

Product Data

INDUSTRY LEADING FEATURES / BENEFITS

A competitively priced and creative solution to design problems.

The **DLCMRBH/ DLCMHBH** ductless inverter driven multi-zone system provides individual comfort control for up to 5 separate zones. Match two, three, four or even five space-saving **High Wall, Cassette, Slim Ducted, Air Handler units** or **Floor Console fan coils** with one outdoor heat pump. The indoor fan coils are connected to the outdoor unit by refrigerant tubing and wires.

Mount different indoor unit styles in several locations to accommodate the application. This selection of fan coils permits inexpensive and creative solutions to design problems such as:

- Adding air conditioning to spaces that are heated by hydronic or electric heat and have no ductwork
- Historical renovations or any application where preserving the look of the original structure is essential
- Commercial add-on jobs where the existing air conditioning system cannot be stretched.

These compact indoor fan coil units take up very little space in the room and do not obstruct windows. The fan coils are attractively styled to blend with most room decors. Advanced system components incorporate innovative technology to provide reliable cooling and heating performance at low sound levels.

TABLE OF CONTENTS

	PAGE
INDUSTRY LEADING FEATURES / BENEFITS	1
MODEL NUMBER NOMENCLATURE.....	3
STANDARD FEATURES AND ACCESSORIES.....	4
DIMENSIONS	5
CLEARANCES	8
PHYSICAL DATA.....	9
PERFORMANCE.....	10
COOLING PERFORMANCE NON-DUCTED.....	11
HEATING PERFORMANCE NON-DUCTED.....	39
COOLING PERFORMANCE DUCTED PLUS NON-DUCTED...47	
HEATING PERFORMANCE DUCTED PLUS NON-DUCTED...75	
COOLING PERFORMANCE DUCTED.....	83
HEATING PERFORMANCE DUCTED.....	111
APPLICATION DATA	119
UNIT MOUNTING (OUTDOOR).....	132
WIRING	133
PIPING REQUIREMENTS.....	134
FAN AND MOTOR SPECIFICATIONS	137
ELECTRICAL DATA.....	137
WIRING DIAGRAMS	138
GUIDE SPECIFICATIONS	146



Fig. 1 — Size 18R



Fig. 2 — Sizes 24HH, 30HH, 36R



Fig. 3 — Sizes 36HH, 48R, 48HH

NOTE: Images are for illustration purposes only. Actual models may differ slightly.

Inverter Technology

The inverter driven compressor is designed to run at various input power frequencies (Hz) which controls the compressor's motor speed.

Even Temperature – The control package, including the inverter, monitors the outdoor and indoor temperatures as they relate to the selected indoor set point and adjusts the compressor speed to match the load and keep the system operating continuously rather than cycling and creating temperature swings. This translates to higher comfort levels for the occupants.

Rapid Pull Down/Warm-Up – Comfort is increased by the inverter system's ability to ramp up the compressor speed enabling the system to reach the user selected room temperature set point quicker.

Humidity Control – Running the system for longer periods and continuously changing the compressor speed enhances the humidity control.

Individual Room Comfort

Maximum comfort is provided because each space can be controlled individually based on the usage pattern.

Low Sound Levels

When noise is a concern, ductless systems are the answer. The indoor units are whisper quiet. There are no compressors indoors, either in the conditioned space or directly over it, and there is none of the noise usually generated by air being forced through the ductwork.

When sound ordinances and proximity to neighbors demand quiet operation, the **DLCMRBH/ DLCMHBH** unit is the right choice. With the inverter technology, these units run at lower speeds, most of the time resulting in reduced sound levels.

Inverter Technology – Enhanced Economical Operation

Ductless systems are inherently economical to operate. Individual rooms are heated or cooled only when required, and since the air is delivered directly to the space, there is no need to use additional energy to move the air in the ductwork. This economical operation is enhanced further when the inverter system output matches the load resulting in a more efficient system.

Easy-To-Use Controls

The multi-zone systems have microprocessor-based controls to provide the ultimate in comfort and efficiency. The user friendly wired and wireless remote controls provide an interface between the user and the unit.

Secure Operation

If security is an issue, outdoor and indoor units are connected only by refrigerant piping and wiring to prevent intruders from crawling through ductwork or wall openings. Since the **DLCMRBH/ DLCMHBH** can be installed close to an outside wall, coils are protected from vandals and severe weather.

Fast Installation

This compact ductless system is simple to install. A mounting bracket is included with the indoor units and only wires and piping need to run between the indoor and outdoor units. These units are fast and easy to install ensuring minimal disruption to customers in homes or the workplace. This makes **DLCMRBH/ DLCMHBH** systems the equipment of choice for retrofit applications.

Simple Servicing and Maintenance

Removing the top panel of the outdoor unit provides immediate access to the control compartment, providing the service technician access to the diagnostic LEDs to facilitate the troubleshooting process. In addition, the draw-thru design of the outdoor unit means that dirt accumulates on the outside surface of the coil. Coils can be cleaned quickly from the inside using a pressure hose and detergent.

On the indoor units, service and maintenance expense is reduced due to the permanent easy to clean filters. Also, error codes appear on the front panel to alert the user to certain system malfunctions.

Built-in Reliability

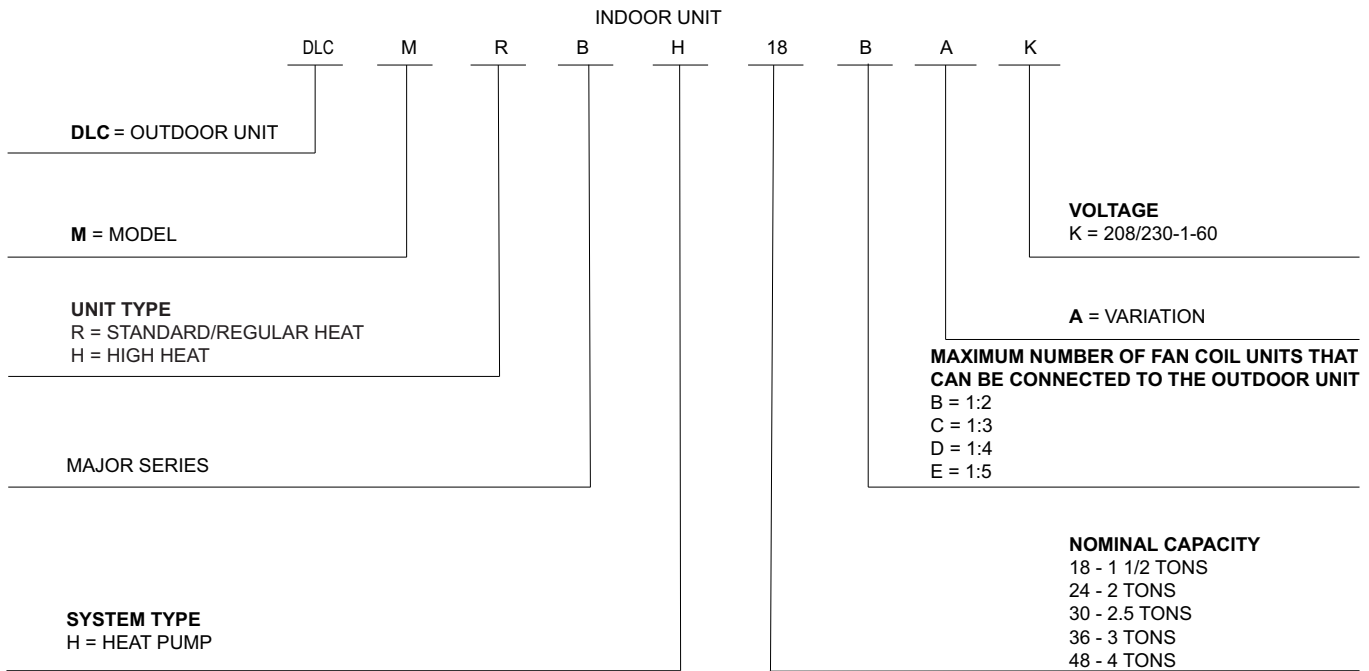
Ductless system indoor and outdoor units are designed to provide years of trouble-free operation. Both the indoor and outdoor units are well protected. Whenever the microprocessor detects abnormal conditions, the unit stops and an error code appears.

Inverter systems provide additional reliability due to the soft start. This refers to the ability of the inverter to start the compressor motor using reduced voltage and reduced current. This feature is beneficial from an electrical standpoint (eliminates current spikes) as well as an overall reliability standpoint due to reduced stress on all associated system components.

Agency Listings

All systems are listed with AHRI (Air conditioning, Heating, and Refrigeration Institute) and are UL/ETL certified per UL 60335-2-40 standard.

MODEL NUMBER NOMENCLATURE



Use of the AHRI Certified TM Mark indicates a manufacturer's participation in the program. For verification of certification for individual products, go to www.ahridirectory.org.



STANDARD FEATURES AND ACCESSORIES

Ease Of Installation	
Low Voltage Controls	S
Comfort Features	
Microprocessor Control	S
Auto Restart Function	S
Auto Changeover	S
Low Ambient Cooling	S
Low Ambient Heating	S
Energy Saving Features	
Inverter Driven Compressor	S
46° F Heating Mode (Heating Setback)	S
Safety And Reliability	
3 Minute Time Delay For Compressor	S
High Compressor Discharge Temperature	S
Low Voltage Protection	S
Compressor Overload Protection	S
Compressor Over Current Protection	S
IPM Module Protection	S
Aluminum Golden Hydrophilic pre-coated fins	S
Ease Of Service And Maintenance	
Diagnostics	S
Error Messages Displayed On Front Panel	S
Application Flexibility	
Crankcase Heater	S
Base pan Heater	S

Outdoor Units

Crankcase Heater

The crankcase heater is standard on all unit sizes. Heater clamps must be placed around the compressor oil sump.

Base pan Heater

The base pan heater is standard on all unit sizes.

Legend

S - Standard

A - Accessory

ACCESSORIES

Outdoor Unit Model Number	Sizes	Base Pan Base Rubber Plugs RCD Part No.	Qty. per Unit
DLCMRBH18BAK	18K (18R)	12600801A00077	25
DLCMHBH24CAK DLCMHBH30DAK DLCMRBH36DAK	24K (24HH) 30K (30HH) 36K (36R)	12600801A00117	5
DLCMHBH36DAK DLCMRBH48EAK DLCMHBH48EAK	36K (36HH) 48K (48R) 48K (48HH)	12600801A00118	5

NOTE: The basepan is built in with multiple holes for proper draining during defrost. For applications where it is required to seal these holes, and re-direct the condensate drain, rubber plugs are available through RCD.

DIMENSIONS

SYSTEM SIZE		18R (STANDARD)	24HH (HIGH HEAT)	30HH (HIGH HEAT)	36R (STANDARD)	36HH (HIGH HEAT)	48R (STANDARD)	48HH (HIGH HEAT)
Input Voltage	V	208/230						
Height (H)	in (mm)	26.50(673)	31.89(810)	31.89(810)	31.89(810)	52.48(1333)	52.48(1333)	52.48(1333)
Width (W)	in (mm)	35.04(890)	37.24(946)	37.24(946)	37.24(946)	37.48(952)	37.48(952)	37.48(952)
Depth (D)	in (mm)	13.46(342)	16.14(410)	16.14(410)	16.14(410)	16.34(415)	16.34(415)	16.34(415)
Weight - Net	lbs. (kg)	100.31(45.5)	139.77(63.4)	169.09(76.7)	169.09(76.7)	223.1(101.2)	225.5(102.3)	238.32(108.1)
PACKAGING								
Height	in (mm)	29.53(750)	34.84(885)	34.84(885)	34.84(885)	58.27(1480)	58.27(1480)	58.27(1480)
Width	in (mm)	40.55(1030)	42.91(1090)	42.91(1090)	42.91(1090)	43.11(1095)	43.11(1095)	43.11(1095)
Depth	in (mm)	17.24(438)	19.69(500)	19.69(500)	19.69(500)	19.49(495)	19.49(495)	19.49(495)
Weight-Gross	lbs. (kg)	108.69(49.3)	150.57(68.3)	181.44(82.3)	181.44(82.3)	254(115.2)	256.6(116.4)	269.84(122.4)
Carton Drawing No.	--	ZXW-1015*423*715S-NS(V4)	ZXW-1075*485*860S-NS(V4)	ZXW-1075*485*860S-NS(V4)	ZXW-1075*485*860S-NS(V4)	ZXW-1080*480*1365S-NS1	ZXW-1080*480*1365S-NS1	ZXW-1080*480*1365S-NS1
Carton Material	--	Corrugated fiber board						
Material Thickness	in (mm)	0.28 (7)	0.28 (7)	0.28 (7)	0.28 (7)	0.28 (7)	0.28 (7)	0.28 (7)

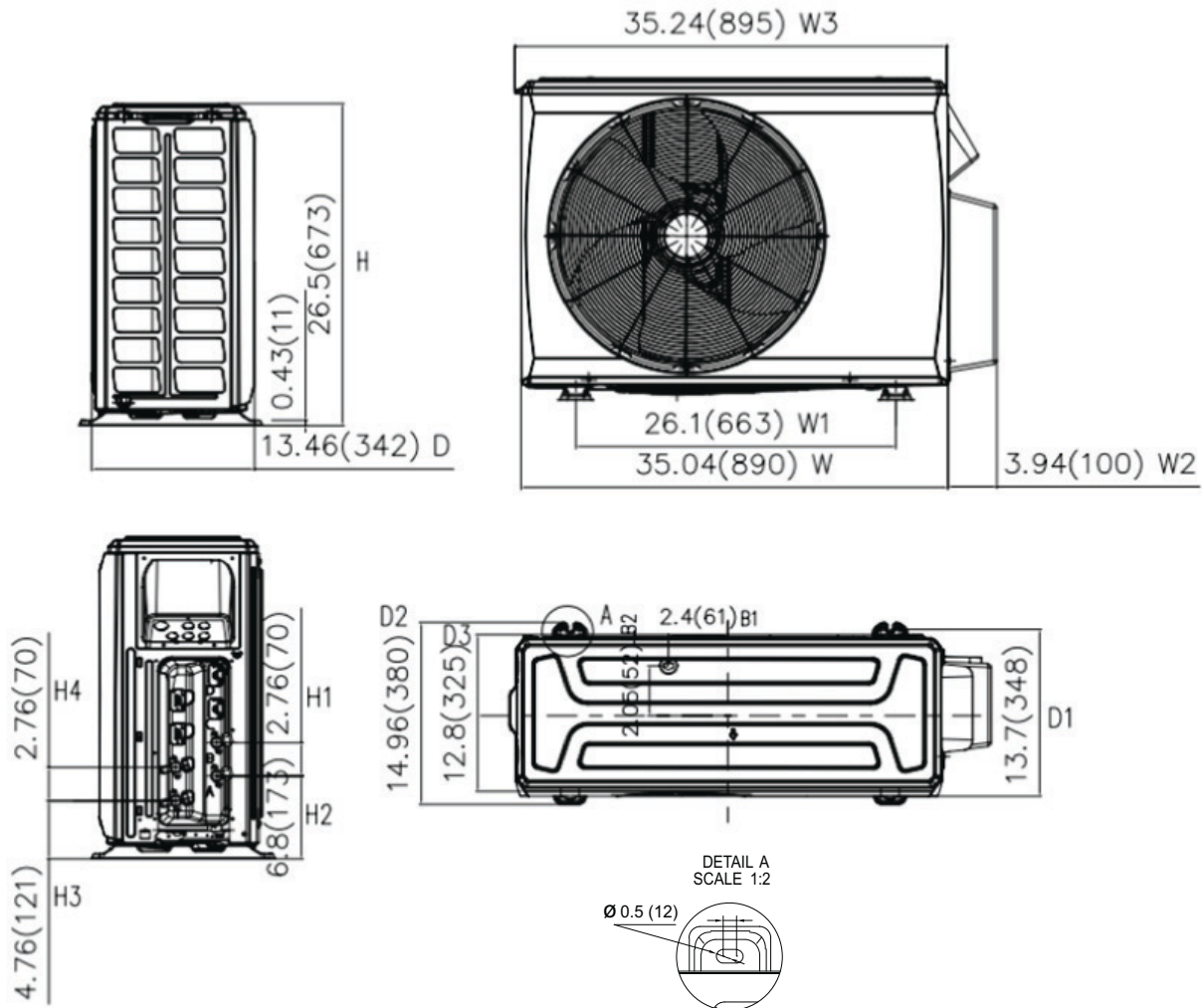
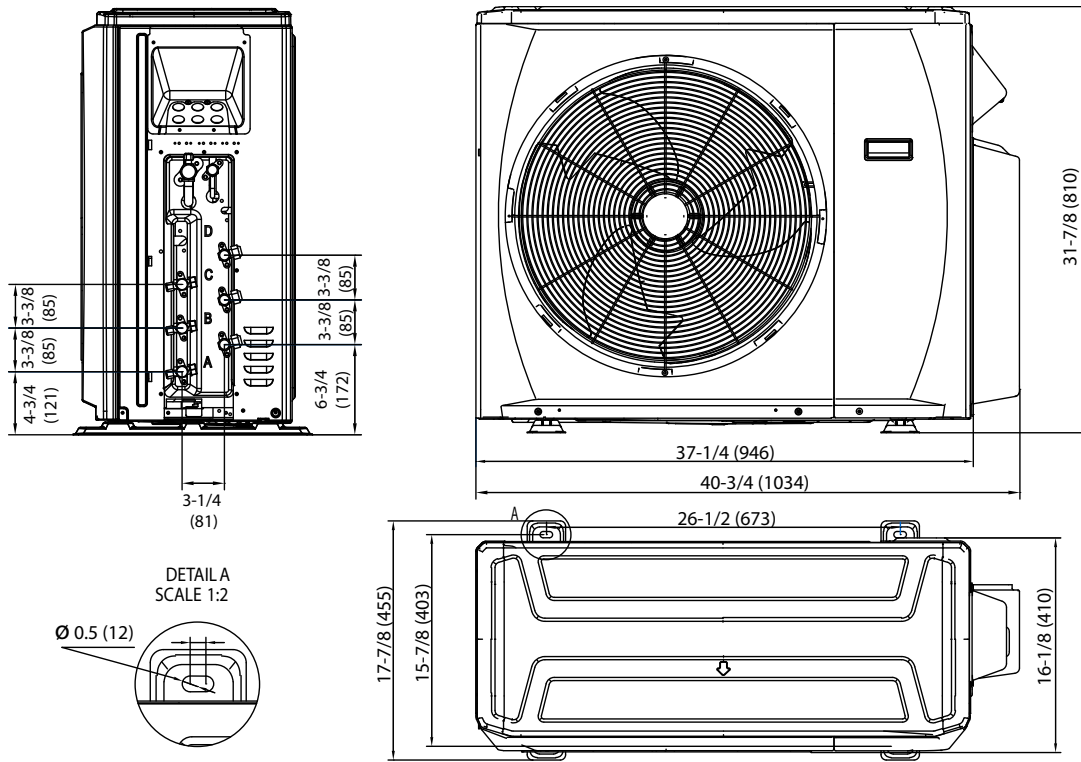


Fig. 4 — Outdoor Dimensions Size 18R (Standard)

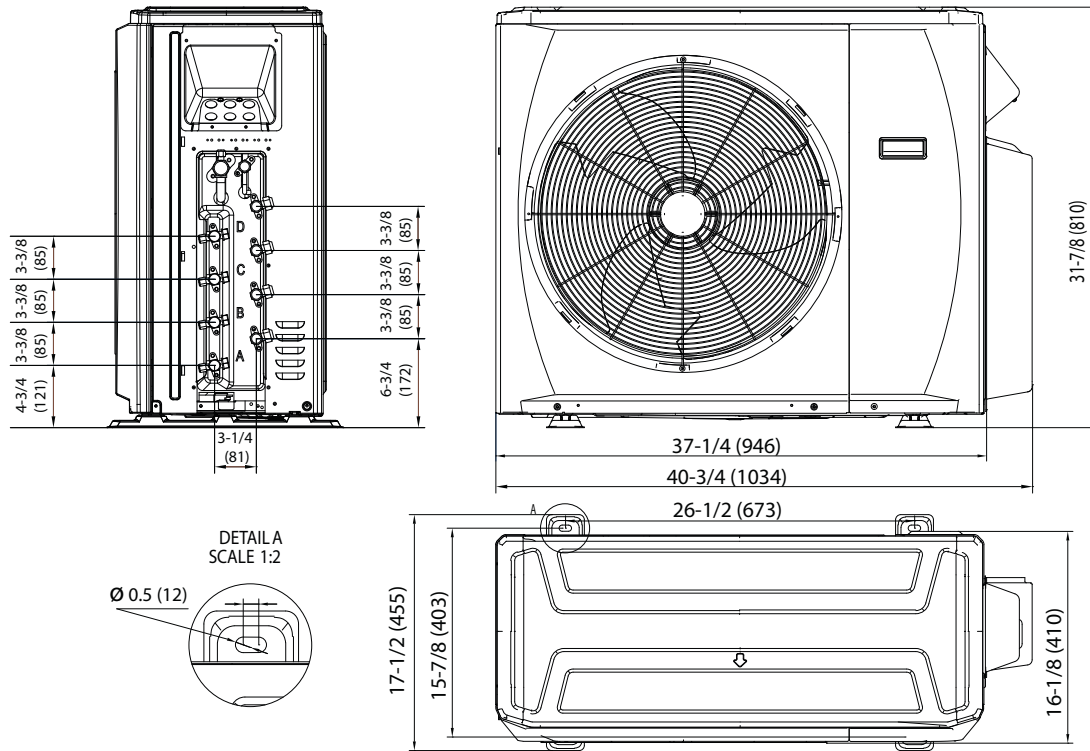
NOTE: Master valves are not available on the 18R unit.

DIMENSIONS (CONT)



Dimensions: shown in inches (mm)

Fig. 5 — Outdoor Dimensions Size 24HH (High Heat)



Dimensions: shown in inches (mm)

Fig. 6 — Outdoor Dimensions Sizes 30HH (High Heat) and 36R (Standard)

DIMENSIONS (CONT)

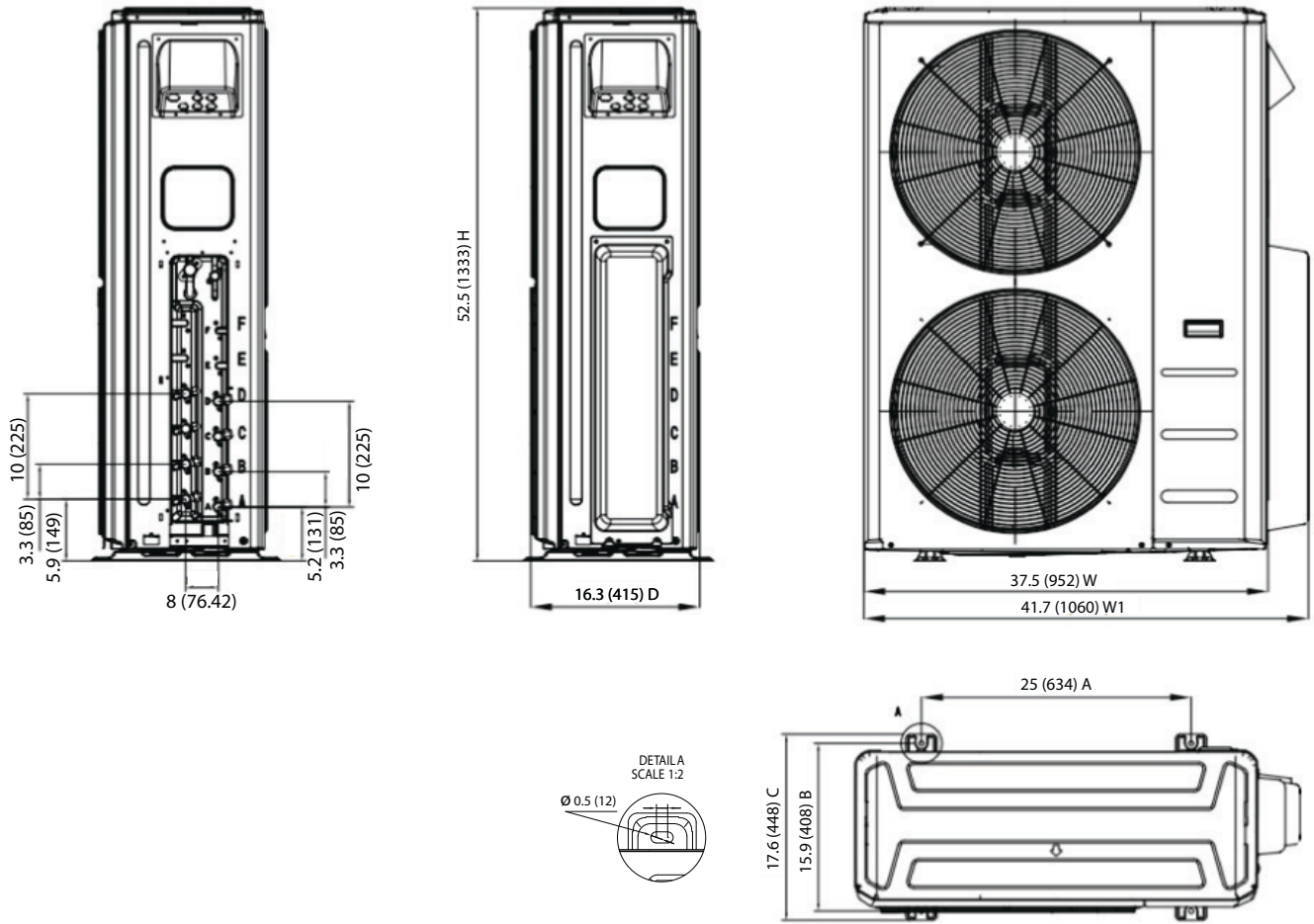


Fig. 7 — Outdoor Dimensions Size 36HH (High Heat), 48R (Standard), and 48HH (High Heat)

CLEARANCES

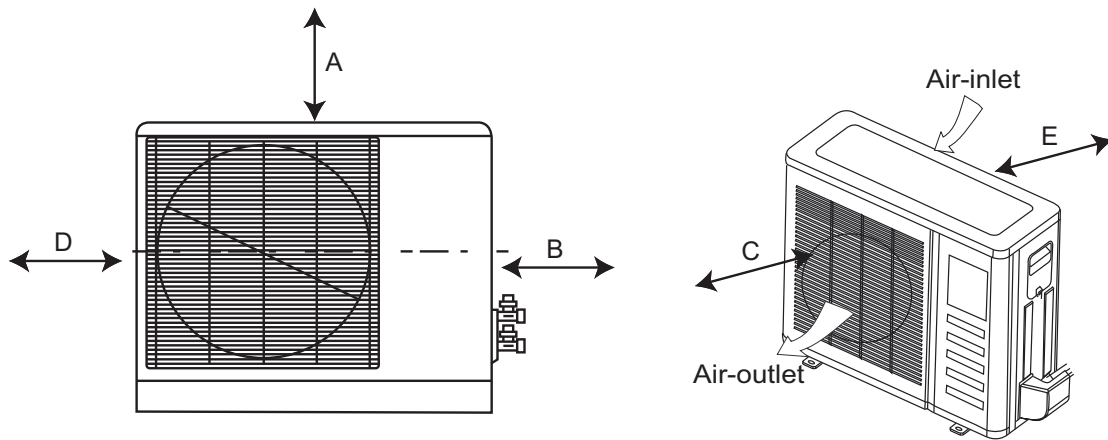


Fig. 8 — Clearances

UNIT	MINIMUM VALUE in. (mm)
A	24 (609)
B	24 (609)
C	24 (609)
D	4 (101)
E	6 (152)

NOTE: The outdoor unit must be mounted at least 2in (50mm) above the maximum anticipated snow depth.

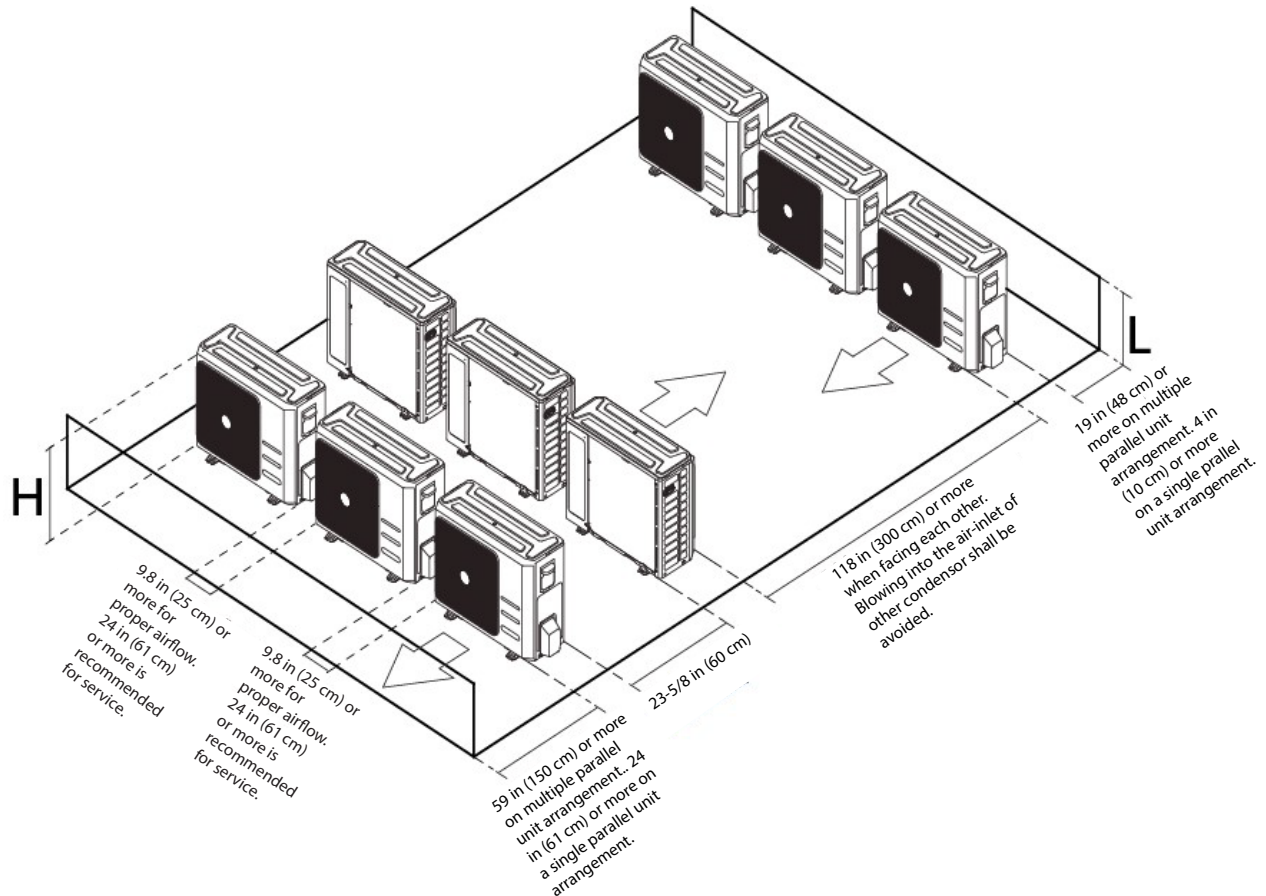


Fig. 9 — Clearances for multiple units

PHYSICAL DATA

SYSTEM	SIZE		18R	24HH	30HH	36R	36HH	48R	48HH
	Max Zone Number		2	3	4	4	4	5	5
OPERATING RANGE	Cooling Outdoor DB Min - Max	°F(°C)	5~122 (-30~50)						
	Heating Outdoor DB Min - Max	°F(°C)	-13~75 (-30~24)	-22~75 (-30~24)	-22~75 (-30~24)	-13~75 (-30~24)	-22~75 (-30~24)	-13~75 (-30~24)	-22~75 (-30~24)
PIPING	Total Piping Length	ft (m)	131 (40)	197 (60)	262 (80)	262 (80)	262 (80)	328 (100)	328 (100)
	Piping to furthest FCU	ft (m)	82 (25)	98 (30)	115 (35)	115 (35)	115 (35)	115 (35)	115 (35)
	Drop (OD above ID)	ft (m)	49 (15)	49 (15)	49 (15)	49 (15)	65 (20)	65 (20)	65 (20)
	Lift (OD below ID)	ft (m)	49 (15)	49 (15)	49 (15)	49 (15)	65 (20)	65 (20)	65 (20)
	Pipe Connection Size - Liquid	in (mm)	1/4*2 (6.35*2)	1/4*3 (6.35*3)	1/4*4 (6.35*4)	1/4*4 (6.35*4)	1/4*4 (6.35*4)	1/4*5 (6.35*5)	1/4*5 (6.35*5)
	Pipe Connection Size - Suction	in (mm)	3/8*2 (9.52*2)	3/8*3 (9.52*3)	1/2 *1+ 3/8*3 (12.7*1+9.52*3)		1/2 *2+ 3/8*2 (12.7*2+9.52*2)	1/2 *2+ 3/8*3 (12.7*2+9.52*3)	
REFRIGERANT	Type		R410A						
	Charge	lbs (kg)	4.08 (1.85)	5.73 (2.6)	8.38 (3.8)	8.38 (3.8)	10.14 (4.6)	10.14 (4.6)	10.14 (4.6)
	Metering Device		EXV						
ELECTRICAL	Voltage, Phase, Cycle	V/Ph/Hz	208/230-1-60						
	Power Supply		Indoor unit powered from outdoor unit						
	MCA	A.	18	24.5	25	25	40	40	40
	Recommended Fuse Size	A.	20	25	30	30	45	45	45
	MOCP - Fuse Rating	A.	25	30	40	40	60	60	60
COMPRESSOR	Type		Rotary Inverter						
	Model		KTN150D30UFZA	KTM240D43UKT	KTF310D43UMT	KTF310D43UMT	ATQ360D1UMU	ATQ360D1UMU	EAPQ420D1U-MUA
	Oil Type		ESTER OIL VG74						
	Oil Charge	Fl. Oz.	15.2	21	33.8	33.8	47.4	47.4	49.4
	Rated Current	RLA	11	14	18	18	24	24	30
OUTDOOR	Unit Width	in (mm)	35.04 (890)	37.24 (946)	37.24 (946)	37.24 (946)	37.48 (952)	37.48 (952)	37.48 (952)
	Unit Height	in (mm)	26.50 (673)	31.89 (810)	31.89 (810)	31.89 (810)	52.48 (1333)	52.48 (1333)	52.48 (1333)
	Unit Depth	in (mm)	13.46 (342)	16.14 (410)	16.14 (410)	16.14 (410)	16.34 (415)	16.34 (415)	16.34 (415)
	Net Weight	lbs (kg)	100.31 (45.5)	139.77 (63.4)	169.09 (76.7)	169.09 (76.7)	223.1 (101.2)	225.5 (102.3)	238.32 (108.1)
	Airflow	CFM	1,765	2,129	2,147	2,147	4,500	4,500	4,500
	Sound Pressure	dB(A)	59	61	63	63	64	64	65

PERFORMANCE

System	Size	18R	24HH	30HH	36R	36HH	48R	48HH
	Outdoor Model	DLCMRBH18BAK	DLCMHBH24CAK	DLCMHBH30DAK	DLCMRBH36DAK	DLCMHBH36DAK	DLCMRBH48EAK	DLCMHBH48EAK
	Max Number of Zones	2	3	4	4	4	5	5
Performance Non-Ducted	Energy Star	YES	YES	YES	NO	YES	YES	NO
	Cooling System Tons	1.5	2	2.5	3	3	4	4
	Cooling Rated Cap.	Btu/h 18,000	24,000	30,000	36,000	36,000	48,000	48,000
	Cooling Cap. Range Min - Max	Btu/h 5,600~22,000	9,500~32,100	9,400~41,800	8,200~41,600	9,600~45,100	9,900~53,200	9,700~53,300
	SEER	Btu/h 22.5	24.1	25	23	21.8	22.4	21.5
	SEER2	Btu/h 22.9	24.6	26	23.9	22.2	23.4	21.8
	EER	Btu/h 13.3	13.1	12.5	11.5	13.6	12.5	11.6
	EER2 (DOE A2 - 95°F)	Btu/h 13.9	13.4	13	11.7	13.6	12.5	11.7
	EER2 (DOE B2 - 82°F)	Btu/h 18.7	17.33	18.5	14.4	18	15	14
	Heating Rated Cap. (47°F)	Btu/h 19,000	25,000	30,000	37,000	36,500	48,000	49,000
	Heating Rated Cap. (17°F)	Btu/h 11,000	16,300	17,500	23,500	23,200	29,600	30,000
	Heating Rated Cap. (5°F)	Btu/h 12,400	18,300	23,300	23,900	29,500	29,500	48,000
	Heating Max. Cap. (5°F)	Btu/h 12,400	23,000	29,400	23,900	36,000	36,000	48,000
	Heating Cap. Range Min - Max	Btu/h 5,000~24,400	8,400~34,000	8,100~41,400	8,000~44,700	12,500~49,000	12,500~52,000	11,500~58,000
	HSPF	10.6	11	11.3	11.3	11	11	11
	COP (47°F)	W/W 3.92	4.1	3.81	3.61	3.85	3.6	3.59
	COP (17°F)	W/W 2.78	2.8	2.82	2.64	2.78	2.6	2.5
COP (5°F) - Rated	W/W 1.8	1.8	1.9	1.8	1.8	1.8	2	
COP (5°F) - Maximum	W/W 1.75	1.75	1.9	1.75	1.75	1.75	2	
Performance Combination Ducted and Non-Ducted	Energy Star	YES	YES	NO	NO	YES	NO	NO
	Cooling System Tons	1.5	2	2.5	3	3	4	4
	Cooling Rated Cap.	Btu/h 18,000	24,000	30,000	36,000	36,000	48,000	48,000
	Cooling Cap. Range Min - Max	Btu/h 4,700~22,200	7,800~31,400	8,700~40,700	8,400~41,400	9,700~43,200	10,200~53,600	9,900~53,400
	SEER	Btu/h 20.8	22.6	22.4	21.3	20.4	21.5	20.9
	SEER2	Btu/h 19	21.3	20	20	19	20.5	20.9
	EER	Btu/h 12.7	12.8	12.1	11.3	12.5	11.3	11.5
	EER2 (DOE A2 - 95°F)	Btu/h 12	12.5	12	11	11.7	10.8	11.7
	EER2 (DOE B2 - 82°F)	Btu/h 15.6	15.5	15	13.7	15	12.5	14
	Heating Rated Cap. (47°F)	Btu/h 19,000	24,500	30,000	37,000	36,750	49,000	49,500
	Heating Rated Cap. (17°F)	Btu/h 11,350	15,650	17,900	23,250	23,100	29,300	29,000
	Heating Rated Cap. (5°F)	Btu/h 12,700	18,000	23,500	23,900	28,700	28,700	48,000
	Heating Max. Cap. (5°F)	Btu/h 12,700	22,000	29,000	23,900	36,000	36,000	48,000
	Heating Cap. Range Min - Max	Btu/h 4,600~25,100	7,800~33,800	7,385~42,300	7,400~45,700	12,900~48,000	14,000~54,000	11,750~58,500
	HSPF	10.7	10.8	10.7	11	11	10.6	10.8
	COP (47°F)	W/W 3.86	3.96	3.81	3.61	3.8	3.59	3.73
	COP (17°F)	W/W 2.78	2.85	2.79	2.64	2.65	2.61	2.48
COP (5°F) - Rated	W/W 1.75	1.85	1.88	1.72	1.7	1.7	1.9	
COP (5°F) - Maximum	W/W 1.75	1.85	1.88	1.72	1.8	1.8	1.9	
Performance Ducted	Energy Star	NO	YES	NO	NO	NO	NO	NO
	Cooling System Tons	1.5	2	2.5	3	3	4	4
	Cooling Rated Cap.	Btu/h 18,000	24,000	30,000	36,000	36,000	48,000	48,000
	Cooling Cap. Range Min - Max	Btu/h 3,800~22,400	6,100~30,700	8,100~39,500	8,700~41,300	9,800~47,000	10,500~54,000	10,200~53,500
	SEER	19	21.1	19.8	19.5	19	20.5	20.2
	SEER2	21.0	22.95	23.00	21.95	20.60	21.95	21.35
	EER	12	12.5	11.6	11	11.3	10.1	11.4
	EER2 (DOE A2 - 95°F)	12.95	12.95	12.50	11.35	12.65	11.65	11.70
	EER2 (DOE B2 - 82°F)	17.15	16.42	16.75	14.05	16.40	13.75	14.00
	Heating Rated Cap.(47°F)	Btu/h 19,000	24,000	30,000	37,000	37,000	50,000	50,000
	Heating Rated Cap.(17°F)	Btu/h 11,700	15,000	18,300	23,000	23,000	29,000	28,000
	Heating Rated Cap. (5°F)	Btu/h 13,000	17,500	23,600	24,000	28,000	28,000	48,000
	Heating Max. Cap. (5°F)	Btu/h 13,000	21,500	28,600	24,000	36,000	36,000	48,000
	Heating Cap. Range Min - Max	Btu/h 4,300~25,800	7,300~33,700	6,600~43,200	6,900~46,700	13,300~47,000	15,500~56,000	12,000~59,000
	HSPF	10.8	10.5	10	10.7	11	10.1	10.5
	COP (47°F)	W/W 3.8	3.81	3.81	3.6	3.74	3.57	3.86
	COP (17°F)	W/W 2.78	2.85	2.75	2.64	2.52	2.62	2.45
COP (5°F) - Rated	W/W 1.75	1.95	1.85	1.68	1.7	1.7	1.85	
COP (5°F) - Maximum	W/W 1.75	1.95	1.85	1.68	1.8	1.8	1.85	

NOTE: See the current compatibility chart for a list of the indoor and outdoor unit match ups.

COOLING PERFORMANCE NON-DUCTED

“COOLING PERFORMANCE 18R (STANDARD)” on page 11

“COOLING PERFORMANCE 24HH (HIGH HEAT)” on page 15

“COOLING PERFORMANCE 30HH (HIGH HEAT).” on page 19

“COOLING PERFORMANCE 36R (STANDARD)” on page 23

“COOLING PERFORMANCE 36HH (HIGH HEAT)” on page 27

“COOLING PERFORMANCE 48R (STANDARD)” on page 31

“COOLING PERFORMANCE 48HH (HIGH HEAT)” on page 35

COOLING PERFORMANCE 18R (STANDARD)

NON-DUCTED COOLING PERFORMANCE 18R (Sheet 1 of 4)

AIRFLOW (CFM)	OUTDOOR DB (°F)	ID WB (°F) ID DB (°F)	60.8				64.4				66.2				71.6			
			73.4	77.0	80.6	84.2	73.4	77.0	80.6	84.2	73.4	77.0	80.0	84.20	73.4	77.0	80.6	84.2
328	-22	TC	10710	10724	10736	10750	11353	11367	11380	11394	12032	12047	12063	12076	12757	12771	12787	12803
		S/T	0.22	0.25	0.29	0.33	0.23	0.27	0.31	0.35	0.24	0.28	0.32	0.37	0.26	0.30	0.34	0.39
		PI	0.64	0.64	0.64	0.64	0.68	0.68	0.68	0.68	0.72	0.72	0.72	0.72	0.76	0.76	0.76	0.76
	-10	TC	10630	10645	10657	10671	11269	11283	11296	11309	11943	11958	11974	11987	12663	12676	12692	12708
		S/T	0.22	0.26	0.29	0.33	0.23	0.27	0.31	0.35	0.24	0.29	0.33	0.37	0.26	0.30	0.35	0.39
		PI	0.65	0.65	0.65	0.65	0.69	0.69	0.69	0.69	0.73	0.73	0.73	0.73	0.77	0.77	0.77	0.77
	0	TC	10564	10579	10590	10605	11199	11213	11226	11239	11869	11884	11899	11913	12584	12598	12613	12629
		S/T	0.22	0.26	0.29	0.33	0.23	0.27	0.31	0.35	0.25	0.29	0.33	0.37	0.26	0.31	0.35	0.40
		PI	0.65	0.65	0.65	0.66	0.69	0.69	0.69	0.69	0.73	0.73	0.74	0.74	0.78	0.78	0.78	0.78
	5	TC	10531	10546	10557	10572	11164	11178	11191	11204	11831	11847	11862	11875	12545	12558	12574	12590
		S/T	0.22	0.26	0.29	0.33	0.23	0.27	0.31	0.35	0.25	0.29	0.33	0.37	0.26	0.31	0.35	0.40
		PI	0.66	0.66	0.66	0.66	0.70	0.70	0.70	0.70	0.74	0.74	0.74	0.74	0.78	0.78	0.78	0.78
	14	TC	10472	10486	10498	10512	11101	11115	11128	11141	11765	11780	11795	11809	12474	12488	12503	12519
		S/T	0.22	0.26	0.29	0.34	0.23	0.27	0.31	0.36	0.25	0.29	0.33	0.38	0.26	0.31	0.35	0.40
		PI	0.66	0.66	0.66	0.66	0.70	0.70	0.70	0.70	0.74	0.75	0.75	0.75	0.79	0.79	0.79	0.79
	17	TC	10452	10466	10478	10492	11080	11094	11107	11120	11743	11758	11773	11786	12450	12464	12479	12495
		S/T	0.22	0.26	0.29	0.34	0.23	0.27	0.31	0.36	0.25	0.29	0.33	0.38	0.26	0.31	0.35	0.40
		PI	0.66	0.67	0.67	0.67	0.70	0.71	0.71	0.71	0.75	0.75	0.75	0.75	0.79	0.79	0.79	0.79
	23	TC	10426	10440	10452	10466	11052	11066	11079	11092	11713	11728	11743	11756	12419	12432	12448	12463
		S/T	0.22	0.26	0.30	0.34	0.24	0.28	0.31	0.36	0.25	0.29	0.33	0.38	0.26	0.31	0.35	0.40
		PI	0.67	0.67	0.67	0.67	0.71	0.71	0.71	0.71	0.75	0.75	0.75	0.75	0.79	0.80	0.80	0.80
	32	TC	10386	10400	10412	10426	11010	11023	11037	11050	11668	11684	11699	11712	12372	12385	12401	12416
		S/T	0.22	0.26	0.30	0.34	0.24	0.28	0.31	0.36	0.25	0.29	0.33	0.38	0.27	0.31	0.35	0.40
		PI	0.67	0.67	0.67	0.67	0.71	0.71	0.71	0.71	0.75	0.76	0.76	0.76	0.80	0.80	0.80	0.80
	41	TC	10333	10347	10359	10373	10954	10967	10980	10993	11609	11624	11639	11652	12309	12322	12338	12353
		S/T	0.22	0.26	0.30	0.34	0.24	0.28	0.32	0.36	0.25	0.30	0.34	0.38	0.27	0.31	0.36	0.41
		PI	0.68	0.68	0.68	0.68	0.72	0.72	0.72	0.72	0.76	0.76	0.76	0.76	0.81	0.81	0.81	0.81
	47	TC	10294	10308	10319	10333	10913	10925	10938	10951	11565	11580	11595	11608	12262	12275	12290	12306
		S/T	0.22	0.26	0.30	0.34	0.24	0.28	0.32	0.36	0.25	0.30	0.34	0.38	0.27	0.31	0.36	0.41
		PI	0.68	0.68	0.68	0.68	0.72	0.72	0.72	0.72	0.76	0.77	0.77	0.77	0.81	0.81	0.81	0.81
	50	TC	10287	10300	10312	10326	10905	10918	10931	10944	11557	11572	11587	11600	12253	12267	12282	12297
		S/T	0.23	0.26	0.30	0.34	0.24	0.28	0.32	0.36	0.25	0.30	0.34	0.38	0.27	0.31	0.36	0.41
		PI	0.68	0.68	0.68	0.68	0.72	0.72	0.72	0.72	0.77	0.77	0.77	0.77	0.81	0.81	0.81	0.81
	59	TC	10265	10279	10290	10304	10882	10895	10908	10921	11532	11547	11562	11575	12228	12241	12256	12271
		S/T	0.23	0.27	0.30	0.34	0.24	0.28	0.32	0.36	0.25	0.30	0.34	0.39	0.27	0.32	0.36	0.41
		PI	0.68	0.68	0.69	0.69	0.72	0.73	0.73	0.73	0.77	0.77	0.77	0.77	0.81	0.82	0.82	0.82
	68	TC	10244	10257	10269	10283	10859	10872	10885	10898	11508	11523	11538	11551	12202	12215	12230	12246
		S/T	0.23	0.27	0.30	0.35	0.24	0.28	0.32	0.37	0.26	0.30	0.34	0.39	0.27	0.32	0.36	0.41
		PI	0.69	0.69	0.69	0.69	0.73	0.73	0.73	0.73	0.77	0.77	0.77	0.77	0.82	0.82	0.82	0.82
	77	TC	10222	10236	10247	10261	10836	10849	10862	10875	11484	11499	11514	11527	12176	12189	12205	12220
		S/T	0.23	0.27	0.31	0.35	0.25	0.29	0.33	0.38	0.26	0.31	0.35	0.40	0.28	0.33	0.37	0.42
		PI	0.69	0.69	0.69	0.69	0.73	0.73	0.73	0.73	0.77	0.77	0.77	0.78	0.82	0.82	0.82	0.82
86	TC	10075	10089	10100	10114	10681	10693	10706	10719	11319	11334	11348	11361	12001	12014	12029	12044	
	S/T	0.24	0.28	0.32	0.36	0.25	0.29	0.33	0.38	0.27	0.31	0.35	0.40	0.28	0.33	0.38	0.43	
	PI	0.79	0.79	0.79	0.79	0.83	0.83	0.84	0.84	0.88	0.88	0.89	0.89	0.94	0.94	0.94	0.94	
95	TC	10025	10038	10049	10063	10627	10640	10652	10665	11262	11277	11291	11304	11941	11954	11969	11984	
	S/T	0.24	0.28	0.32	0.37	0.26	0.30	0.34	0.39	0.27	0.32	0.36	0.41	0.29	0.34	0.39	0.44	
	PI	0.81	0.81	0.81	0.81	0.86	0.86	0.86	0.86	0.91	0.91	0.91	0.91	0.97	0.97	0.97	0.97	
104	TC	7718	7729	7737	7748	8182	8192	8202	8211	8671	8682	8694	8703	9194	9204	9215	9227	
	S/T	0.25	0.30	0.34	0.39	0.27	0.32	0.36	0.41	0.29	0.34	0.38	0.43	0.30	0.36	0.40	0.46	
	PI	1.69	1.69	1.69	1.69	1.79	1.79	1.79	1.79	1.89	1.90	1.90	1.90	2.01	2.01	2.01	2.02	
114.8	TC	4951	4958	4963	4970	5248	5255	5261	5267	5562	5569	5577	5583	5897	5904	5911	5919	
	S/T	0.26	0.30	0.34	0.39	0.27	0.32	0.36	0.42	0.29	0.34	0.39	0.44	0.31	0.36	0.41	0.47	
	PI	2.74	2.74	2.74	2.75	2.90	2.91	2.91	2.91	3.08	3.08	3.08	3.09	3.26	3.26	3.27	3.27	
122	TC	3106	3110	3114	3118	3293	3297	3300	3304	3489	3494	3498	3502	3700	3704	3708	3713	
	S/T	0.27	0.31	0.36	0.41	0.28	0.33	0.38	0.43	0.30	0.35	0.40	0.46	0.32	0.37	0.42	0.48	
	PI	3.44	3.44	3.45	3.45	3.64	3.65	3.65	3.66	3.86	3.87	3.87	3.88	4.10	4.10	4.10	4.11	

NON-DUCTED COOLING PERFORMANCE 18R (Sheet 2 of 4)

AIRFLOW (CFM)	OUTDOOR DB (°F)	ID WB (°F) ID DB (°F)	60.8				64.4				66.2				71.6			
			73.4	77.0	80.6	84.2	73.4	77.0	80.6	84.2	73.4	77.0	80.0	84.20	73.4	77.0	80.6	84.2
			TC	S/T	PI	TC	S/T	PI	TC	S/T	PI	TC	S/T	PI	TC	S/T	PI	TC
427	-22	TC	13804	13823	13838	13857	14634	14651	14668	14686	15508	15528	15548	15566	16443	16461	16481	16502
		S/T	0.32	0.38	0.43	0.49	0.34	0.40	0.45	0.52	0.36	0.42	0.48	0.55	0.38	0.45	0.51	0.58
		PI	0.94	0.94	0.94	0.95	1.00	1.00	1.00	1.00	1.06	1.06	1.06	1.06	1.12	1.12	1.13	1.13
	-10	TC	13702	13720	13736	13754	14525	14543	14560	14577	15393	15413	15433	15451	16321	16339	16359	16380
		S/T	0.32	0.38	0.43	0.49	0.34	0.40	0.46	0.52	0.36	0.43	0.48	0.55	0.38	0.45	0.51	0.58
		PI	0.95	0.96	0.96	0.96	1.01	1.01	1.01	1.02	1.07	1.07	1.07	1.08	1.14	1.14	1.14	1.14
	0	TC	13617	13635	13650	13669	14435	14452	14469	14487	15298	15318	15338	15355	16220	16238	16258	16278
		S/T	0.32	0.38	0.43	0.49	0.34	0.40	0.46	0.52	0.36	0.43	0.49	0.55	0.39	0.45	0.52	0.59
		PI	0.96	0.97	0.97	0.97	1.02	1.02	1.02	1.03	1.08	1.08	1.09	1.09	1.15	1.15	1.15	1.15
	5	TC	13574	13593	13608	13626	14390	14407	14424	14441	15250	15270	15290	15307	16169	16187	16207	16227
		S/T	0.33	0.38	0.43	0.50	0.35	0.41	0.46	0.52	0.37	0.43	0.49	0.56	0.39	0.46	0.52	0.59
		PI	0.97	0.97	0.97	0.97	1.03	1.03	1.03	1.03	1.09	1.09	1.09	1.09	1.15	1.16	1.16	1.16
	14	TC	13498	13516	13531	13549	14309	14326	14343	14360	15164	15184	15204	15220	16078	16096	16116	16136
		S/T	0.33	0.38	0.44	0.50	0.35	0.41	0.46	0.53	0.37	0.43	0.49	0.56	0.39	0.46	0.52	0.59
		PI	0.98	0.98	0.98	0.98	1.04	1.04	1.04	1.04	1.10	1.10	1.10	1.10	1.17	1.17	1.17	1.17
	17	TC	13472	13490	13505	13524	14282	14299	14316	14333	15135	15155	15175	15192	16048	16065	16085	16105
		S/T	0.33	0.38	0.44	0.50	0.35	0.41	0.46	0.53	0.37	0.43	0.49	0.56	0.39	0.46	0.52	0.59
		PI	0.98	0.98	0.98	0.98	1.04	1.04	1.04	1.04	1.10	1.10	1.11	1.11	1.17	1.17	1.17	1.17
	23	TC	13438	13456	13471	13490	14246	14263	14280	14297	15097	15117	15136	15153	16007	16025	16045	16065
		S/T	0.33	0.39	0.44	0.50	0.35	0.41	0.46	0.53	0.37	0.43	0.49	0.56	0.39	0.46	0.52	0.60
		PI	0.99	0.99	0.99	0.99	1.04	1.05	1.05	1.05	1.11	1.11	1.11	1.11	1.17	1.17	1.18	1.18
	32	TC	13387	13405	13420	13438	14192	14209	14225	14242	15040	15059	15079	15096	15947	15964	15984	16004
		S/T	0.33	0.39	0.44	0.50	0.35	0.41	0.47	0.53	0.37	0.44	0.50	0.56	0.39	0.46	0.53	0.60
		PI	0.99	0.99	0.99	0.99	1.05	1.05	1.05	1.05	1.11	1.11	1.12	1.12	1.18	1.18	1.18	1.18
	41	TC	13319	13337	13352	13370	14120	14136	14153	14170	14963	14983	15002	15019	15865	15883	15902	15922
		S/T	0.33	0.39	0.44	0.51	0.35	0.41	0.47	0.54	0.37	0.44	0.50	0.57	0.40	0.46	0.53	0.60
		PI	1.00	1.00	1.00	1.00	1.06	1.06	1.06	1.06	1.12	1.12	1.13	1.13	1.19	1.19	1.19	1.19
	47	TC	13268	13286	13301	13319	14066	14082	14099	14116	14906	14925	14945	14962	15805	15822	15842	15861
		S/T	0.33	0.39	0.44	0.51	0.35	0.41	0.47	0.54	0.37	0.44	0.50	0.57	0.40	0.47	0.53	0.60
		PI	1.01	1.01	1.01	1.01	1.07	1.07	1.07	1.07	1.13	1.13	1.13	1.13	1.20	1.20	1.20	1.20
	50	TC	13259	13277	13292	13310	14056	14072	14089	14106	14896	14915	14934	14951	15794	15811	15830	15850
		S/T	0.33	0.39	0.45	0.51	0.35	0.42	0.47	0.54	0.38	0.44	0.50	0.57	0.40	0.47	0.53	0.60
		PI	1.01	1.01	1.01	1.01	1.07	1.07	1.07	1.07	1.13	1.13	1.13	1.13	1.20	1.20	1.20	1.20
	59	TC	13231	13249	13264	13282	14026	14043	14060	14076	14864	14884	14903	14920	15761	15778	15797	15817
		S/T	0.34	0.39	0.45	0.51	0.36	0.42	0.47	0.54	0.38	0.44	0.50	0.57	0.40	0.47	0.53	0.61
		PI	1.01	1.01	1.01	1.01	1.07	1.07	1.07	1.07	1.13	1.14	1.14	1.14	1.20	1.20	1.21	1.21
	68	TC	13203	13221	13236	13254	13997	14013	14030	14047	14833	14853	14872	14888	15727	15745	15764	15784
		S/T	0.34	0.40	0.45	0.51	0.36	0.42	0.48	0.54	0.38	0.44	0.51	0.58	0.40	0.47	0.54	0.61
		PI	1.01	1.01	1.02	1.02	1.07	1.07	1.08	1.08	1.14	1.14	1.14	1.14	1.21	1.21	1.21	1.21
	77	TC	13175	13193	13208	13226	13967	13984	14001	14017	14802	14821	14841	14857	15694	15711	15731	15751
		S/T	0.35	0.41	0.46	0.53	0.37	0.43	0.49	0.56	0.39	0.46	0.52	0.59	0.41	0.48	0.55	0.63
		PI	1.02	1.02	1.02	1.02	1.08	1.08	1.08	1.08	1.14	1.14	1.14	1.15	1.21	1.21	1.21	1.21
	86	TC	12986	13004	13018	13036	13767	13783	13799	13816	14589	14608	14627	14644	15469	15486	15505	15524
		S/T	0.35	0.41	0.47	0.53	0.37	0.44	0.50	0.57	0.39	0.46	0.53	0.60	0.42	0.49	0.56	0.64
		PI	1.16	1.16	1.16	1.17	1.23	1.23	1.23	1.23	1.30	1.31	1.31	1.31	1.38	1.38	1.39	1.39
	95	TC	12921	12938	12953	12970	13698	13714	13730	13746	14516	14535	14554	14570	15391	15408	15427	15446
		S/T	0.36	0.42	0.48	0.55	0.38	0.45	0.51	0.58	0.40	0.47	0.54	0.61	0.43	0.50	0.57	0.65
		PI	1.20	1.20	1.20	1.20	1.27	1.27	1.27	1.27	1.34	1.35	1.35	1.35	1.43	1.43	1.43	1.43
104	TC	9949	9962	9973	9987	10546	10559	10571	10584	11177	11191	11206	11218	11850	11863	11878	11893	
	S/T	0.38	0.44	0.50	0.57	0.40	0.47	0.53	0.61	0.42	0.50	0.57	0.65	0.45	0.53	0.60	0.68	
	PI	2.49	2.49	2.50	2.50	2.64	2.64	2.65	2.65	2.80	2.80	2.80	2.81	2.97	2.97	2.97	2.98	
114.8	TC	6381	6390	6397	6406	6765	6773	6781	6789	7169	7179	7188	7196	7601	7610	7619	7629	
	S/T	0.38	0.45	0.51	0.58	0.41	0.48	0.54	0.62	0.43	0.50	0.57	0.65	0.46	0.53	0.61	0.69	
	PI	4.04	4.05	4.05	4.06	4.28	4.29	4.30	4.30	4.54	4.55	4.55	4.56	4.81	4.82	4.83	4.83	
122	TC	4003	4009	4013	4019	4244	4249	4254	4259	4498	4503	4509	4514	4769	4774	4780	4786	
	S/T	0.40	0.46	0.53	0.60	0.42	0.49	0.56	0.64	0.44	0.52	0.59	0.68	0.47	0.55	0.63	0.72	
	PI	5.08	5.08	5.09	5.10	5.38	5.39	5.39	5.40	5.70	5.71	5.72	5.72	6.05	6.05	6.06	6.07	

NON-DUCTED COOLING PERFORMANCE 24HH (Sheet 2 of 4)

AIRFLOW (CFM)	OUTDOOR DB (°F)	ID WB (°F)	60.8				64.4				66.2				71.6							
			ID DB (°F)				73.4	77.0	80.6	84.2	73.4	77.0	80.6	84.2	73.4	77.0	80.0	84.20	73.4	77.0	80.6	84.2
			73.4	77.0	80.6	84.2	73.4	77.0	80.6	84.2	73.4	77.0	80.0	84.20	73.4	77.0	80.6	84.2				
640	-22	TC	23099	23130	23156	23187	24487	24516	24545	24575	25951	25984	26018	26047	27515	27545	27579	27614				
		S/T	0.32	0.38	0.43	0.49	0.34	0.40	0.45	0.52	0.36	0.42	0.48	0.55	0.38	0.45	0.51	0.58				
		PI	1.43	1.43	1.43	1.43	1.51	1.51	1.52	1.52	1.60	1.61	1.61	1.61	1.70	1.70	1.70	1.71				
	-10	TC	22895	22926	22952	22983	24271	24300	24329	24358	25722	25755	25788	25817	27272	27302	27336	27370				
		S/T	0.32	0.38	0.43	0.49	0.34	0.40	0.46	0.52	0.36	0.43	0.48	0.55	0.38	0.45	0.51	0.58				
		PI	1.46	1.46	1.46	1.46	1.54	1.55	1.55	1.55	1.64	1.64	1.64	1.64	1.74	1.74	1.74	1.74				
	0	TC	22725	22756	22781	22812	24091	24120	24148	24177	25531	25564	25597	25626	27070	27099	27133	27167				
		S/T	0.32	0.38	0.43	0.49	0.34	0.40	0.46	0.52	0.36	0.43	0.49	0.55	0.39	0.45	0.52	0.59				
		PI	1.48	1.48	1.49	1.49	1.57	1.57	1.57	1.58	1.66	1.67	1.67	1.67	1.77	1.77	1.77	1.77				
	5	TC	22640	22671	22696	22727	24001	24029	24058	24086	25435	25468	25501	25530	26968	26998	27031	27065				
		S/T	0.33	0.38	0.43	0.49	0.34	0.40	0.46	0.52	0.37	0.43	0.49	0.56	0.39	0.45	0.52	0.59				
		PI	1.49	1.50	1.50	1.50	1.58	1.59	1.59	1.59	1.68	1.68	1.68	1.69	1.78	1.78	1.78	1.79				
	14	TC	22487	22517	22543	22573	23839	23867	23895	23924	25263	25296	25329	25357	26786	26815	26849	26882				
		S/T	0.33	0.38	0.44	0.50	0.35	0.41	0.46	0.53	0.37	0.43	0.49	0.56	0.39	0.46	0.52	0.59				
		PI	1.52	1.52	1.52	1.52	1.61	1.61	1.61	1.61	1.70	1.71	1.71	1.71	1.81	1.81	1.81	1.81				
	17	TC	22436	22466	22492	22522	23785	23813	23841	23869	25206	25239	25272	25300	26726	26755	26788	26821				
		S/T	0.33	0.38	0.44	0.50	0.35	0.41	0.46	0.53	0.37	0.43	0.49	0.56	0.39	0.46	0.52	0.59				
		PI	1.52	1.53	1.53	1.53	1.62	1.62	1.62	1.62	1.71	1.71	1.72	1.72	1.82	1.82	1.82	1.82				
	23	TC	22368	22398	22423	22454	23713	23741	23769	23797	25130	25162	25195	25223	26645	26673	26707	26740				
S/T		0.33	0.39	0.44	0.50	0.35	0.41	0.46	0.53	0.37	0.43	0.49	0.56	0.39	0.46	0.52	0.60					
PI		1.53	1.54	1.54	1.54	1.63	1.63	1.63	1.63	1.72	1.73	1.73	1.73	1.83	1.83	1.83	1.83					
32	TC	22266	22296	22321	22351	23604	23632	23660	23688	25015	25048	25080	25108	26523	26552	26585	26618					
	S/T	0.33	0.39	0.44	0.50	0.35	0.41	0.47	0.53	0.37	0.44	0.49	0.56	0.39	0.46	0.52	0.60					
	PI	1.55	1.55	1.55	1.56	1.64	1.64	1.65	1.65	1.74	1.74	1.75	1.75	1.85	1.85	1.85	1.85					
41	TC	22130	22160	22185	22215	23460	23488	23516	23544	24862	24895	24927	24955	26361	26390	26423	26455					
	S/T	0.33	0.39	0.44	0.50	0.35	0.41	0.47	0.54	0.37	0.44	0.50	0.57	0.40	0.46	0.53	0.60					
	PI	1.58	1.59	1.59	1.59	1.68	1.68	1.68	1.69	1.78	1.78	1.78	1.79	1.89	1.89	1.89	1.89					
47	TC	22028	22058	22083	22112	23352	23380	23408	23435	24748	24780	24812	24840	26240	26268	26301	26334					
	S/T	0.33	0.39	0.44	0.51	0.35	0.41	0.47	0.54	0.37	0.44	0.50	0.57	0.40	0.46	0.53	0.60					
	PI	1.61	1.62	1.62	1.62	1.71	1.71	1.72	1.72	1.81	1.82	1.82	1.82	1.92	1.92	1.93	1.93					
50	TC	21982	22012	22036	22066	23303	23331	23358	23386	24696	24728	24760	24788	26184	26213	26246	26278					
	S/T	0.33	0.39	0.44	0.51	0.35	0.42	0.47	0.54	0.37	0.44	0.50	0.57	0.40	0.47	0.53	0.60					
	PI	1.62	1.63	1.63	1.63	1.72	1.72	1.73	1.73	1.83	1.83	1.83	1.83	1.94	1.94	1.94	1.94					
59	TC	21843	21873	21897	21927	23156	23183	23211	23238	24540	24572	24604	24631	26019	26047	26080	26112					
	S/T	0.34	0.39	0.45	0.51	0.36	0.42	0.47	0.54	0.38	0.44	0.50	0.57	0.40	0.47	0.53	0.61					
	PI	1.66	1.66	1.66	1.66	1.76	1.76	1.76	1.76	1.86	1.86	1.87	1.87	1.97	1.98	1.98	1.98					
68	TC	21704	21734	21758	21787	23009	23036	23063	23091	24384	24415	24447	24475	25854	25882	25914	25946					
	S/T	0.34	0.40	0.45	0.51	0.36	0.42	0.48	0.54	0.38	0.44	0.51	0.58	0.40	0.47	0.54	0.61					
	PI	1.69	1.69	1.69	1.70	1.79	1.79	1.80	1.80	1.90	1.90	1.90	1.91	2.01	2.02	2.02	2.02					
77	TC	21566	21595	21619	21648	22862	22889	22916	22943	24228	24259	24291	24318	25688	25716	25748	25780					
	S/T	0.35	0.41	0.46	0.53	0.37	0.43	0.49	0.56	0.39	0.46	0.52	0.59	0.41	0.48	0.55	0.63					
	PI	1.72	1.72	1.73	1.73	1.83	1.83	1.83	1.83	1.94	1.94	1.94	1.94	2.05	2.05	2.06	2.06					
86	TC	18701	18726	18747	18772	19825	19848	19872	19895	21009	21036	21064	21087	22276	22300	22328	22355					
	S/T	0.35	0.41	0.47	0.53	0.37	0.44	0.50	0.56	0.39	0.46	0.53	0.60	0.42	0.49	0.56	0.63					
	PI	1.86	1.86	1.86	1.86	1.97	1.97	1.97	1.98	2.09	2.09	2.09	2.09	2.21	2.21	2.22	2.22					
95	TC	17933	17957	17977	18001	19010	19033	19056	19078	20146	20173	20199	20221	21361	21384	21411	21437					
	S/T	0.36	0.42	0.48	0.55	0.38	0.45	0.51	0.58	0.40	0.47	0.54	0.61	0.43	0.50	0.57	0.65					
	PI	1.91	1.92	1.92	1.92	2.03	2.03	2.03	2.04	2.15	2.15	2.15	2.16	2.28	2.28	2.28	2.29					
104	TC	16286	16308	16326	16348	17264	17285	17305	17326	18296	18320	18344	18364	19399	19420	19444	19469					
	S/T	0.38	0.44	0.50	0.57	0.40	0.47	0.53	0.61	0.42	0.50	0.57	0.64	0.45	0.53	0.60	0.68					
	PI	4.03	4.04	4.04	4.05	4.27	4.28	4.28	4.29	4.53	4.54	4.54	4.55	4.80	4.81	4.81	4.82					
114.8	TC	14309	14328	14345	14364	15169	15187	15205	15223	16076	16097	16118	16135	17045	17063	17085	17106					
	S/T	0.38	0.45	0.51	0.58	0.40	0.48	0.54	0.62	0.43	0.50	0.57	0.65	0.46	0.53	0.61	0.69					
	PI	6.57	6.58	6.59	6.60	6.97	6.98	6.99	6.99	7.39	7.40	7.41	7.41	7.83	7.84	7.85	7.86					
122	TC	12992	13009	13024	13041	13772	13789	13805	13821	14595	14614	14633	14650	15475	15492	15511	15531					
	S/T	0.40	0.46	0.53	0.60	0.42	0.49	0.56	0.64	0.44	0.52	0.59	0.68	0.47	0.55	0.63	0.72					
	PI	8.27	8.28	8.29	8.30	8.77	8.78	8.79	8.80	9.29	9.30	9.31	9.32	9.85	9.86	9.87	9.89					

Manufacturer reserves the right to change, at any time, specifications and designs without notice and without obligations.

NON-DUCTED COOLING PERFORMANCE 24HH (Sheet 3 of 4)

AIRFLOW (CFM)	OUTDOOR DB (°F)	ID WB (°F)	60.8				64.4				66.2				71.6							
			ID DB (°F)				73.4	77.0	80.6	84.2	73.4	77.0	80.6	84.2	73.4	77.0	80.0	84.20	73.4	77.0	80.6	84.2
			73.4	77.0	80.6	84.2	73.4	77.0	80.6	84.2	73.4	77.0	80.0	84.20	73.4	77.0	80.6	84.2				
960	-22	TC	34306	34352	34390	34437	36367	36411	36454	36497	38541	38591	38641	38684	40864	40908	40959	41010				
		S/T	0.48	0.56	0.63	0.72	0.50	0.59	0.67	0.77	0.53	0.63	0.71	0.81	0.57	0.67	0.76	0.86				
		PI	2.12	2.12	2.12	2.13	2.25	2.25	2.25	2.26	2.38	2.38	2.39	2.39	2.52	2.53	2.53	2.53				
	-10	TC	34003	34048	34087	34133	36046	36089	36132	36175	38200	38250	38300	38342	40503	40547	40598	40648				
		S/T	0.48	0.56	0.64	0.73	0.51	0.60	0.68	0.77	0.54	0.63	0.72	0.82	0.57	0.67	0.76	0.87				
		PI	2.16	2.17	2.17	2.17	2.29	2.30	2.30	2.30	2.43	2.43	2.44	2.44	2.58	2.58	2.58	2.59				
	0	TC	33750	33796	33834	33879	35779	35821	35864	35906	37917	37966	38015	38058	40203	40246	40296	40346				
		S/T	0.48	0.57	0.64	0.73	0.51	0.60	0.68	0.78	0.54	0.64	0.72	0.82	0.57	0.67	0.77	0.87				
		PI	2.20	2.20	2.21	2.21	2.33	2.34	2.34	2.34	2.47	2.48	2.48	2.48	2.62	2.62	2.63	2.63				
	5	TC	33624	33669	33707	33752	35645	35687	35729	35772	37775	37824	37873	37915	40052	40096	40146	40196				
		S/T	0.48	0.57	0.64	0.73	0.51	0.60	0.68	0.78	0.54	0.64	0.72	0.83	0.58	0.68	0.77	0.88				
		PI	2.22	2.22	2.22	2.23	2.35	2.36	2.36	2.36	2.49	2.50	2.50	2.50	2.64	2.65	2.65	2.65				
	14	TC	33397	33442	33479	33524	35404	35446	35488	35530	37520	37568	37617	37659	39782	39825	39874	39924				
		S/T	0.49	0.57	0.65	0.74	0.51	0.60	0.69	0.78	0.55	0.64	0.73	0.83	0.58	0.68	0.77	0.88				
		PI	2.25	2.26	2.26	2.26	2.39	2.39	2.39	2.40	2.53	2.53	2.54	2.54	2.68	2.69	2.69	2.69				
	17	TC	33321	33366	33403	33448	35324	35366	35408	35450	37435	37483	37532	37574	39691	39734	39784	39833				
		S/T	0.49	0.57	0.65	0.74	0.52	0.61	0.69	0.78	0.55	0.64	0.73	0.83	0.58	0.68	0.77	0.88				
		PI	2.26	2.27	2.27	2.27	2.40	2.40	2.41	2.41	2.54	2.55	2.55	2.55	2.70	2.70	2.70	2.71				
	23	TC	33220	33265	33302	33347	35217	35258	35300	35342	37321	37370	37418	37460	39571	39614	39663	39713				
		S/T	0.49	0.57	0.65	0.74	0.52	0.61	0.69	0.79	0.55	0.64	0.73	0.83	0.58	0.68	0.78	0.88				
		PI	2.28	2.28	2.28	2.29	2.42	2.42	2.42	2.42	2.56	2.56	2.57	2.57	2.71	2.72	2.72	2.72				
	32	TC	33069	33113	33150	33195	35056	35098	35139	35181	37151	37199	37248	37289	39391	39433	39483	39532				
		S/T	0.49	0.58	0.65	0.75	0.52	0.61	0.69	0.79	0.55	0.65	0.74	0.84	0.58	0.69	0.78	0.89				
		PI	2.30	2.30	2.31	2.31	2.44	2.44	2.44	2.45	2.58	2.59	2.59	2.59	2.74	2.74	2.75	2.75				
	41	TC	32867	32911	32948	32992	34842	34883	34925	34966	36924	36972	37020	37062	39150	39193	39241	39290				
		S/T	0.49	0.58	0.66	0.75	0.52	0.61	0.70	0.79	0.55	0.65	0.74	0.84	0.59	0.69	0.78	0.89				
		PI	2.35	2.36	2.36	2.36	2.49	2.50	2.50	2.50	2.64	2.65	2.65	2.65	2.80	2.81	2.81	2.81				
	47	TC	32715	32759	32796	32840	34682	34723	34764	34805	36754	36802	36850	36891	38970	39012	39061	39109				
		S/T	0.49	0.58	0.66	0.75	0.52	0.61	0.70	0.80	0.56	0.65	0.74	0.84	0.59	0.69	0.78	0.89				
		PI	2.40	2.40	2.40	2.41	2.54	2.54	2.55	2.55	2.69	2.70	2.70	2.70	2.86	2.86	2.86	2.87				
	50	TC	32647	32690	32727	32771	34609	34650	34691	34732	36677	36724	36772	36813	38888	38930	38979	39027				
		S/T	0.50	0.58	0.66	0.75	0.53	0.62	0.70	0.80	0.56	0.65	0.74	0.85	0.59	0.69	0.79	0.90				
		PI	2.41	2.42	2.42	2.42	2.56	2.56	2.56	2.57	2.71	2.71	2.72	2.72	2.87	2.88	2.88	2.88				
	59	TC	32440	32484	32520	32564	34390	34431	34472	34513	36445	36493	36540	36581	38642	38684	38732	38781				
		S/T	0.50	0.58	0.66	0.76	0.53	0.62	0.70	0.80	0.56	0.66	0.75	0.85	0.59	0.70	0.79	0.90				
		PI	2.46	2.46	2.47	2.47	2.61	2.61	2.62	2.62	2.77	2.77	2.77	2.78	2.93	2.94	2.94	2.94				
	68	TC	32234	32278	32314	32357	34172	34212	34253	34293	36214	36261	36308	36348	38397	38438	38486	38534				
		S/T	0.50	0.59	0.67	0.76	0.53	0.62	0.71	0.81	0.56	0.66	0.75	0.86	0.60	0.70	0.80	0.91				
		PI	2.51	2.51	2.52	2.52	2.66	2.66	2.67	2.67	2.82	2.82	2.83	2.83	2.99	2.99	3.00	3.00				
	77	TC	32028	32071	32107	32150	33953	33993	34034	34074	35982	36029	36076	36116	38151	38193	38240	38288				
		S/T	0.51	0.60	0.69	0.78	0.54	0.64	0.73	0.83	0.58	0.68	0.77	0.88	0.61	0.72	0.82	0.93				
		PI	2.56	2.56	2.56	2.57	2.71	2.72	2.72	2.72	2.87	2.88	2.88	2.88	3.05	3.05	3.05	3.06				
	86	TC	27773	27810	27842	27879	29442	29477	29512	29547	31202	31242	31283	31318	33083	33119	33160	33201				
		S/T	0.52	0.61	0.69	0.79	0.55	0.65	0.74	0.84	0.59	0.69	0.78	0.89	0.62	0.73	0.83	0.94				
		PI	2.76	2.76	2.76	2.77	2.92	2.93	2.93	2.93	3.10	3.10	3.11	3.11	3.28	3.29	3.29	3.30				
	95	TC	26633	26668	26698	26734	28233	28267	28300	28334	29920	29959	29998	30032	31724	31759	31798	31838				
		S/T	0.53	0.63	0.71	0.81	0.57	0.66	0.75	0.86	0.60	0.70	0.80	0.91	0.64	0.75	0.85	0.97				
		PI	2.84	2.84	2.85	2.85	3.01	3.02	3.02	3.02	3.19	3.20	3.20	3.20	3.38	3.39	3.39	3.40				
	104	TC	24187	24219	24246	24279	25640	25671	25701	25732	27172	27208	27243	27274	28811	28842	28878	28914				
		S/T	0.56	0.66	0.75	0.85	0.59	0.70	0.79	0.90	0.63	0.74	0.84	0.96	0.67	0.78	0.89	1.02				
		PI	5.99	6.00	6.00	6.01	6.35	6.36	6.36	6.37	6.73	6.74	6.74	6.75	7.13	7.14	7.15	7.16				
	114.8	TC	21251	21280	21304	21332	22529	22555	22582	22609	23875	23906	23937	23964	25314	25342	25373	25405				
		S/T	0.57	0.67	0.76	0.86	0.60	0.71	0.80	0.91	0.64	0.75	0.85	0.97	0.68	0.79	0.90	1.03				
		PI	9.76	9.78	9.79	9.80	10.35	10.36	10.38	10.39	10.97	10.98	11.00	11.01	11.63	11.64	11.66	11.67				
	122	TC	19294	19320	19342	19368	20454	20478	20503	20527	21676	21705	21733	21757	22983	23008	23037	23065				
		S/T	0.59	0.69	0.78	0.89	0.62	0.73	0.83	0.95	0.66	0.77	0.88	1.00	0.70	0.82	0.93	1.06				
		PI	12.28	12.30	12.31	12.33	13.02	13.04	13.05	13.07	13.80	13.82	13.83	13.85	14.63	14.65	14.66	14.68				

NON-DUCTED COOLING PERFORMANCE 24HH (Sheet 4 of 4)

AIRFLOW (CFM)	OUTDOOR DB (°F)	ID WB (°F) ID DB (°F)	60.8				64.4				66.2				71.6			
			73.4	77.0	80.6	84.2	73.4	77.0	80.6	84.2	73.4	77.0	80.0	84.20	73.4	77.0	80.6	84.2

NOTE: Data highlighted in gray is extrapolated data and not actual test data. At 77°F outdoor conditions sweat protection activates causing a decrease in total capacity.

LEGEND
 TC - Total Net Capacity (Btu/hour)
 S/T: Sensible Cooling Capacity Ratio
 PI: Power Input (kW)
 Extrapolated Data

NON-DUCTED COOLING PERFORMANCE 30HH (Sheet 3 of 4)

AIRFLOW (CFM)	OUTDOOR DB (°F)	ID WB (°F) ID DB (°F)	60.8				64.4				66.2				71.6			
			73.4	77.0	80.6	84.2	73.4	77.0	80.6	84.2	73.4	77.0	80.0	84.20	73.4	77.0	80.6	84.2
1280	-22	TC	39266	39319	39363	39416	41626	41675	41725	41774	44113	44171	44228	44277	46773	46823	46882	46940
		S/T	0.48	0.56	0.63	0.72	0.50	0.59	0.67	0.77	0.53	0.63	0.71	0.81	0.57	0.67	0.76	0.86
		PI	2.47	2.47	2.48	2.48	2.62	2.62	2.63	2.63	2.78	2.78	2.78	2.79	2.94	2.95	2.95	2.95
	-10	TC	38751	38803	38847	38899	41080	41129	41177	41226	43535	43591	43648	43697	46159	46209	46267	46325
		S/T	0.48	0.56	0.64	0.73	0.51	0.60	0.68	0.77	0.54	0.63	0.72	0.82	0.57	0.67	0.76	0.87
		PI	2.55	2.55	2.55	2.56	2.70	2.70	2.71	2.71	2.86	2.87	2.87	2.87	3.03	3.04	3.04	3.04
	0	TC	38322	38373	38416	38468	40625	40673	40721	40770	43053	43109	43165	43213	45648	45698	45755	45812
		S/T	0.48	0.57	0.64	0.73	0.51	0.60	0.68	0.78	0.54	0.64	0.72	0.82	0.57	0.67	0.77	0.87
		PI	2.61	2.61	2.62	2.62	2.77	2.77	2.77	2.78	2.93	2.94	2.94	2.94	3.11	3.11	3.12	3.12
	5	TC	38107	38158	38201	38253	40398	40445	40493	40541	42812	42867	42923	42971	45392	45442	45498	45555
		S/T	0.48	0.57	0.64	0.73	0.51	0.60	0.68	0.78	0.54	0.64	0.72	0.83	0.58	0.68	0.77	0.88
		PI	2.64	2.64	2.65	2.65	2.80	2.80	2.81	2.81	2.97	2.97	2.98	2.98	3.15	3.15	3.15	3.16
	14	TC	37721	37772	37814	37865	39988	40035	40083	40131	42378	42433	42488	42535	44932	44981	45037	45093
		S/T	0.49	0.57	0.65	0.74	0.51	0.60	0.69	0.78	0.55	0.64	0.73	0.83	0.58	0.68	0.77	0.88
		PI	2.70	2.70	2.70	2.71	2.86	2.86	2.87	2.87	3.03	3.03	3.04	3.04	3.21	3.22	3.22	3.23
	17	TC	37592	37643	37685	37736	39852	39899	39946	39994	42233	42288	42343	42390	44779	44828	44883	44939
		S/T	0.49	0.57	0.65	0.74	0.52	0.61	0.69	0.78	0.55	0.64	0.73	0.83	0.58	0.68	0.77	0.88
		PI	2.72	2.72	2.72	2.73	2.88	2.88	2.89	2.89	3.05	3.06	3.06	3.06	3.24	3.24	3.24	3.25
	23	TC	37421	37471	37513	37564	39670	39717	39764	39811	42040	42095	42150	42197	44575	44623	44679	44734
		S/T	0.49	0.57	0.65	0.74	0.52	0.61	0.69	0.79	0.55	0.64	0.73	0.83	0.58	0.68	0.78	0.88
		PI	2.73	2.73	2.74	2.74	2.89	2.90	2.90	2.90	3.07	3.07	3.07	3.07	3.25	3.25	3.26	3.26
	32	TC	37163	37213	37255	37305	39397	39443	39490	39537	41751	41805	41860	41906	44268	44316	44371	44426
		S/T	0.49	0.58	0.65	0.75	0.52	0.61	0.69	0.79	0.55	0.65	0.74	0.84	0.58	0.69	0.78	0.89
		PI	2.75	2.75	2.75	2.76	2.91	2.92	2.92	2.92	3.09	3.09	3.10	3.10	3.27	3.28	3.28	3.29
	41	TC	36820	36869	36911	36960	39033	39079	39125	39172	41365	41419	41473	41519	43859	43907	43961	44016
		S/T	0.49	0.58	0.66	0.75	0.52	0.61	0.70	0.79	0.55	0.65	0.74	0.84	0.59	0.69	0.78	0.89
		PI	2.77	2.78	2.78	2.78	2.94	2.94	2.95	2.95	3.12	3.12	3.12	3.13	3.30	3.31	3.31	3.32
	47	TC	36562	36611	36653	36702	38760	38806	38852	38898	41076	41129	41183	41229	43552	43600	43654	43708
		S/T	0.49	0.58	0.66	0.75	0.52	0.61	0.70	0.80	0.56	0.65	0.74	0.84	0.59	0.69	0.78	0.89
		PI	2.79	2.80	2.80	2.80	2.96	2.96	2.97	2.97	3.14	3.14	3.15	3.15	3.33	3.33	3.33	3.34
	50	TC	36531	36580	36621	36671	38727	38773	38819	38865	41041	41094	41148	41194	43515	43563	43617	43671
		S/T	0.50	0.58	0.66	0.75	0.53	0.62	0.70	0.80	0.56	0.65	0.74	0.85	0.59	0.69	0.79	0.90
		PI	2.80	2.80	2.81	2.81	2.97	2.97	2.97	2.98	3.14	3.15	3.15	3.16	3.33	3.34	3.34	3.35
	59	TC	36438	36487	36528	36577	38628	38674	38720	38766	40936	40990	41043	41089	43404	43451	43505	43560
		S/T	0.50	0.58	0.66	0.76	0.53	0.62	0.70	0.80	0.56	0.66	0.75	0.85	0.59	0.70	0.79	0.90
		PI	2.82	2.82	2.83	2.83	2.99	2.99	3.00	3.00	3.17	3.17	3.18	3.18	3.36	3.36	3.37	3.37
	68	TC	36345	36394	36435	36484	38529	38575	38621	38666	40832	40885	40938	40984	43293	43340	43394	43448
		S/T	0.50	0.59	0.67	0.76	0.53	0.62	0.71	0.81	0.56	0.66	0.75	0.86	0.60	0.70	0.80	0.91
		PI	2.84	2.84	2.85	2.85	3.01	3.01	3.02	3.02	3.19	3.19	3.20	3.20	3.38	3.39	3.39	3.40
	77	TC	36252	36300	36341	36390	38430	38476	38522	38567	40727	40780	40833	40878	43182	43229	43283	43337
		S/T	0.51	0.60	0.69	0.78	0.54	0.64	0.73	0.83	0.58	0.68	0.77	0.88	0.61	0.72	0.82	0.93
		PI	2.86	2.86	2.87	2.87	3.03	3.04	3.04	3.04	3.21	3.22	3.22	3.23	3.41	3.41	3.42	3.42
	86	TC	31380	31423	31458	31500	33266	33306	33345	33385	35254	35300	35346	35385	37380	37420	37467	37513
		S/T	0.52	0.61	0.69	0.79	0.55	0.65	0.74	0.84	0.59	0.69	0.78	0.89	0.62	0.73	0.83	0.94
		PI	3.10	3.10	3.11	3.11	3.28	3.29	3.29	3.30	3.48	3.49	3.49	3.49	3.69	3.70	3.70	3.70
	95	TC	30185	30225	30259	30300	31999	32037	32075	32113	33911	33955	33999	34037	35955	35994	36039	36084
		S/T	0.53	0.63	0.71	0.81	0.57	0.66	0.75	0.86	0.60	0.70	0.80	0.91	0.64	0.75	0.85	0.97
		PI	3.17	3.17	3.18	3.18	3.36	3.36	3.37	3.37	3.56	3.57	3.57	3.57	3.78	3.78	3.78	3.79
	104	TC	26124	26159	26189	26224	27695	27727	27760	27793	29349	29388	29426	29459	31119	31153	31191	31230
		S/T	0.56	0.66	0.75	0.85	0.59	0.70	0.79	0.90	0.63	0.74	0.84	0.96	0.67	0.78	0.89	1.02
		PI	6.82	6.83	6.84	6.85	7.23	7.24	7.25	7.26	7.66	7.67	7.68	7.69	8.12	8.13	8.14	8.15
	114.8	TC	21252	21281	21305	21333	22529	22556	22583	22610	23876	23907	23938	23965	25315	25343	25374	25406
		S/T	0.57	0.67	0.76	0.86	0.60	0.71	0.80	0.91	0.64	0.75	0.85	0.97	0.68	0.79	0.90	1.03
		PI	11.20	11.22	11.23	11.25	11.88	11.89	11.90	11.92	12.59	12.60	12.62	12.63	13.34	13.36	13.38	13.39
	122	TC	18004	18028	18048	18073	19086	19109	19131	19154	20227	20253	20279	20302	21446	21469	21496	21523
		PI	14.12	14.14	14.16	14.18	14.97	14.99	15.01	15.03	15.87	15.89	15.91	15.93	16.82	16.84	16.86	16.88

NON-DUCTED COOLING PERFORMANCE 30HH (Sheet 4 of 4)

AIRFLOW (CFM)	OUTDOOR DB (°F)	ID WB (°F) ID DB (°F)	60.8				64.4				66.2				71.6			
			73.4	77.0	80.6	84.2	73.4	77.0	80.6	84.2	73.4	77.0	80.6	84.2	73.4	77.0	80.6	84.2
			TC	S/T	PI	TC	S/T	PI	TC	S/T	PI	TC	S/T	PI	TC	S/T	PI	TC
1400	-22	TC	42522	42579	42627	42684	45078	45131	45184	45238	47771	47833	47895	47949	50651	50706	50769	50832
		S/T	0.52	0.60	0.69	0.78	0.55	0.64	0.73	0.83	0.58	0.68	0.77	0.88	0.61	0.72	0.82	0.93
		PI	2.68	2.68	2.68	2.69	2.84	2.84	2.84	2.85	3.01	3.01	3.01	3.02	3.19	3.19	3.20	3.20
	-10	TC	41964	42021	42068	42124	44486	44539	44592	44645	47145	47206	47267	47320	49987	50041	50103	50166
		S/T	0.52	0.61	0.69	0.79	0.55	0.65	0.73	0.84	0.58	0.68	0.78	0.89	0.62	0.73	0.82	0.94
		PI	2.76	2.76	2.76	2.77	2.92	2.93	2.93	2.93	3.10	3.10	3.11	3.11	3.29	3.29	3.29	3.30
	0	TC	41499	41555	41602	41658	43994	44046	44098	44150	46623	46683	46744	46796	49433	49487	49549	49610
		S/T	0.52	0.61	0.70	0.79	0.55	0.65	0.74	0.84	0.59	0.69	0.78	0.89	0.62	0.73	0.83	0.94
		PI	2.83	2.83	2.83	2.84	3.00	3.00	3.00	3.01	3.18	3.18	3.18	3.19	3.37	3.37	3.37	3.38
	5	TC	41267	41323	41369	41425	43747	43799	43851	43903	46362	46422	46482	46534	49156	49210	49271	49332
		S/T	0.52	0.61	0.70	0.80	0.55	0.65	0.74	0.84	0.59	0.69	0.78	0.89	0.62	0.73	0.83	0.95
		PI	2.86	2.86	2.87	2.87	3.03	3.04	3.04	3.04	3.21	3.22	3.22	3.23	3.41	3.41	3.41	3.42
	14	TC	40849	40904	40950	41005	43304	43355	43407	43458	45892	45951	46011	46062	48658	48711	48772	48832
		S/T	0.53	0.62	0.70	0.80	0.56	0.65	0.74	0.85	0.59	0.69	0.79	0.90	0.63	0.74	0.84	0.95
		PI	2.92	2.93	2.93	2.93	3.10	3.10	3.10	3.11	3.28	3.29	3.29	3.29	3.48	3.48	3.49	3.49
	17	TC	40709	40764	40810	40865	43156	43207	43259	43310	45735	45794	45854	45905	48492	48545	48605	48666
		S/T	0.53	0.62	0.70	0.80	0.56	0.66	0.75	0.85	0.59	0.69	0.79	0.90	0.63	0.74	0.84	0.95
		PI	2.94	2.95	2.95	2.95	3.12	3.12	3.13	3.13	3.31	3.31	3.31	3.32	3.50	3.51	3.51	3.52
	23	TC	40524	40578	40624	40678	42959	43010	43061	43112	45526	45585	45645	45696	48271	48323	48383	48444
		S/T	0.53	0.62	0.70	0.80	0.56	0.66	0.75	0.85	0.59	0.70	0.79	0.90	0.63	0.74	0.84	0.96
		PI	2.96	2.96	2.96	2.97	3.13	3.14	3.14	3.14	3.32	3.32	3.33	3.33	3.52	3.52	3.53	3.53
	32	TC	40245	40299	40344	40398	42664	42714	42765	42815	45213	45272	45331	45381	47939	47991	48050	48110
		S/T	0.53	0.62	0.71	0.81	0.56	0.66	0.75	0.86	0.60	0.70	0.80	0.91	0.63	0.74	0.84	0.96
		PI	2.98	2.98	2.98	2.99	3.15	3.16	3.16	3.17	3.34	3.35	3.35	3.36	3.54	3.55	3.55	3.56
	41	TC	39873	39927	39971	40025	42269	42319	42370	42420	44795	44853	44912	44962	47496	47547	47607	47666
		S/T	0.53	0.63	0.71	0.81	0.57	0.66	0.75	0.86	0.60	0.70	0.80	0.91	0.64	0.75	0.85	0.97
		PI	3.00	3.01	3.01	3.01	3.18	3.19	3.19	3.20	3.37	3.38	3.38	3.39	3.58	3.58	3.59	3.59
	47	TC	39594	39647	39692	39745	41974	42024	42073	42123	44482	44540	44598	44648	47164	47215	47274	47332
		S/T	0.54	0.63	0.71	0.81	0.57	0.67	0.76	0.86	0.60	0.71	0.80	0.91	0.64	0.75	0.85	0.97
		PI	3.02	3.03	3.03	3.04	3.21	3.21	3.21	3.22	3.40	3.40	3.41	3.41	3.60	3.61	3.61	3.61
	50	TC	39560	39614	39658	39712	41938	41988	42038	42087	44444	44502	44560	44610	47124	47175	47233	47292
		S/T	0.54	0.63	0.72	0.82	0.57	0.67	0.76	0.86	0.60	0.71	0.80	0.92	0.64	0.75	0.85	0.97
		PI	3.03	3.04	3.04	3.04	3.21	3.22	3.22	3.22	3.41	3.41	3.41	3.42	3.61	3.61	3.62	3.62
	59	TC	39459	39513	39557	39610	41831	41881	41930	41980	44331	44388	44446	44496	47003	47054	47113	47172
		S/T	0.54	0.63	0.72	0.82	0.57	0.67	0.76	0.87	0.61	0.71	0.81	0.92	0.64	0.75	0.86	0.98
		PI	3.05	3.06	3.06	3.07	3.24	3.24	3.24	3.25	3.43	3.43	3.44	3.44	3.64	3.64	3.65	3.65
	68	TC	39359	39411	39456	39509	41724	41774	41823	41873	44217	44275	44332	44382	46883	46934	46992	47051
		S/T	0.54	0.64	0.72	0.82	0.57	0.67	0.77	0.87	0.61	0.71	0.81	0.93	0.65	0.76	0.86	0.98
		PI	3.08	3.08	3.08	3.09	3.26	3.26	3.27	3.27	3.46	3.46	3.46	3.47	3.66	3.67	3.67	3.68
	77	TC	39258	39310	39354	39408	41617	41666	41716	41765	44104	44161	44219	44268	46763	46814	46872	46930
		S/T	0.56	0.65	0.74	0.85	0.59	0.69	0.79	0.90	0.63	0.73	0.83	0.95	0.66	0.78	0.88	1.01
		PI	3.10	3.10	3.11	3.11	3.28	3.29	3.29	3.30	3.48	3.48	3.49	3.49	3.69	3.69	3.70	3.70
	86	TC	33982	34028	34066	34112	36025	36068	36110	36153	38178	38227	38277	38320	40479	40523	40574	40624
		S/T	0.56	0.66	0.75	0.86	0.60	0.70	0.80	0.91	0.63	0.74	0.84	0.96	0.67	0.79	0.90	1.02
		PI	3.36	3.36	3.36	3.37	3.56	3.56	3.57	3.57	3.77	3.77	3.77	3.78	4.00	4.00	4.01	4.01
	95	TC	32687	32731	32768	32812	34652	34693	34734	34775	36723	36770	36818	36859	38937	38979	39027	39076
		S/T	0.58	0.68	0.77	0.88	0.61	0.72	0.82	0.93	0.65	0.76	0.87	0.99	0.69	0.81	0.92	1.05
		PI	3.43	3.44	3.44	3.45	3.64	3.64	3.65	3.65	3.86	3.86	3.87	3.87	4.09	4.09	4.10	4.10
104	TC	28291	28329	28360	28399	29991	30026	30062	30098	31783	31824	31866	31901	33699	33736	33778	33820	
	S/T	0.61	0.71	0.81	0.92	0.64	0.76	0.86	0.98	0.68	0.80	0.91	1.04	0.72	0.85	0.96	1.10	
	PI	7.39	7.40	7.40	7.41	7.83	7.84	7.85	7.86	8.30	8.31	8.32	8.33	8.80	8.81	8.82	8.83	
114.8	TC	23014	23045	23071	23102	24398	24427	24456	24485	25856	25889	25923	25952	27414	27444	27478	27512	
	S/T	0.61	0.72	0.82	0.93	0.65	0.76	0.87	0.99	0.69	0.81	0.92	1.05	0.73	0.86	0.98	1.11	
	PI	12.13	12.15	12.16	12.18	12.86	12.88	12.89	12.91	13.63	13.65	13.66	13.68	14.45	14.47	14.48	14.50	
122	TC	19497	19523	19545	19571	20669	20693	20718	20742	21904	21932	21961	21985	23224	23250	23279	23308	
	S/T	0.64	0.75	0.85	0.97	0.67	0.79	0.90	1.02	0.71	0.84	0.95	1.09	0.76	0.89	1.01	1.15	
	PI	15.30	15.32	15.33	15.35	16.21	16.23	16.25	16.27	17.18	17.21	17.23	17.25	18.22	18.24	18.26	18.28	

NOTE: Data highlighted in gray is extrapolated data and not actual test data. At 77°F outdoor conditions sweat protection activates causing a decrease in total capacity.

LEGEND

- TC - Total Net Capacity (Btu/hour)
- S/T: Sensible Cooling Capacity Ratio
- PI: Power Input (kW)
- Extrapolated Data

COOLING PERFORMANCE NON-DUCTED

COOLING PERFORMANCE 36R (STANDARD)

NON-DUCTED COOLING PERFORMANCE 36R (Sheet 1 of 4)

AIRFLOW (CFM)	OUTDOOR DB (°F)	ID WB (°F) ID DB (°F)	60.8				64.4				66.2				71.6			
			73.4	77.0	80.6	84.2	73.4	77.0	80.6	84.2	73.4	77.0	80.0	84.20	73.4	77.0	80.6	84.2
656	-22	TC	24151	24183	24210	24243	25602	25633	25663	25694	27132	27168	27203	27233	28768	28799	28835	28871
		S/T	0.22	0.25	0.29	0.33	0.23	0.27	0.31	0.35	0.24	0.28	0.32	0.37	0.26	0.30	0.34	0.39
		PI	1.33	1.33	1.33	1.33	1.41	1.41	1.41	1.41	1.49	1.49	1.49	1.50	1.58	1.58	1.58	1.59
	-10	TC	23834	23866	23893	23925	25267	25297	25327	25357	26777	26811	26846	26876	28391	28422	28457	28492
		S/T	0.22	0.26	0.29	0.33	0.23	0.27	0.31	0.35	0.24	0.29	0.33	0.37	0.26	0.30	0.35	0.39
		PI	1.37	1.37	1.37	1.37	1.45	1.45	1.45	1.45	1.54	1.54	1.54	1.54	1.63	1.63	1.63	1.63
	0	TC	23570	23602	23628	23660	24987	25016	25046	25076	26480	26514	26549	26578	28076	28107	28142	28177
		S/T	0.22	0.26	0.29	0.33	0.23	0.27	0.31	0.35	0.25	0.29	0.33	0.37	0.26	0.31	0.35	0.40
		PI	1.40	1.40	1.40	1.41	1.49	1.49	1.49	1.49	1.57	1.58	1.58	1.58	1.67	1.67	1.67	1.67
	5	TC	23438	23470	23496	23528	24847	24876	24906	24935	26332	26366	26400	26430	27919	27949	27984	28019
		S/T	0.22	0.26	0.29	0.33	0.23	0.27	0.31	0.35	0.25	0.29	0.33	0.37	0.26	0.31	0.35	0.40
		PI	1.42	1.42	1.42	1.42	1.50	1.50	1.51	1.51	1.59	1.60	1.60	1.60	1.69	1.69	1.69	1.70
	14	TC	23201	23232	23258	23289	24595	24624	24653	24683	26065	26099	26133	26162	27636	27666	27701	27735
		S/T	0.22	0.26	0.29	0.34	0.23	0.27	0.31	0.36	0.25	0.29	0.33	0.38	0.26	0.31	0.35	0.40
		PI	1.45	1.45	1.45	1.45	1.54	1.54	1.54	1.54	1.63	1.63	1.63	1.63	1.73	1.73	1.73	1.73
	17	TC	23121	23153	23179	23210	24511	24540	24569	24598	25976	26010	26043	26073	27542	27572	27606	27640
		S/T	0.22	0.26	0.29	0.34	0.23	0.27	0.31	0.36	0.25	0.29	0.33	0.38	0.26	0.31	0.35	0.40
		PI	1.46	1.46	1.46	1.46	1.55	1.55	1.55	1.55	1.64	1.64	1.64	1.64	1.74	1.74	1.74	1.74
	23	TC	23016	23047	23073	23104	24399	24428	24457	24486	25857	25891	25925	25953	27416	27446	27480	27514
		S/T	0.22	0.26	0.30	0.34	0.24	0.28	0.31	0.36	0.25	0.29	0.33	0.38	0.26	0.31	0.35	0.40
		PI	1.47	1.47	1.47	1.47	1.55	1.56	1.56	1.56	1.65	1.65	1.65	1.65	1.75	1.75	1.75	1.75
	32	TC	22858	22888	22914	22945	24231	24260	24289	24318	25679	25713	25746	25775	27227	27257	27291	27325
		S/T	0.22	0.26	0.30	0.34	0.24	0.28	0.31	0.36	0.25	0.29	0.33	0.38	0.27	0.31	0.35	0.40
		PI	1.48	1.48	1.48	1.48	1.56	1.57	1.57	1.57	1.66	1.66	1.66	1.66	1.76	1.76	1.76	1.76
	41	TC	22646	22677	22702	22733	24008	24036	24064	24093	25442	25475	25508	25537	26976	27005	27039	27072
		S/T	0.22	0.26	0.30	0.34	0.24	0.28	0.32	0.36	0.25	0.30	0.34	0.38	0.27	0.31	0.36	0.41
		PI	1.49	1.49	1.49	1.49	1.58	1.58	1.58	1.58	1.67	1.67	1.68	1.68	1.77	1.78	1.78	1.78
	47	TC	22488	22518	22544	22574	23840	23868	23896	23925	25264	25297	25330	25358	26787	26816	26850	26883
		S/T	0.22	0.26	0.30	0.34	0.24	0.28	0.32	0.36	0.25	0.30	0.34	0.38	0.27	0.31	0.36	0.41
		PI	1.50	1.50	1.50	1.50	1.59	1.59	1.59	1.59	1.68	1.69	1.69	1.69	1.79	1.79	1.79	1.79
	50	TC	22469	22499	22524	22555	23819	23848	23876	23904	25243	25276	25308	25337	26764	26794	26827	26860
		S/T	0.23	0.26	0.30	0.34	0.24	0.28	0.32	0.36	0.25	0.30	0.34	0.38	0.27	0.31	0.36	0.41
		PI	1.50	1.50	1.51	1.51	1.59	1.59	1.60	1.60	1.69	1.69	1.69	1.69	1.79	1.79	1.79	1.80
	59	TC	22412	22442	22467	22497	23759	23787	23815	23843	25178	25211	25244	25272	26696	26725	26758	26792
		S/T	0.23	0.27	0.30	0.34	0.24	0.28	0.32	0.36	0.25	0.30	0.34	0.39	0.27	0.32	0.36	0.41
		PI	1.51	1.52	1.52	1.52	1.60	1.61	1.61	1.61	1.70	1.70	1.71	1.71	1.80	1.81	1.81	1.81
	68	TC	22354	22384	22409	22440	23698	23726	23754	23782	25114	25147	25179	25207	26628	26657	26690	26723
		S/T	0.23	0.27	0.30	0.35	0.24	0.28	0.32	0.37	0.26	0.30	0.34	0.39	0.27	0.32	0.36	0.41
		PI	1.52	1.53	1.53	1.53	1.62	1.62	1.62	1.62	1.71	1.72	1.72	1.72	1.82	1.82	1.82	1.82
	77	TC	22297	22327	22352	22382	23637	23665	23693	23721	25049	25082	25115	25143	26560	26588	26622	26655
		S/T	0.23	0.27	0.31	0.35	0.25	0.29	0.33	0.38	0.26	0.31	0.35	0.40	0.28	0.33	0.37	0.42
		PI	1.54	1.54	1.54	1.54	1.63	1.63	1.63	1.63	1.73	1.73	1.73	1.73	1.83	1.83	1.83	1.84
	86	TC	19301	19327	19348	19375	20461	20485	20509	20534	21684	21712	21740	21764	22991	23016	23044	23073
		S/T	0.24	0.28	0.32	0.36	0.25	0.29	0.33	0.38	0.27	0.31	0.35	0.40	0.28	0.33	0.38	0.43
		PI	1.66	1.67	1.67	1.67	1.76	1.77	1.77	1.77	1.87	1.87	1.87	1.88	1.98	1.98	1.99	1.99
	95	TC	18565	18590	18611	18636	19681	19704	19728	19751	20857	20884	20911	20935	22115	22139	22166	22194
		S/T	0.24	0.28	0.32	0.37	0.26	0.30	0.34	0.39	0.27	0.32	0.36	0.41	0.29	0.34	0.39	0.44
		PI	1.70	1.70	1.71	1.71	1.80	1.81	1.81	1.81	1.91	1.91	1.92	1.92	2.03	2.03	2.03	2.03
104	TC	16068	16090	16108	16129	17034	17054	17074	17094	18052	18075	18099	18119	19140	19161	19185	19208	
	S/T	0.25	0.30	0.34	0.39	0.27	0.32	0.36	0.41	0.29	0.34	0.38	0.43	0.30	0.36	0.40	0.46	
	PI	3.66	3.67	3.67	3.68	3.88	3.89	3.89	3.90	4.11	4.12	4.12	4.13	4.36	4.37	4.37	4.38	
114.8	TC	13071	13089	13104	13121	13857	13873	13890	13906	14685	14704	14723	14740	15570	15587	15607	15626	
	S/T	0.26	0.30	0.34	0.39	0.27	0.32	0.36	0.42	0.29	0.34	0.39	0.44	0.31	0.36	0.41	0.47	
	PI	6.01	6.02	6.03	6.04	6.38	6.38	6.39	6.40	6.76	6.77	6.77	6.78	7.16	7.17	7.18	7.19	
122	TC	11074	11088	11101	11116	11739	11753	11767	11781	12441	12457	12473	12487	13191	13205	13221	13238	
	S/T	0.27	0.31	0.36	0.41	0.28	0.33	0.38	0.43	0.30	0.35	0.40	0.46	0.32	0.37	0.42	0.48	
	PI	7.58	7.59	7.60	7.61	8.04	8.05	8.06	8.07	8.52	8.53	8.54	8.55	9.03	9.04	9.05	9.06	

NON-DUCTED COOLING PERFORMANCE 36R (Sheet 2 of 4)

AIRFLOW (CFM)	OUTDOOR DB (°F)	ID WB (°F) ID DB (°F)	60.8				64.4				66.2				71.6			
			73.4	77.0	80.6	84.2	73.4	77.0	80.6	84.2	73.4	77.0	80.0	84.2	73.4	77.0	80.6	84.2
854	-22	TC	31129	31171	31206	31248	33000	33039	33078	33117	34972	35017	35063	35102	37080	37121	37167	37213
		S/T	0.32	0.38	0.43	0.49	0.34	0.40	0.45	0.52	0.36	0.42	0.48	0.55	0.38	0.45	0.51	0.58
		PI	1.96	1.96	1.96	1.97	2.08	2.08	2.08	2.08	2.20	2.20	2.21	2.21	2.33	2.34	2.34	2.34
	-10	TC	30721	30762	30797	30838	32567	32606	32644	32683	34513	34558	34603	34642	36594	36634	36679	36725
		S/T	0.32	0.38	0.43	0.49	0.34	0.40	0.46	0.52	0.36	0.43	0.48	0.55	0.38	0.45	0.51	0.58
		PI	2.02	2.02	2.02	2.03	2.14	2.14	2.15	2.15	2.27	2.27	2.27	2.28	2.41	2.41	2.41	2.41
	0	TC	30381	30421	30456	30497	32207	32245	32283	32321	34131	34175	34220	34258	36189	36228	36273	36318
		S/T	0.32	0.38	0.43	0.49	0.34	0.40	0.46	0.52	0.36	0.43	0.49	0.55	0.39	0.45	0.52	0.59
		PI	2.07	2.07	2.07	2.08	2.19	2.20	2.20	2.20	2.32	2.33	2.33	2.33	2.46	2.47	2.47	2.47
	5	TC	30210	30251	30285	30326	32026	32064	32102	32140	33940	33984	34028	34066	35986	36025	36070	36115
		S/T	0.33	0.38	0.43	0.50	0.35	0.41	0.46	0.52	0.37	0.43	0.49	0.56	0.39	0.46	0.52	0.59
		PI	2.09	2.10	2.10	2.10	2.22	2.22	2.23	2.23	2.35	2.36	2.36	2.36	2.49	2.50	2.50	2.50
	14	TC	29904	29945	29978	30019	31702	31739	31777	31815	33596	33640	33683	33721	35621	35660	35704	35749
		S/T	0.33	0.38	0.44	0.50	0.35	0.41	0.46	0.53	0.37	0.43	0.49	0.56	0.39	0.46	0.52	0.59
		PI	2.14	2.14	2.14	2.15	2.27	2.27	2.27	2.28	2.40	2.41	2.41	2.41	2.55	2.55	2.55	2.56
	17	TC	29802	29842	29876	29916	31593	31631	31668	31706	33481	33525	33568	33606	35500	35538	35583	35627
		S/T	0.33	0.38	0.44	0.50	0.35	0.41	0.46	0.53	0.37	0.43	0.49	0.56	0.39	0.46	0.52	0.59
		PI	2.15	2.16	2.16	2.16	2.28	2.29	2.29	2.29	2.42	2.42	2.43	2.43	2.57	2.57	2.57	2.57
	23	TC	29666	29706	29739	29779	31449	31486	31524	31561	33328	33372	33415	33452	35338	35376	35420	35464
		S/T	0.33	0.39	0.44	0.50	0.35	0.41	0.46	0.53	0.37	0.43	0.49	0.56	0.39	0.46	0.52	0.60
		PI	2.16	2.17	2.17	2.17	2.29	2.30	2.30	2.30	2.43	2.43	2.44	2.44	2.58	2.58	2.58	2.59
	32	TC	29462	29502	29535	29575	31233	31270	31307	31344	33099	33142	33185	33222	35094	35133	35176	35220
		S/T	0.33	0.39	0.44	0.50	0.35	0.41	0.47	0.53	0.37	0.44	0.50	0.56	0.39	0.46	0.53	0.60
		PI	2.18	2.18	2.18	2.19	2.31	2.31	2.32	2.32	2.45	2.45	2.45	2.46	2.60	2.60	2.60	2.60
	41	TC	29190	29229	29262	29301	30944	30981	31018	31054	32793	32836	32879	32915	34770	34808	34851	34895
		S/T	0.33	0.39	0.44	0.51	0.35	0.41	0.47	0.54	0.37	0.44	0.50	0.57	0.40	0.46	0.53	0.60
		PI	2.20	2.20	2.20	2.21	2.33	2.33	2.34	2.34	2.47	2.47	2.48	2.48	2.62	2.62	2.63	2.63
	47	TC	28986	29025	29057	29096	30728	30764	30801	30837	32564	32606	32649	32685	34527	34565	34608	34651
		S/T	0.33	0.39	0.44	0.51	0.35	0.41	0.47	0.54	0.37	0.44	0.50	0.57	0.40	0.47	0.53	0.60
		PI	2.21	2.22	2.22	2.22	2.35	2.35	2.35	2.35	2.49	2.49	2.49	2.50	2.64	2.64	2.64	2.65
	50	TC	28961	29000	29033	29072	30702	30738	30775	30811	32536	32579	32621	32657	34498	34535	34578	34621
		S/T	0.33	0.39	0.45	0.51	0.35	0.42	0.47	0.54	0.38	0.44	0.50	0.57	0.40	0.47	0.53	0.60
		PI	2.22	2.22	2.22	2.23	2.35	2.36	2.36	2.36	2.49	2.50	2.50	2.50	2.64	2.65	2.65	2.65
	59	TC	28887	28926	28958	28998	30623	30660	30696	30732	32453	32495	32538	32574	34410	34447	34490	34533
		S/T	0.34	0.39	0.45	0.51	0.36	0.42	0.47	0.54	0.38	0.44	0.50	0.57	0.40	0.47	0.53	0.61
		PI	2.24	2.24	2.24	2.24	2.37	2.37	2.38	2.38	2.51	2.51	2.52	2.52	2.66	2.67	2.67	2.67
	68	TC	28813	28852	28884	28923	30545	30581	30617	30654	32370	32412	32455	32491	34322	34359	34402	34445
		S/T	0.34	0.40	0.45	0.51	0.36	0.42	0.48	0.54	0.38	0.44	0.51	0.58	0.40	0.47	0.54	0.61
		PI	2.25	2.25	2.26	2.26	2.39	2.39	2.39	2.40	2.53	2.53	2.54	2.54	2.68	2.68	2.69	2.69
	77	TC	28739	28778	28810	28849	30467	30503	30539	30575	32287	32329	32371	32407	34234	34271	34314	34356
		S/T	0.35	0.41	0.46	0.53	0.37	0.43	0.49	0.56	0.39	0.46	0.52	0.59	0.41	0.48	0.55	0.63
		PI	2.27	2.27	2.27	2.28	2.40	2.41	2.41	2.41	2.55	2.55	2.55	2.56	2.70	2.70	2.71	2.71
	86	TC	24878	24911	24939	24973	26373	26404	26435	26467	27949	27985	28021	28053	29634	29666	29703	29740
		S/T	0.35	0.41	0.47	0.53	0.37	0.44	0.50	0.57	0.39	0.46	0.53	0.60	0.42	0.49	0.56	0.64
		PI	2.46	2.46	2.46	2.47	2.60	2.61	2.61	2.61	2.76	2.76	2.77	2.77	2.93	2.93	2.93	2.94
	95	TC	23930	23962	23989	24021	25368	25398	25428	25458	26884	26919	26954	26984	28504	28535	28571	28606
		S/T	0.36	0.42	0.48	0.55	0.38	0.45	0.51	0.58	0.40	0.47	0.54	0.61	0.43	0.50	0.57	0.65
		PI	2.51	2.52	2.52	2.52	2.66	2.67	2.67	2.67	2.82	2.83	2.83	2.83	2.99	3.00	3.00	3.00
	104	TC	20711	20739	20762	20790	21956	21982	22008	22034	23268	23298	23328	23354	24670	24697	24728	24759
		S/T	0.38	0.44	0.50	0.57	0.40	0.47	0.53	0.61	0.42	0.50	0.57	0.65	0.45	0.53	0.60	0.68
		PI	5.41	5.41	5.42	5.43	5.73	5.74	5.75	5.75	6.08	6.08	6.09	6.10	6.44	6.45	6.46	6.46
	114.8	TC	16848	16871	16890	16913	17861	17882	17903	17924	18928	18953	18977	18999	20069	20091	20116	20141
		S/T	0.38	0.45	0.51	0.58	0.41	0.48	0.54	0.62	0.43	0.50	0.57	0.65	0.46	0.53	0.61	0.69
		PI	8.88	8.89	8.90	8.92	9.42	9.43	9.44	9.45	9.98	9.99	10.00	10.01	10.58	10.59	10.60	10.62
	122	TC	14273	14292	14308	14328	15131	15149	15167	15185	16035	16056	16077	16095	17002	17020	17042	17063
		S/T	0.40	0.46	0.53	0.60	0.42	0.49	0.56	0.64	0.44	0.52	0.59	0.68	0.47	0.55	0.63	0.72
		PI	11.20	11.21	11.22	11.24	11.87	11.88	11.90	11.91	12.58	12.60	12.61	12.63	13.34	13.35	13.37	13.39

NON-DUCTED COOLING PERFORMANCE 36R (Sheet 3 of 4)

AIRFLOW (CFM)	OUTDOOR DB (°F)	ID WB (°F) ID DB (°F)	60.8				64.4				66.2				71.6			
			73.4	77.0	80.6	84.2	73.4	77.0	80.6	84.2	73.4	77.0	80.0	84.2	73.4	77.0	80.6	84.2
1280	-22	TC	46195	46257	46309	46372	48972	49030	49088	49146	51898	51965	52033	52091	55027	55086	55155	55224
		S/T	0.48	0.56	0.63	0.72	0.50	0.59	0.67	0.77	0.53	0.63	0.71	0.81	0.57	0.67	0.76	0.86
		PI	2.91	2.91	2.91	2.92	3.08	3.09	3.09	3.09	3.27	3.27	3.28	3.28	3.46	3.47	3.47	3.48
	-10	TC	45589	45651	45702	45763	48329	48387	48444	48501	51217	51284	51351	51408	54305	54364	54432	54499
		S/T	0.48	0.56	0.64	0.73	0.51	0.60	0.68	0.77	0.54	0.63	0.72	0.82	0.57	0.67	0.76	0.87
		PI	3.00	3.00	3.00	3.01	3.18	3.18	3.18	3.19	3.37	3.37	3.38	3.38	3.57	3.57	3.58	3.58
	0	TC	45084	45145	45196	45257	47794	47851	47907	47964	50650	50716	50782	50839	53704	53762	53829	53896
		S/T	0.48	0.57	0.64	0.73	0.51	0.60	0.68	0.78	0.54	0.64	0.72	0.82	0.57	0.67	0.77	0.87
		PI	3.07	3.07	3.08	3.08	3.25	3.26	3.26	3.27	3.45	3.45	3.46	3.46	3.66	3.66	3.67	3.67
	5	TC	44832	44892	44943	45003	47527	47583	47639	47696	50367	50432	50498	50554	53403	53461	53527	53594
		S/T	0.48	0.57	0.64	0.73	0.51	0.60	0.68	0.78	0.54	0.64	0.72	0.83	0.58	0.68	0.77	0.88
		PI	3.11	3.11	3.11	3.12	3.29	3.30	3.30	3.31	3.49	3.50	3.50	3.50	3.70	3.71	3.71	3.71
	14	TC	44378	44437	44487	44547	47045	47101	47156	47212	49856	49921	49986	50042	52862	52919	52985	53051
		S/T	0.49	0.57	0.65	0.74	0.51	0.60	0.69	0.78	0.55	0.64	0.73	0.83	0.58	0.68	0.77	0.88
		PI	3.17	3.18	3.18	3.19	3.36	3.37	3.37	3.38	3.57	3.57	3.58	3.58	3.78	3.78	3.79	3.79
	17	TC	44226	44286	44335	44395	46884	46940	46995	47051	49686	49750	49815	49871	52681	52739	52804	52870
		S/T	0.49	0.57	0.65	0.74	0.52	0.61	0.69	0.78	0.55	0.64	0.73	0.83	0.58	0.68	0.77	0.88
		PI	3.20	3.20	3.20	3.21	3.39	3.39	3.40	3.40	3.59	3.60	3.60	3.60	3.81	3.81	3.82	3.82
	23	TC	44024	44083	44133	44192	46670	46725	46781	46836	49459	49523	49588	49643	52441	52498	52563	52628
		S/T	0.49	0.57	0.65	0.74	0.52	0.61	0.69	0.79	0.55	0.64	0.73	0.83	0.58	0.68	0.78	0.88
		PI	3.21	3.22	3.22	3.22	3.40	3.41	3.41	3.42	3.61	3.61	3.62	3.62	3.82	3.83	3.83	3.84
	32	TC	43721	43780	43829	43888	46349	46404	46459	46514	49119	49183	49247	49301	52080	52136	52201	52266
		S/T	0.49	0.58	0.65	0.75	0.52	0.61	0.69	0.79	0.55	0.65	0.74	0.84	0.58	0.69	0.78	0.89
		PI	3.23	3.24	3.24	3.25	3.43	3.43	3.44	3.44	3.63	3.64	3.64	3.65	3.85	3.86	3.86	3.86
	41	TC	43317	43376	43424	43483	45921	45975	46030	46084	48665	48728	48792	48846	51599	51655	51719	51784
		S/T	0.49	0.58	0.66	0.75	0.52	0.61	0.70	0.79	0.55	0.65	0.74	0.84	0.59	0.69	0.78	0.89
		PI	3.26	3.27	3.27	3.28	3.46	3.46	3.47	3.47	3.67	3.67	3.68	3.68	3.89	3.89	3.90	3.90
	47	TC	43014	43072	43121	43179	45600	45654	45708	45762	48325	48387	48450	48504	51238	51294	51357	51421
		S/T	0.49	0.58	0.66	0.75	0.52	0.61	0.70	0.80	0.56	0.65	0.74	0.84	0.59	0.69	0.78	0.89
		PI	3.28	3.29	3.29	3.30	3.48	3.49	3.49	3.49	3.69	3.70	3.70	3.70	3.91	3.92	3.92	3.93
	50	TC	42978	43036	43084	43142	45561	45615	45669	45723	48284	48346	48409	48463	51194	51250	51314	51378
		S/T	0.50	0.58	0.66	0.75	0.53	0.62	0.70	0.80	0.56	0.65	0.74	0.85	0.59	0.69	0.79	0.90
		PI	3.29	3.30	3.30	3.31	3.49	3.49	3.50	3.50	3.70	3.70	3.71	3.71	3.92	3.93	3.93	3.94
	59	TC	42868	42926	42974	43032	45445	45499	45553	45607	48160	48223	48286	48340	51064	51119	51183	51247
		S/T	0.50	0.58	0.66	0.76	0.53	0.62	0.70	0.80	0.56	0.66	0.75	0.85	0.59	0.70	0.79	0.90
		PI	3.32	3.32	3.33	3.33	3.52	3.52	3.52	3.53	3.73	3.73	3.74	3.74	3.95	3.96	3.96	3.97
	68	TC	42759	42816	42864	42922	45329	45382	45436	45490	48037	48100	48162	48216	50933	50988	51052	51115
		S/T	0.50	0.59	0.67	0.76	0.53	0.62	0.71	0.81	0.56	0.66	0.75	0.86	0.60	0.70	0.80	0.91
		PI	3.34	3.35	3.35	3.35	3.54	3.55	3.55	3.55	3.75	3.76	3.76	3.77	3.98	3.98	3.99	3.99
	77	TC	42649	42706	42754	42812	45212	45266	45319	45373	47914	47976	48039	48092	50802	50858	50921	50984
		S/T	0.51	0.60	0.69	0.78	0.54	0.64	0.73	0.83	0.58	0.68	0.77	0.88	0.61	0.72	0.82	0.93
		PI	3.37	3.37	3.37	3.38	3.57	3.57	3.58	3.58	3.78	3.79	3.79	3.79	4.01	4.01	4.02	4.02
	86	TC	36918	36968	37009	37059	39137	39183	39230	39276	41476	41530	41584	41630	43976	44024	44079	44133
		S/T	0.52	0.61	0.69	0.79	0.55	0.65	0.74	0.84	0.59	0.69	0.78	0.89	0.62	0.73	0.83	0.94
		PI	3.65	3.65	3.65	3.66	3.86	3.87	3.87	3.88	4.10	4.10	4.11	4.11	4.34	4.35	4.35	4.36
	95	TC	35511	35559	35599	35647	37646	37690	37735	37780	39895	39947	39999	40044	42300	42346	42399	42452
		S/T	0.53	0.63	0.71	0.81	0.57	0.66	0.75	0.86	0.60	0.70	0.80	0.91	0.64	0.75	0.85	0.97
		PI	3.73	3.73	3.74	3.74	3.95	3.96	3.96	3.97	4.19	4.19	4.20	4.20	4.44	4.45	4.45	4.46
104	TC	30735	30776	30810	30852	32582	32620	32659	32698	34529	34574	34619	34657	36610	36650	36696	36741	
	S/T	0.56	0.66	0.75	0.85	0.59	0.70	0.79	0.90	0.63	0.74	0.84	0.96	0.67	0.78	0.89	1.02	
	PI	8.02	8.04	8.04	8.06	8.51	8.52	8.53	8.54	9.02	9.03	9.04	9.05	9.56	9.57	9.58	9.59	
114.8	TC	25003	25036	25064	25098	26505	26537	26568	26600	28089	28126	28162	28194	29782	29815	29852	29889	
	S/T	0.57	0.67	0.76	0.86	0.60	0.71	0.80	0.91	0.64	0.75	0.85	0.97	0.68	0.79	0.90	1.03	
	PI	13.18	13.20	13.21	13.23	13.97	13.99	14.00	14.02	14.81	14.83	14.85	14.86	15.70	15.72	15.74	15.76	
122	TC	21181	21210	21234	21262	22454	22481	22508	22534	23796	23827	23858	23885	25231	25258	25289	25321	
	S/T	0.59	0.69	0.78	0.89	0.62	0.73	0.83	0.95	0.66	0.77	0.88	1.00	0.70	0.82	0.93	1.06	
	PI	16.62	16.64	16.66	16.68	17.62	17.64	17.66	17.68	18.67	18.69	18.72	18.74	19.79	19.81	19.84	19.86	

NON-DUCTED COOLING PERFORMANCE 36R (Sheet 4 of 4)

AIRFLOW (CFM)	OUTDOOR DB (°F)	ID WB (°F) ID DB (°F)	60.8				64.4				66.2				71.6			
			73.4	77.0	80.6	84.2	73.4	77.0	80.6	84.2	73.4	77.0	80.0	84.20	73.4	77.0	80.6	84.2
1400	-22	TC	50026	50093	50149	50217	53032	53095	53158	53221	56201	56274	56348	56411	59589	59654	59728	59803
		S/T	0.52	0.60	0.69	0.78	0.55	0.64	0.73	0.83	0.58	0.68	0.77	0.88	0.61	0.72	0.82	0.93
		PI	3.15	3.15	3.16	3.16	3.34	3.34	3.35	3.35	3.54	3.54	3.55	3.55	3.75	3.75	3.76	3.76
	-10	TC	49370	49436	49491	49558	52337	52399	52461	52523	55464	55536	55609	55671	58808	58872	58945	59019
		S/T	0.52	0.61	0.69	0.79	0.55	0.65	0.73	0.84	0.58	0.68	0.78	0.89	0.62	0.73	0.82	0.94
		PI	3.24	3.25	3.25	3.26	3.44	3.44	3.45	3.45	3.65	3.65	3.65	3.66	3.87	3.87	3.87	3.88
	0	TC	48823	48889	48943	49009	51757	51819	51880	51942	54850	54921	54993	55054	58157	58220	58292	58365
		S/T	0.52	0.61	0.70	0.79	0.55	0.65	0.74	0.84	0.59	0.69	0.78	0.89	0.62	0.73	0.83	0.94
		PI	3.32	3.33	3.33	3.34	3.52	3.53	3.53	3.54	3.74	3.74	3.75	3.75	3.96	3.96	3.97	3.97
	5	TC	48550	48615	48669	48735	51467	51528	51590	51651	54543	54614	54685	54746	57831	57894	57966	58038
		S/T	0.52	0.61	0.70	0.80	0.55	0.65	0.74	0.84	0.59	0.69	0.78	0.89	0.62	0.73	0.83	0.95
		PI	3.36	3.37	3.37	3.38	3.57	3.57	3.58	3.58	3.78	3.79	3.79	3.79	4.01	4.01	4.02	4.02
	14	TC	48057	48122	48176	48241	50946	51006	51067	51127	53990	54060	54131	54191	57245	57307	57379	57450
		S/T	0.53	0.62	0.70	0.80	0.56	0.65	0.74	0.85	0.59	0.69	0.79	0.90	0.63	0.74	0.84	0.95
		PI	3.44	3.44	3.45	3.45	3.64	3.65	3.65	3.66	3.86	3.87	3.87	3.88	4.09	4.10	4.10	4.11
	17	TC	47893	47958	48012	48076	50772	50832	50892	50953	53806	53876	53946	54006	57050	57112	57183	57254
		S/T	0.53	0.62	0.70	0.80	0.56	0.66	0.75	0.85	0.59	0.69	0.79	0.90	0.63	0.74	0.84	0.95
		PI	3.46	3.47	3.47	3.47	3.67	3.67	3.68	3.68	3.89	3.89	3.90	3.90	4.12	4.13	4.13	4.14
	23	TC	47675	47739	47792	47857	50540	50600	50660	50720	53560	53630	53700	53760	56789	56851	56922	56992
		S/T	0.53	0.62	0.70	0.80	0.56	0.66	0.75	0.85	0.59	0.70	0.79	0.90	0.63	0.74	0.84	0.96
		PI	3.48	3.48	3.49	3.49	3.69	3.69	3.69	3.70	3.91	3.91	3.92	3.92	4.14	4.15	4.15	4.16
	32	TC	47347	47410	47464	47528	50192	50252	50311	50371	53192	53261	53330	53390	56398	56460	56530	56600
		S/T	0.53	0.62	0.71	0.81	0.56	0.66	0.75	0.86	0.60	0.70	0.80	0.91	0.63	0.74	0.84	0.96
		PI	3.50	3.51	3.51	3.51	3.71	3.72	3.72	3.72	3.93	3.94	3.94	3.95	4.17	4.18	4.18	4.19
	41	TC	46909	46972	47025	47089	49729	49788	49847	49906	52700	52769	52837	52896	55877	55938	56008	56077
		S/T	0.53	0.63	0.71	0.81	0.57	0.66	0.75	0.86	0.60	0.70	0.80	0.91	0.64	0.75	0.85	0.97
		PI	3.53	3.54	3.54	3.55	3.75	3.75	3.75	3.76	3.97	3.97	3.98	3.98	4.21	4.21	4.22	4.22
	47	TC	46581	46644	46696	46759	49381	49439	49498	49557	52332	52400	52468	52527	55487	55547	55616	55685
		S/T	0.54	0.63	0.71	0.81	0.57	0.67	0.76	0.86	0.60	0.71	0.80	0.91	0.64	0.75	0.85	0.97
		PI	3.56	3.56	3.57	3.57	3.77	3.78	3.78	3.78	4.00	4.00	4.01	4.01	4.24	4.24	4.25	4.25
	50	TC	46542	46604	46657	46720	49339	49397	49456	49515	52287	52355	52423	52482	55439	55500	55569	55638
		S/T	0.54	0.63	0.72	0.82	0.57	0.67	0.76	0.86	0.60	0.71	0.80	0.92	0.64	0.75	0.85	0.97
		PI	3.57	3.57	3.57	3.58	3.78	3.78	3.79	3.79	4.01	4.01	4.02	4.02	4.25	4.25	4.26	4.26
	59	TC	46423	46485	46538	46600	49213	49271	49330	49388	52154	52222	52290	52348	55298	55358	55427	55496
		S/T	0.54	0.63	0.72	0.82	0.57	0.67	0.76	0.87	0.61	0.71	0.81	0.92	0.64	0.75	0.86	0.98
		PI	3.59	3.60	3.60	3.61	3.81	3.81	3.82	3.82	4.04	4.04	4.05	4.05	4.28	4.28	4.29	4.29
	68	TC	46304	46366	46418	46481	49087	49145	49204	49262	52020	52088	52156	52214	55156	55216	55285	55354
		S/T	0.54	0.64	0.72	0.82	0.57	0.67	0.77	0.87	0.61	0.71	0.81	0.93	0.65	0.76	0.86	0.98
		PI	3.62	3.62	3.63	3.63	3.84	3.84	3.84	3.85	4.07	4.07	4.08	4.08	4.31	4.31	4.32	4.33
	77	TC	46185	46248	46299	46362	48961	49019	49077	49136	51887	51954	52022	52080	55015	55075	55143	55212
		S/T	0.56	0.65	0.74	0.85	0.59	0.69	0.79	0.90	0.63	0.73	0.83	0.95	0.66	0.78	0.88	1.01
		PI	3.64	3.65	3.65	3.66	3.86	3.87	3.87	3.88	4.09	4.10	4.11	4.11	4.34	4.35	4.35	4.36
	86	TC	39979	40033	40078	40132	42382	42432	42483	42533	44915	44973	45032	45082	47622	47674	47734	47793
		S/T	0.56	0.66	0.75	0.86	0.60	0.70	0.80	0.91	0.63	0.74	0.84	0.96	0.67	0.79	0.90	1.02
		PI	3.95	3.95	3.96	3.96	4.19	4.19	4.20	4.20	4.44	4.44	4.45	4.45	4.70	4.71	4.71	4.72
	95	TC	38456	38508	38551	38603	40767	40815	40864	40912	43203	43259	43316	43364	45808	45858	45915	45972
		S/T	0.58	0.68	0.77	0.88	0.61	0.72	0.82	0.93	0.65	0.76	0.87	0.99	0.69	0.81	0.92	1.05
		PI	4.04	4.04	4.05	4.05	4.28	4.29	4.29	4.30	4.54	4.54	4.55	4.55	4.81	4.82	4.82	4.83
104	TC	33283	33328	33365	33410	35283	35325	35367	35409	37392	37440	37489	37531	39646	39689	39739	39788	
	S/T	0.61	0.71	0.81	0.92	0.64	0.76	0.86	0.98	0.68	0.80	0.91	1.04	0.72	0.85	0.96	1.10	
	PI	8.69	8.70	8.71	8.72	9.21	9.22	9.23	9.25	9.76	9.78	9.79	9.80	10.35	10.36	10.38	10.39	
114.8	TC	27076	27112	27143	27179	28703	28737	28771	28805	30418	30458	30497	30531	32252	32287	32327	32368	
	S/T	0.61	0.72	0.82	0.93	0.65	0.76	0.87	0.99	0.69	0.81	0.92	1.05	0.73	0.86	0.98	1.11	
	PI	14.27	14.29	14.31	14.33	15.13	15.15	15.17	15.18	16.03	16.06	16.08	16.09	17.00	17.02	17.04	17.06	
122	TC	22938	22968	22994	23025	24316	24345	24374	24403	25769	25803	25836	25865	27323	27352	27386	27421	
	S/T	0.64	0.75	0.85	0.97	0.67	0.79	0.90	1.02	0.71	0.84	0.95	1.09	0.76	0.89	1.01	1.15	
	PI	17.99	18.02	18.04	18.06	19.08	19.10	19.12	19.14	20.22	20.24	20.27	20.29	21.43	21.46	21.48	21.51	

NOTE: Data highlighted in gray is extrapolated data and not actual test data. At 77°F outdoor conditions sweat protection activates causing a decrease in total capacity.

LEGEND

- TC - Total Net Capacity (Btu/hour)
- S/T: Sensible Cooling Capacity Ratio
- PI: Power Input (kW)
- Extrapolated Data

COOLING PERFORMANCE NON-DUCTED

COOLING PERFORMANCE 36HH (HIGHT HEAT)

NON-DUCTED COOLING PERFORMANCE 36HH (Sheet 1 of 4)

AIRFLOW (CFM)	OUTDOOR DB (°F)	ID WB (°F) ID DB (°F)	60.8				64.4				66.2				71.6			
			73.4	77.0	80.6	84.2	73.4	77.0	80.6	84.2	73.4	77.0	80.0	84.20	73.4	77.0	80.6	84.2
656	-22	TC	24784	24818	24846	24879	26274	26305	26336	26368	27844	27880	27916	27948	29523	29555	29591	29628
		S/T	0.22	0.25	0.29	0.33	0.23	0.27	0.31	0.35	0.24	0.28	0.32	0.37	0.26	0.30	0.34	0.39
		PI	1.28	1.28	1.28	1.28	1.35	1.35	1.36	1.36	1.43	1.44	1.44	1.44	1.52	1.52	1.52	1.53
	-10	TC	24468	24501	24528	24561	25938	25969	26000	26031	27488	27524	27560	27590	29145	29177	29213	29250
		S/T	0.22	0.26	0.29	0.33	0.23	0.27	0.31	0.35	0.24	0.29	0.33	0.37	0.26	0.30	0.35	0.39
		PI	1.36	1.36	1.36	1.36	1.44	1.44	1.44	1.44	1.52	1.53	1.53	1.53	1.62	1.62	1.62	1.62
	0	TC	24204	24236	24263	24296	25658	25689	25719	25750	27192	27227	27262	27293	28831	28862	28898	28934
		S/T	0.22	0.26	0.29	0.33	0.23	0.27	0.31	0.35	0.25	0.29	0.33	0.37	0.26	0.31	0.35	0.40
		PI	1.42	1.43	1.43	1.43	1.51	1.51	1.51	1.52	1.60	1.60	1.60	1.61	1.70	1.70	1.70	1.70
	5	TC	24072	24104	24131	24164	25518	25549	25579	25609	27043	27079	27114	27144	28674	28705	28741	28776
		S/T	0.22	0.26	0.29	0.33	0.23	0.27	0.31	0.35	0.25	0.29	0.33	0.37	0.26	0.31	0.35	0.40
		PI	1.46	1.46	1.46	1.46	1.55	1.55	1.55	1.55	1.64	1.64	1.64	1.64	1.74	1.74	1.74	1.74
	14	TC	23834	23866	23893	23925	25267	25297	25327	25357	26777	26811	26846	26876	28391	28422	28457	28492
		S/T	0.22	0.26	0.29	0.34	0.23	0.27	0.31	0.36	0.25	0.29	0.33	0.38	0.26	0.31	0.35	0.40
		PI	1.52	1.52	1.52	1.53	1.61	1.61	1.61	1.62	1.71	1.71	1.71	1.71	1.81	1.81	1.81	1.82
	17	TC	23755	23787	23814	23846	25183	25213	25242	25272	26688	26722	26757	26787	28296	28327	28362	28398
		S/T	0.22	0.26	0.29	0.34	0.23	0.27	0.31	0.36	0.25	0.29	0.33	0.38	0.26	0.31	0.35	0.40
		PI	1.54	1.54	1.54	1.55	1.63	1.63	1.64	1.64	1.73	1.73	1.73	1.74	1.83	1.84	1.84	1.84
	23	TC	23597	23628	23655	23687	25015	25044	25074	25104	26510	26544	26579	26608	28108	28138	28173	28208
		S/T	0.22	0.26	0.30	0.34	0.24	0.28	0.31	0.36	0.25	0.29	0.33	0.38	0.26	0.31	0.35	0.40
		PI	1.57	1.57	1.57	1.57	1.66	1.66	1.66	1.67	1.76	1.76	1.76	1.77	1.87	1.87	1.87	1.87
	32	TC	23359	23390	23417	23448	24763	24792	24822	24851	26243	26277	26311	26340	27825	27855	27890	27924
		S/T	0.22	0.26	0.30	0.34	0.24	0.28	0.31	0.36	0.25	0.29	0.33	0.38	0.27	0.31	0.35	0.40
		PI	1.61	1.61	1.61	1.61	1.70	1.71	1.71	1.71	1.81	1.81	1.81	1.81	1.91	1.92	1.92	1.92
	41	TC	23121	23153	23179	23210	24511	24540	24569	24598	25976	26010	26043	26073	27542	27572	27606	27640
		S/T	0.22	0.26	0.30	0.34	0.24	0.28	0.32	0.36	0.25	0.30	0.34	0.38	0.27	0.31	0.36	0.41
		PI	1.63	1.63	1.63	1.64	1.73	1.73	1.73	1.73	1.83	1.83	1.84	1.84	1.94	1.94	1.95	1.95
	47	TC	22963	22994	23020	23051	24343	24372	24401	24430	25798	25831	25865	25894	27353	27383	27417	27451
		S/T	0.22	0.26	0.30	0.34	0.24	0.28	0.32	0.36	0.25	0.30	0.34	0.38	0.27	0.31	0.36	0.41
		PI	1.64	1.64	1.64	1.65	1.74	1.74	1.74	1.75	1.84	1.85	1.85	1.85	1.95	1.96	1.96	1.96
	50	TC	22901	22932	22957	22988	24277	24306	24335	24364	25728	25761	25795	25824	27279	27309	27343	27377
		S/T	0.23	0.26	0.30	0.34	0.24	0.28	0.32	0.36	0.25	0.30	0.34	0.38	0.27	0.31	0.36	0.41
		PI	1.64	1.64	1.65	1.65	1.74	1.74	1.75	1.75	1.85	1.85	1.85	1.85	1.96	1.96	1.96	1.96
	59	TC	22714	22745	22770	22801	24079	24108	24137	24165	25518	25551	25585	25613	27057	27086	27120	27154
		S/T	0.23	0.27	0.30	0.34	0.24	0.28	0.32	0.36	0.25	0.30	0.34	0.39	0.27	0.32	0.36	0.41
		PI	1.65	1.65	1.65	1.65	1.75	1.75	1.75	1.75	1.85	1.85	1.86	1.86	1.96	1.97	1.97	1.97
	68	TC	22528	22558	22583	22614	23882	23910	23938	23967	25309	25341	25374	25403	26834	26863	26897	26930
		S/T	0.23	0.27	0.30	0.35	0.24	0.28	0.32	0.37	0.26	0.30	0.34	0.39	0.27	0.32	0.36	0.41
		PI	1.65	1.66	1.66	1.66	1.75	1.76	1.76	1.76	1.86	1.86	1.86	1.86	1.97	1.97	1.97	1.98
	77	TC	22341	22371	22396	22426	23684	23712	23740	23768	25099	25131	25164	25192	26612	26641	26674	26707
		S/T	0.23	0.27	0.31	0.35	0.25	0.29	0.33	0.38	0.26	0.31	0.35	0.40	0.28	0.33	0.37	0.42
		PI	1.66	1.66	1.66	1.67	1.76	1.76	1.76	1.77	1.86	1.87	1.87	1.87	1.98	1.98	1.98	1.98
	86	TC	20898	20926	20950	20978	22154	22180	22206	22233	23478	23508	23539	23565	24893	24920	24951	24982
		S/T	0.24	0.28	0.32	0.36	0.25	0.29	0.33	0.38	0.27	0.31	0.35	0.40	0.28	0.33	0.38	0.43
		PI	1.82	1.82	1.83	1.83	1.93	1.93	1.94	1.94	2.05	2.05	2.05	2.05	2.17	2.17	2.18	2.18
	95	TC	20421	20449	20472	20499	21649	21674	21700	21726	22942	22972	23002	23028	24325	24352	24382	24413
		S/T	0.24	0.28	0.32	0.37	0.26	0.30	0.34	0.39	0.27	0.32	0.36	0.41	0.29	0.34	0.39	0.44
		PI	1.86	1.87	1.87	1.87	1.98	1.98	1.98	1.98	2.09	2.10	2.10	2.10	2.22	2.22	2.23	2.23
104	TC	18051	18075	18095	18120	19136	19158	19181	19204	20279	20306	20332	20355	21502	21525	21552	21579	
	S/T	0.25	0.30	0.34	0.39	0.27	0.32	0.36	0.41	0.29	0.34	0.38	0.43	0.30	0.36	0.40	0.46	
	PI	4.15	4.16	4.16	4.17	4.40	4.41	4.41	4.42	4.67	4.67	4.68	4.68	4.95	4.95	4.96	4.97	
114.8	TC	15206	15227	15244	15264	16120	16139	16158	16177	17083	17106	17128	17147	18113	18133	18155	18178	
	S/T	0.26	0.30	0.34	0.39	0.27	0.32	0.36	0.42	0.29	0.34	0.39	0.44	0.31	0.36	0.41	0.47	
	PI	6.90	6.91	6.92	6.93	7.32	7.33	7.34	7.34	7.76	7.77	7.78	7.79	8.22	8.23	8.24	8.25	
122	TC	13310	13328	13343	13361	14110	14126	14143	14160	14953	14972	14992	15008	15854	15871	15891	15911	
	S/T	0.27	0.31	0.36	0.41	0.28	0.33	0.38	0.43	0.30	0.35	0.40	0.46	0.32	0.37	0.42	0.48	
	PI	8.74	8.75	8.76	8.77	9.26	9.27	9.28	9.29	9.82	9.83	9.84	9.85	10.41	10.42	10.43	10.44	

NON-DUCTED COOLING PERFORMANCE 36HH (Sheet 2 of 4)

AIRFLOW (CFM)	OUTDOOR DB (°F)	ID WB (°F) ID DB (°F)	60.8				64.4				66.2				71.6			
			73.4	77.0	80.6	84.2	73.4	77.0	80.6	84.2	73.4	77.0	80.0	84.20	73.4	77.0	80.6	84.2
			TC	S/T	PI	TC	S/T	PI	TC	S/T	PI	TC	S/T	PI	TC	S/T	PI	TC
854	-22	TC	31946	31988	32024	32068	33866	33906	33946	33986	35889	35936	35983	36023	38053	38094	38142	38189
		S/T	0.32	0.38	0.43	0.49	0.34	0.40	0.45	0.52	0.36	0.42	0.48	0.55	0.38	0.45	0.51	0.58
		PI	1.88	1.89	1.89	1.89	2.00	2.00	2.00	2.00	2.12	2.12	2.12	2.13	2.24	2.25	2.25	2.25
	-10	TC	31537	31580	31615	31658	33433	33472	33512	33552	35431	35477	35523	35562	37567	37607	37654	37701
		S/T	0.32	0.38	0.43	0.49	0.34	0.40	0.46	0.52	0.36	0.43	0.48	0.55	0.38	0.45	0.51	0.58
		PI	2.00	2.01	2.01	2.01	2.12	2.13	2.13	2.13	2.25	2.25	2.26	2.26	2.39	2.39	2.39	2.40
	0	TC	31197	31239	31274	31316	33072	33111	33151	33190	35048	35094	35140	35179	37161	37202	37248	37294
		S/T	0.32	0.38	0.43	0.49	0.34	0.40	0.46	0.52	0.36	0.43	0.49	0.55	0.39	0.45	0.52	0.59
		PI	2.10	2.11	2.11	2.11	2.23	2.23	2.24	2.24	2.36	2.37	2.37	2.37	2.51	2.51	2.51	2.52
	5	TC	31027	31069	31104	31146	32892	32931	32970	33009	34857	34903	34948	34987	36959	36999	37045	37091
		S/T	0.33	0.38	0.43	0.50	0.35	0.41	0.46	0.52	0.37	0.43	0.49	0.56	0.39	0.46	0.52	0.59
		PI	2.15	2.16	2.16	2.16	2.28	2.29	2.29	2.29	2.42	2.42	2.43	2.43	2.57	2.57	2.57	2.57
	14	TC	30721	30762	30797	30838	32567	32606	32644	32683	34513	34558	34603	34642	36594	36634	36679	36725
		S/T	0.33	0.38	0.44	0.50	0.35	0.41	0.46	0.53	0.37	0.43	0.49	0.56	0.39	0.46	0.52	0.59
		PI	2.24	2.25	2.25	2.25	2.38	2.38	2.38	2.39	2.52	2.52	2.53	2.53	2.67	2.68	2.68	2.68
	17	TC	30619	30660	30694	30736	32459	32497	32536	32575	34399	34443	34488	34527	36472	36512	36557	36603
		S/T	0.33	0.38	0.44	0.50	0.35	0.41	0.46	0.53	0.37	0.43	0.49	0.56	0.39	0.46	0.52	0.59
		PI	2.27	2.28	2.28	2.28	2.41	2.41	2.42	2.42	2.55	2.56	2.56	2.56	2.71	2.71	2.71	2.72
	23	TC	30415	30456	30490	30531	32243	32281	32319	32357	34169	34214	34258	34296	36229	36269	36314	36359
		S/T	0.33	0.39	0.44	0.50	0.35	0.41	0.46	0.53	0.37	0.43	0.49	0.56	0.39	0.46	0.52	0.60
		PI	2.31	2.32	2.32	2.32	2.45	2.46	2.46	2.46	2.60	2.60	2.61	2.61	2.76	2.76	2.76	2.77
	32	TC	30108	30149	30183	30223	31918	31956	31994	32032	33825	33869	33913	33951	35864	35903	35948	35993
		S/T	0.33	0.39	0.44	0.50	0.35	0.41	0.47	0.53	0.37	0.44	0.50	0.56	0.39	0.46	0.53	0.60
		PI	2.37	2.38	2.38	2.38	2.52	2.52	2.52	2.52	2.67	2.67	2.67	2.68	2.83	2.83	2.83	2.84
	41	TC	29802	29842	29876	29916	31593	31631	31668	31706	33481	33525	33568	33606	35500	35538	35583	35627
		S/T	0.33	0.39	0.44	0.51	0.35	0.41	0.47	0.54	0.37	0.44	0.50	0.57	0.40	0.46	0.53	0.60
		PI	2.41	2.41	2.41	2.42	2.55	2.56	2.56	2.56	2.71	2.71	2.71	2.72	2.87	2.87	2.88	2.88
	47	TC	29598	29638	29671	29711	31377	31414	31451	31489	33252	33295	33339	33376	35257	35295	35339	35383
		S/T	0.33	0.39	0.44	0.51	0.35	0.41	0.47	0.54	0.37	0.44	0.50	0.57	0.40	0.47	0.53	0.60
		PI	2.42	2.43	2.43	2.43	2.57	2.57	2.57	2.58	2.72	2.73	2.73	2.73	2.89	2.89	2.89	2.90
	50	TC	29518	29558	29591	29631	31292	31329	31366	31403	33162	33205	33248	33285	35161	35199	35243	35287
		S/T	0.33	0.39	0.45	0.51	0.35	0.42	0.47	0.54	0.38	0.44	0.50	0.57	0.40	0.47	0.53	0.60
		PI	2.43	2.43	2.43	2.43	2.57	2.57	2.58	2.58	2.73	2.73	2.73	2.74	2.89	2.89	2.90	2.90
	59	TC	29277	29317	29350	29389	31037	31074	31111	31147	32892	32934	32977	33014	34874	34912	34956	34999
		S/T	0.34	0.39	0.45	0.51	0.36	0.42	0.47	0.54	0.38	0.44	0.50	0.57	0.40	0.47	0.53	0.61
		PI	2.43	2.44	2.44	2.44	2.58	2.58	2.59	2.59	2.73	2.74	2.74	2.74	2.90	2.90	2.91	2.91
	68	TC	29037	29076	29108	29148	30782	30818	30855	30891	32621	32664	32706	32743	34588	34625	34669	34712
		S/T	0.34	0.40	0.45	0.51	0.36	0.42	0.48	0.54	0.38	0.44	0.51	0.58	0.40	0.47	0.54	0.61
		PI	2.44	2.45	2.45	2.45	2.59	2.59	2.59	2.60	2.74	2.75	2.75	2.75	2.91	2.91	2.92	2.92
	77	TC	28796	28835	28867	28906	30527	30563	30599	30635	32351	32393	32435	32471	34301	34338	34381	34424
		S/T	0.35	0.41	0.46	0.53	0.37	0.43	0.49	0.56	0.39	0.46	0.52	0.59	0.41	0.48	0.55	0.63
		PI	2.45	2.45	2.46	2.46	2.60	2.60	2.60	2.61	2.75	2.76	2.76	2.76	2.92	2.92	2.93	2.93
	86	TC	26936	26972	27003	27039	28555	28589	28623	28657	30261	30301	30340	30374	32086	32121	32161	32201
		S/T	0.35	0.41	0.47	0.53	0.37	0.44	0.50	0.57	0.39	0.46	0.53	0.60	0.42	0.49	0.56	0.64
		PI	2.69	2.69	2.70	2.70	2.85	2.86	2.86	2.86	3.02	3.03	3.03	3.03	3.20	3.21	3.21	3.22
	95	TC	26322	26357	26387	26422	27904	27937	27970	28003	29571	29610	29648	29681	31354	31388	31427	31466
		S/T	0.36	0.42	0.48	0.55	0.38	0.45	0.51	0.58	0.40	0.47	0.54	0.61	0.43	0.50	0.57	0.65
		PI	2.75	2.76	2.76	2.76	2.92	2.92	2.92	2.93	3.09	3.10	3.10	3.10	3.28	3.28	3.29	3.29
104	TC	23266	23298	23324	23355	24665	24694	24723	24753	26139	26173	26207	26236	27714	27745	27779	27814	
	S/T	0.38	0.44	0.50	0.57	0.40	0.47	0.53	0.61	0.42	0.50	0.57	0.65	0.45	0.53	0.60	0.68	
	PI	6.14	6.14	6.15	6.16	6.50	6.51	6.52	6.53	6.89	6.90	6.91	6.92	7.31	7.32	7.33	7.33	
114.8	TC	19600	19626	19648	19675	20778	20802	20827	20852	22019	22048	22077	22101	23347	23372	23401	23430	
	S/T	0.38	0.45	0.51	0.58	0.41	0.48	0.54	0.62	0.43	0.50	0.57	0.65	0.46	0.53	0.61	0.69	
	PI	10.19	10.21	10.22	10.23	10.81	10.82	10.83	10.85	11.45	11.47	11.48	11.50	12.14	12.16	12.17	12.19	
122	TC	17155	17178	17198	17221	18187	18208	18230	18251	19273	19298	19323	19345	20435	20457	20483	20508	
	S/T	0.40	0.46	0.53	0.60	0.42	0.49	0.56	0.64	0.44	0.52	0.59	0.68	0.47	0.55	0.63	0.72	
	PI	12.90	12.92	12.93	12.95	13.68	13.69	13.71	13.73	14.49	14.51	14.53	14.55	15.37	15.38	15.40	15.42	

NON-DUCTED COOLING PERFORMANCE 36HH (Sheet 3 of 4)

AIRFLOW (CFM)	OUTDOOR DB (°F)	ID WB (°F) ID DB (°F)	60.8				64.4				66.2				71.6			
			73.4	77.0	80.6	84.2	73.4	77.0	80.6	84.2	73.4	77.0	80.0	84.20	73.4	77.0	80.6	84.2
			TC	S/T	PI	TC	S/T	PI	TC	S/T	PI	TC	S/T	PI	TC	S/T	PI	TC
1280	-22	TC	47407	47471	47524	47588	50256	50316	50375	50435	53259	53328	53398	53457	56470	56531	56602	56672
		S/T	0.48	0.56	0.63	0.72	0.50	0.59	0.67	0.77	0.53	0.63	0.71	0.81	0.57	0.67	0.76	0.86
		PI	2.80	2.80	2.80	2.81	2.96	2.97	2.97	2.98	3.14	3.15	3.15	3.15	3.33	3.33	3.34	3.34
	-10	TC	46801	46864	46917	46980	49614	49673	49732	49791	52579	52647	52715	52774	55748	55809	55878	55948
		S/T	0.48	0.56	0.64	0.73	0.51	0.60	0.68	0.77	0.54	0.63	0.72	0.82	0.57	0.67	0.76	0.87
		PI	2.97	2.98	2.98	2.99	3.15	3.16	3.16	3.16	3.34	3.35	3.35	3.35	3.54	3.55	3.55	3.56
	0	TC	46296	46358	46410	46473	49079	49137	49195	49253	52011	52079	52147	52205	55147	55207	55276	55344
		S/T	0.48	0.57	0.64	0.73	0.51	0.60	0.68	0.78	0.54	0.64	0.72	0.82	0.57	0.67	0.77	0.87
		PI	3.12	3.13	3.13	3.13	3.31	3.31	3.32	3.32	3.51	3.51	3.52	3.52	3.72	3.72	3.73	3.73
	5	TC	46044	46106	46157	46220	48811	48869	48927	48985	51728	51795	51862	51920	54846	54906	54974	55043
		S/T	0.48	0.57	0.64	0.73	0.51	0.60	0.68	0.78	0.54	0.64	0.72	0.83	0.58	0.68	0.77	0.88
		PI	3.20	3.20	3.20	3.21	3.39	3.39	3.40	3.40	3.59	3.60	3.60	3.60	3.81	3.81	3.82	3.82
	14	TC	45589	45651	45702	45763	48329	48387	48444	48501	51217	51284	51351	51408	54305	54364	54432	54499
		S/T	0.49	0.57	0.65	0.74	0.51	0.60	0.69	0.78	0.55	0.64	0.73	0.83	0.58	0.68	0.77	0.88
		PI	3.33	3.33	3.34	3.34	3.53	3.53	3.54	3.54	3.74	3.75	3.75	3.75	3.97	3.97	3.98	3.98
	17	TC	45438	45499	45550	45611	48169	48226	48283	48340	51047	51114	51180	51237	54125	54183	54251	54318
		S/T	0.49	0.57	0.65	0.74	0.52	0.61	0.69	0.78	0.55	0.64	0.73	0.83	0.58	0.68	0.77	0.88
		PI	3.37	3.38	3.38	3.39	3.58	3.58	3.58	3.59	3.79	3.80	3.80	3.80	4.02	4.02	4.03	4.03
	23	TC	45135	45196	45246	45307	47848	47904	47961	48018	50707	50773	50839	50896	53764	53822	53889	53956
		S/T	0.49	0.57	0.65	0.74	0.52	0.61	0.69	0.79	0.55	0.64	0.73	0.83	0.58	0.68	0.78	0.88
		PI	3.43	3.44	3.44	3.45	3.64	3.64	3.65	3.65	3.86	3.86	3.87	3.87	4.09	4.09	4.10	4.10
	32	TC	44681	44741	44791	44851	47366	47422	47478	47535	50196	50262	50327	50383	53222	53280	53347	53413
		S/T	0.49	0.58	0.65	0.75	0.52	0.61	0.69	0.79	0.55	0.65	0.74	0.84	0.58	0.69	0.78	0.89
		PI	3.52	3.53	3.53	3.54	3.73	3.74	3.74	3.75	3.96	3.96	3.97	3.97	4.19	4.20	4.20	4.21
	41	TC	44226	44286	44335	44395	46884	46940	46995	47051	49686	49750	49815	49871	52681	52739	52804	52870
		S/T	0.49	0.58	0.66	0.75	0.52	0.61	0.70	0.79	0.55	0.65	0.74	0.84	0.59	0.69	0.78	0.89
		PI	3.57	3.58	3.58	3.59	3.79	3.79	3.80	3.80	4.01	4.02	4.03	4.03	4.26	4.26	4.27	4.27
	47	TC	43923	43982	44032	44091	46563	46618	46674	46729	49346	49410	49474	49529	52320	52377	52442	52508
		S/T	0.49	0.58	0.66	0.75	0.52	0.61	0.70	0.80	0.56	0.65	0.74	0.84	0.59	0.69	0.78	0.89
		PI	3.60	3.60	3.60	3.61	3.81	3.82	3.82	3.83	4.04	4.04	4.05	4.05	4.28	4.29	4.29	4.30
	50	TC	43804	43863	43912	43972	46437	46492	46547	46602	49212	49276	49340	49395	52179	52235	52300	52365
		S/T	0.50	0.58	0.66	0.75	0.53	0.62	0.70	0.80	0.56	0.65	0.74	0.85	0.59	0.69	0.79	0.90
		PI	3.60	3.60	3.61	3.61	3.82	3.82	3.83	3.83	4.04	4.05	4.05	4.06	4.29	4.29	4.30	4.30
	59	TC	43447	43506	43554	43613	46058	46113	46168	46222	48811	48874	48938	48992	51753	51810	51874	51939
		S/T	0.50	0.58	0.66	0.76	0.53	0.62	0.70	0.80	0.56	0.66	0.75	0.85	0.59	0.70	0.79	0.90
		PI	3.61	3.62	3.62	3.63	3.83	3.83	3.84	3.84	4.06	4.06	4.07	4.07	4.30	4.31	4.31	4.32
	68	TC	43090	43148	43196	43255	45680	45734	45788	45843	48410	48473	48536	48590	51328	51384	51448	51512
		S/T	0.50	0.59	0.67	0.76	0.53	0.62	0.71	0.81	0.56	0.66	0.75	0.86	0.60	0.70	0.80	0.91
		PI	3.62	3.63	3.63	3.64	3.84	3.85	3.85	3.86	4.07	4.08	4.08	4.09	4.32	4.32	4.33	4.33
	77	TC	42733	42790	42839	42896	45301	45355	45409	45463	48008	48071	48133	48187	50903	50958	51021	51085
		S/T	0.51	0.60	0.69	0.78	0.54	0.64	0.73	0.83	0.58	0.68	0.77	0.88	0.61	0.72	0.82	0.93
		PI	3.64	3.64	3.64	3.65	3.85	3.86	3.86	3.87	4.08	4.09	4.10	4.10	4.33	4.34	4.34	4.35
	86	TC	39973	40027	40072	40126	42376	42426	42476	42526	44908	44966	45025	45075	47615	47667	47726	47785
		S/T	0.52	0.61	0.69	0.79	0.55	0.65	0.74	0.84	0.59	0.69	0.78	0.89	0.62	0.73	0.83	0.94
		PI	3.99	4.00	4.00	4.01	4.23	4.24	4.24	4.25	4.49	4.49	4.50	4.50	4.76	4.76	4.77	4.77
	95	TC	39061	39114	39158	39211	41409	41458	41507	41557	43884	43941	43998	44047	46529	46580	46638	46696
		S/T	0.53	0.63	0.71	0.81	0.57	0.66	0.75	0.86	0.60	0.70	0.80	0.91	0.64	0.75	0.85	0.97
		PI	4.08	4.09	4.09	4.10	4.33	4.33	4.34	4.34	4.59	4.59	4.60	4.61	4.86	4.87	4.88	4.88
	104	TC	34527	34574	34612	34659	36602	36646	36689	36733	38790	38840	38890	38934	41128	41173	41224	41275
		S/T	0.56	0.66	0.75	0.85	0.59	0.70	0.79	0.90	0.63	0.74	0.84	0.96	0.67	0.78	0.89	1.02
		PI	9.10	9.12	9.13	9.14	9.65	9.66	9.67	9.69	10.23	10.24	10.26	10.27	10.85	10.86	10.87	10.88
	114.8	TC	29086	29125	29158	29197	30834	30871	30907	30944	32677	32719	32762	32798	34646	34684	34727	34771
		S/T	0.57	0.67	0.76	0.86	0.60	0.71	0.80	0.91	0.64	0.75	0.85	0.97	0.68	0.79	0.90	1.03
		PI	15.13	15.15	15.17	15.19	16.04	16.06	16.08	16.10	17.00	17.02	17.04	17.06	18.02	18.04	18.06	18.09
	122	TC	25458	25493	25521	25556	26989	27021	27053	27085	28601	28638	28676	28708	30326	30359	30396	30434
		S/T	0.59	0.69	0.78	0.89	0.62	0.73	0.83	0.95	0.66	0.77	0.88	1.00	0.70	0.82	0.93	1.06
		PI	19.15	19.17	19.19	19.22	20.30	20.32	20.34	20.37	21.51	21.54	21.57	21.59	22.81	22.83	22.86	22.89

NON-DUCTED COOLING PERFORMANCE 36HH (Sheet 4 of 4)

AIRFLOW (CFM)	OUTDOOR DB (°F)	ID WB (°F) ID DB (°F)	60.8				64.4				66.2				71.6			
			73.4	77.0	80.6	84.2	73.4	77.0	80.6	84.2	73.4	77.0	80.0	84.20	73.4	77.0	80.6	84.2
1400	-22	TC	51338	51407	51465	51534	54423	54488	54552	54617	57676	57750	57826	57890	61152	61219	61295	61371
		S/T	0.52	0.60	0.69	0.78	0.55	0.64	0.73	0.83	0.58	0.68	0.77	0.88	0.61	0.72	0.82	0.93
		PI	3.03	3.03	3.04	3.04	3.21	3.21	3.22	3.22	3.40	3.41	3.41	3.42	3.61	3.61	3.62	3.62
	-10	TC	50682	50750	50807	50875	53728	53792	53855	53919	56938	57012	57087	57150	60371	60437	60512	60587
		S/T	0.52	0.61	0.69	0.79	0.55	0.65	0.73	0.84	0.58	0.68	0.78	0.89	0.62	0.73	0.82	0.94
		PI	3.22	3.23	3.23	3.23	3.41	3.42	3.42	3.43	3.62	3.62	3.63	3.63	3.84	3.84	3.85	3.85
	0	TC	50135	50202	50259	50327	53148	53211	53274	53338	56324	56397	56471	56534	59720	59785	59859	59934
		S/T	0.52	0.61	0.70	0.79	0.55	0.65	0.74	0.84	0.59	0.69	0.78	0.89	0.62	0.73	0.83	0.94
		PI	3.38	3.39	3.39	3.39	3.58	3.59	3.59	3.60	3.80	3.80	3.81	3.81	4.03	4.03	4.04	4.04
	5	TC	49862	49929	49985	50052	52859	52921	52984	53047	56017	56090	56163	56226	59394	59459	59533	59607
		S/T	0.52	0.61	0.70	0.80	0.55	0.65	0.74	0.84	0.59	0.69	0.78	0.89	0.62	0.73	0.83	0.95
		PI	3.46	3.47	3.47	3.47	3.67	3.67	3.68	3.68	3.89	3.89	3.90	3.90	4.12	4.13	4.13	4.14
	14	TC	49370	49436	49491	49558	52337	52399	52461	52523	55464	55536	55609	55671	58808	58872	58945	59019
		S/T	0.53	0.62	0.70	0.80	0.56	0.65	0.74	0.85	0.59	0.69	0.79	0.90	0.63	0.74	0.84	0.95
		PI	3.61	3.61	3.61	3.62	3.82	3.83	3.83	3.84	4.05	4.06	4.06	4.07	4.29	4.30	4.30	4.31
	17	TC	49206	49272	49327	49394	52163	52225	52287	52349	55280	55352	55424	55486	58613	58676	58749	58822
		S/T	0.53	0.62	0.70	0.80	0.56	0.66	0.75	0.85	0.59	0.69	0.79	0.90	0.63	0.74	0.84	0.95
		PI	3.65	3.66	3.66	3.67	3.87	3.88	3.88	3.89	4.10	4.11	4.12	4.12	4.35	4.36	4.36	4.37
	23	TC	48878	48943	48998	49064	51815	51877	51938	52000	54912	54983	55054	55116	58222	58285	58358	58430
		S/T	0.53	0.62	0.70	0.80	0.56	0.66	0.75	0.85	0.59	0.70	0.79	0.90	0.63	0.74	0.84	0.96
		PI	3.72	3.72	3.73	3.73	3.94	3.95	3.95	3.95	4.18	4.18	4.19	4.19	4.43	4.43	4.44	4.44
	32	TC	48386	48451	48505	48570	51294	51354	51415	51476	54359	54429	54500	54561	57636	57698	57770	57842
		S/T	0.53	0.62	0.71	0.81	0.56	0.66	0.75	0.86	0.60	0.70	0.80	0.91	0.63	0.74	0.84	0.96
		PI	3.81	3.82	3.82	3.83	4.04	4.05	4.05	4.06	4.28	4.29	4.30	4.30	4.54	4.55	4.55	4.56
	41	TC	47893	47958	48012	48076	50772	50832	50892	50953	53806	53876	53946	54006	57050	57112	57183	57254
		S/T	0.53	0.63	0.71	0.81	0.57	0.66	0.75	0.86	0.60	0.70	0.80	0.91	0.64	0.75	0.85	0.97
		PI	3.87	3.87	3.88	3.88	4.10	4.11	4.11	4.12	4.35	4.35	4.36	4.36	4.61	4.61	4.62	4.63
	47	TC	47565	47629	47683	47747	50424	50484	50544	50604	53437	53507	53576	53636	56659	56720	56791	56862
		S/T	0.54	0.63	0.71	0.81	0.57	0.67	0.76	0.86	0.60	0.71	0.80	0.91	0.64	0.75	0.85	0.97
		PI	3.89	3.90	3.90	3.91	4.13	4.13	4.14	4.14	4.37	4.38	4.39	4.39	4.64	4.64	4.65	4.65
50	TC	47437	47500	47554	47618	50288	50347	50407	50467	53293	53362	53431	53491	56505	56567	56637	56708	
	S/T	0.54	0.63	0.72	0.82	0.57	0.67	0.76	0.86	0.60	0.71	0.80	0.92	0.64	0.75	0.85	0.97	
	PI	3.90	3.90	3.91	3.91	4.13	4.14	4.14	4.15	4.38	4.39	4.39	4.40	4.64	4.65	4.65	4.66	
59	TC	47050	47113	47166	47230	49878	49937	49996	50055	52858	52927	52996	53055	56045	56106	56175	56245	
	S/T	0.54	0.63	0.72	0.82	0.57	0.67	0.76	0.87	0.61	0.71	0.81	0.92	0.64	0.75	0.86	0.98	
	PI	3.91	3.92	3.92	3.93	4.15	4.15	4.16	4.16	4.39	4.40	4.41	4.41	4.66	4.66	4.67	4.68	
68	TC	46663	46726	46778	46841	49468	49526	49585	49644	52424	52492	52560	52619	55584	55645	55714	55783	
	S/T	0.54	0.64	0.72	0.82	0.57	0.67	0.77	0.87	0.61	0.71	0.81	0.93	0.65	0.76	0.86	0.98	
	PI	3.92	3.93	3.93	3.94	4.16	4.17	4.17	4.17	4.41	4.41	4.42	4.43	4.67	4.68	4.69	4.69	
77	TC	46276	46339	46391	46453	49058	49116	49174	49233	51989	52057	52125	52183	55124	55183	55252	55321	
	S/T	0.56	0.65	0.74	0.85	0.59	0.69	0.79	0.90	0.63	0.73	0.83	0.95	0.66	0.78	0.88	1.01	
	PI	3.94	3.94	3.95	3.95	4.17	4.18	4.18	4.19	4.42	4.43	4.43	4.44	4.69	4.70	4.70	4.71	
86	TC	43288	43346	43394	43453	45889	45944	45998	46053	48632	48695	48758	48812	51563	51619	51683	51748	
	S/T	0.56	0.66	0.75	0.86	0.60	0.70	0.80	0.91	0.63	0.74	0.84	0.96	0.67	0.79	0.90	1.02	
	PI	4.32	4.33	4.33	4.34	4.58	4.59	4.59	4.60	4.86	4.86	4.87	4.88	5.15	5.16	5.16	5.17	
95	TC	42300	42357	42405	42462	44843	44896	44949	45002	47522	47584	47646	47699	50387	50442	50505	50568	
	S/T	0.58	0.68	0.77	0.88	0.61	0.72	0.82	0.93	0.65	0.76	0.87	0.99	0.69	0.81	0.92	1.05	
	PI	4.42	4.43	4.43	4.44	4.69	4.69	4.70	4.71	4.97	4.97	4.98	4.99	5.27	5.27	5.28	5.29	
104	TC	37390	37440	37482	37533	39637	39684	39731	39779	42006	42061	42115	42162	44538	44587	44642	44698	
	S/T	0.61	0.71	0.81	0.92	0.64	0.76	0.86	0.98	0.68	0.80	0.91	1.04	0.72	0.85	0.96	1.10	
	PI	9.86	9.87	9.88	9.90	10.45	10.46	10.48	10.49	11.08	11.09	11.11	11.12	11.74	11.76	11.77	11.79	
114.8	TC	31498	31540	31575	31618	33391	33430	33470	33510	35386	35432	35478	35518	37519	37560	37607	37654	
	S/T	0.61	0.72	0.82	0.93	0.65	0.76	0.87	0.99	0.69	0.81	0.92	1.05	0.73	0.86	0.98	1.11	
122	TC	27569	27607	27638	27675	29226	29261	29296	29331	30973	31013	31054	31088	32840	32876	32917	32958	
	S/T	0.64	0.75	0.85	0.97	0.67	0.79	0.90	1.02	0.71	0.84	0.95	1.09	0.76	0.89	1.01	1.15	
	PI	20.73	20.76	20.78	20.81	21.98	22.01	22.03	22.06	23.29	23.32	23.35	23.38	24.70	24.72	24.75	24.79	

NOTE: Data highlighted in gray is extrapolated data and not actual test data. At 77°F outdoor conditions sweat protection activates causing a decrease in total capacity.

LEGEND

TC - Total Net Capacity (Btu/hour)
S/T: Sensible Cooling Capacity Ratio
PI: Power Input (kW)
Extrapolated Data

COOLING PERFORMANCE NON-DUCTED

COOLING PERFORMANCE 48R (STANDARD)

NON-DUCTED COOLING PERFORMANCE 48R (Sheet 1 of 4)

AIRFLOW (CFM)	OUTDOOR DB (°F)	ID WB (°F)	60.8				64.4				66.2				71.6			
			ID DB (°F)				ID DB (°F)				ID DB (°F)				ID DB (°F)			
			73.4	77.0	80.6	84.2	73.4	77.0	80.6	84.2	73.4	77.0	80.0	84.20	73.4	77.0	80.6	84.2
820	-22	TC	27001	27038	27068	27105	28624	28658	28692	28726	30335	30374	30414	30448	32164	32199	32239	32279
		S/T	0.22	0.25	0.29	0.33	0.23	0.27	0.31	0.35	0.24	0.29	0.32	0.37	0.26	0.30	0.34	0.39
		PI	1.53	1.53	1.53	1.54	1.62	1.62	1.63	1.63	1.72	1.72	1.72	1.73	1.82	1.83	1.83	1.83
	-10	TC	26685	26721	26751	26787	28289	28322	28356	28389	29979	30018	30057	30091	31786	31821	31860	31900
		S/T	0.22	0.26	0.29	0.33	0.23	0.27	0.31	0.35	0.24	0.29	0.33	0.37	0.26	0.30	0.35	0.39
		PI	1.57	1.57	1.58	1.58	1.67	1.67	1.67	1.67	1.77	1.77	1.77	1.77	1.87	1.87	1.88	1.88
	0	TC	26421	26456	26486	26522	28009	28042	28075	28109	29682	29721	29760	29793	31472	31506	31545	31585
		S/T	0.22	0.26	0.29	0.33	0.23	0.27	0.31	0.35	0.25	0.29	0.33	0.37	0.26	0.31	0.35	0.40
		PI	1.61	1.61	1.61	1.61	1.70	1.70	1.71	1.71	1.80	1.81	1.81	1.81	1.91	1.91	1.92	1.92
	5	TC	26289	26324	26354	26389	27869	27902	27935	27968	29534	29573	29611	29644	31315	31349	31388	31427
		S/T	0.22	0.26	0.29	0.33	0.23	0.27	0.31	0.35	0.25	0.29	0.33	0.38	0.26	0.31	0.35	0.40
		PI	1.62	1.62	1.63	1.63	1.72	1.72	1.72	1.73	1.82	1.82	1.83	1.83	1.93	1.93	1.94	1.94
	14	TC	26051	26086	26116	26151	27617	27650	27683	27715	29267	29305	29343	29376	31032	31065	31104	31143
		S/T	0.22	0.26	0.29	0.34	0.23	0.27	0.31	0.36	0.25	0.29	0.33	0.38	0.26	0.31	0.35	0.40
		PI	1.65	1.65	1.66	1.66	1.75	1.75	1.76	1.76	1.86	1.86	1.86	1.86	1.97	1.97	1.97	1.98
	17	TC	25972	26007	26036	26071	27533	27566	27598	27631	29178	29216	29254	29287	30937	30971	31010	31048
		S/T	0.22	0.26	0.29	0.34	0.23	0.28	0.31	0.36	0.25	0.29	0.33	0.38	0.26	0.31	0.35	0.40
		PI	1.66	1.66	1.67	1.67	1.76	1.76	1.77	1.77	1.87	1.87	1.87	1.87	1.98	1.98	1.99	1.99
	23	TC	25867	25901	25930	25965	27421	27454	27486	27519	29060	29098	29135	29168	30812	30845	30883	30922
		S/T	0.22	0.26	0.30	0.34	0.24	0.28	0.31	0.36	0.25	0.29	0.33	0.38	0.26	0.31	0.35	0.40
		PI	1.68	1.68	1.68	1.68	1.78	1.78	1.78	1.78	1.88	1.89	1.89	1.89	2.00	2.00	2.00	2.00
	32	TC	25708	25743	25772	25806	27253	27286	27318	27350	28882	28919	28957	28989	30623	30656	30694	30733
		S/T	0.22	0.26	0.30	0.34	0.24	0.28	0.32	0.36	0.25	0.29	0.33	0.38	0.27	0.31	0.35	0.40
		PI	1.70	1.70	1.70	1.70	1.80	1.80	1.80	1.80	1.91	1.91	1.91	1.91	2.02	2.02	2.03	2.03
	41	TC	25497	25531	25560	25594	27029	27061	27094	27126	28645	28682	28719	28751	30371	30404	30442	30480
		S/T	0.22	0.26	0.30	0.34	0.24	0.28	0.32	0.36	0.25	0.30	0.34	0.38	0.27	0.31	0.36	0.41
		PI	1.72	1.73	1.73	1.73	1.83	1.83	1.83	1.83	1.94	1.94	1.94	1.94	2.05	2.06	2.06	2.06
	47	TC	25339	25373	25401	25435	26862	26893	26925	26957	28467	28504	28541	28573	30183	30216	30253	30291
		S/T	0.22	0.26	0.30	0.34	0.24	0.28	0.32	0.36	0.25	0.30	0.34	0.38	0.27	0.31	0.36	0.41
		PI	1.74	1.75	1.75	1.75	1.85	1.85	1.85	1.86	1.96	1.96	1.96	1.97	2.08	2.08	2.08	2.08
	50	TC	25314	25348	25376	25410	26835	26867	26899	26931	28439	28476	28513	28544	30153	30186	30223	30261
		S/T	0.23	0.26	0.30	0.34	0.24	0.28	0.32	0.36	0.25	0.30	0.34	0.38	0.27	0.31	0.36	0.41
		PI	1.75	1.75	1.76	1.76	1.86	1.86	1.86	1.86	1.97	1.97	1.97	1.97	2.09	2.09	2.09	2.09
	59	TC	25239	25273	25301	25335	26756	26787	26819	26851	28354	28391	28428	28460	30064	30096	30134	30171
		S/T	0.23	0.27	0.30	0.34	0.24	0.28	0.32	0.36	0.25	0.30	0.34	0.39	0.27	0.32	0.36	0.41
		PI	1.77	1.78	1.78	1.78	1.88	1.88	1.88	1.89	1.99	1.99	2.00	2.00	2.11	2.11	2.12	2.12
	68	TC	25164	25197	25226	25260	26676	26708	26739	26771	28270	28307	28344	28375	29974	30007	30044	30082
		S/T	0.23	0.27	0.30	0.35	0.24	0.28	0.32	0.37	0.26	0.30	0.34	0.39	0.27	0.32	0.36	0.41
		PI	1.80	1.80	1.80	1.80	1.90	1.91	1.91	1.91	2.02	2.02	2.02	2.02	2.14	2.14	2.14	2.15
	77	TC	25089	25122	25151	25184	26596	26628	26660	26691	28186	28222	28259	28291	29885	29917	29955	29992
		S/T	0.23	0.27	0.31	0.36	0.25	0.29	0.33	0.38	0.26	0.31	0.35	0.40	0.28	0.33	0.37	0.42
		PI	1.82	1.82	1.82	1.82	1.93	1.93	1.93	1.93	2.04	2.04	2.05	2.05	2.16	2.17	2.17	2.17
	86	TC	23607	23638	23665	23697	25026	25055	25085	25115	26521	26555	26590	26620	28120	28150	28185	28220
		S/T	0.24	0.28	0.32	0.36	0.25	0.29	0.33	0.38	0.27	0.31	0.35	0.40	0.28	0.33	0.38	0.43
		PI	1.94	1.94	1.95	1.95	2.06	2.06	2.06	2.07	2.18	2.18	2.19	2.19	2.31	2.32	2.32	2.32
	95	TC	23207	23238	23264	23296	24602	24631	24660	24689	26072	26106	26140	26169	27644	27674	27708	27743
		S/T	0.24	0.28	0.32	0.37	0.26	0.30	0.34	0.39	0.27	0.32	0.36	0.41	0.29	0.34	0.39	0.44
		PI	1.99	1.99	1.99	1.99	2.11	2.11	2.11	2.11	2.23	2.24	2.24	2.24	2.37	2.37	2.37	2.38
104	TC	20580	20608	20631	20659	21817	21843	21869	21895	23121	23151	23181	23207	24515	24541	24572	24602	
	S/T	0.25	0.30	0.34	0.39	0.27	0.32	0.36	0.41	0.29	0.34	0.38	0.44	0.30	0.36	0.40	0.46	
	PI	3.86	3.86	3.87	3.87	4.09	4.10	4.10	4.10	4.33	4.34	4.35	4.35	4.60	4.60	4.61	4.61	
114.8	TC	17428	17451	17471	17494	18475	18497	18519	18541	19579	19605	19630	19652	20760	20782	20808	20834	
	S/T	0.26	0.30	0.34	0.39	0.27	0.32	0.36	0.42	0.29	0.34	0.39	0.44	0.31	0.36	0.41	0.47	
	PI	6.10	6.11	6.12	6.13	6.47	6.48	6.49	6.49	6.86	6.87	6.88	6.88	7.27	7.28	7.29	7.30	
122	TC	15326	15347	15364	15385	16247	16267	16286	16305	17218	17241	17263	17282	18256	18276	18299	18322	
	S/T	0.27	0.31	0.36	0.41	0.28	0.33	0.38	0.43	0.30	0.35	0.40	0.46	0.32	0.37	0.42	0.48	
	PI	7.60	7.61	7.62	7.63	8.06	8.07	8.08	8.09	8.54	8.55	8.56	8.57	9.05	9.06	9.07	9.09	

NON-DUCTED COOLING PERFORMANCE 48R (Sheet 3 of 4)

AIRFLOW (CFM)	OUTDOOR DB (°F)	ID WB (°F) ID DB (°F)	60.8				64.4				66.2				71.6			
			73.4	77.0	80.6	84.2	73.4	77.0	80.6	84.2	73.4	77.0	80.0	84.20	73.4	77.0	80.6	84.2
			TC	S/T	PI	TC	S/T	PI	TC	S/T	PI	TC	S/T	PI	TC	S/T	PI	TC
1600	-22	TC	51648	51717	51775	51845	54752	54817	54882	54947	58024	58099	58175	58240	61522	61588	61665	61742
		S/T	0.48	0.56	0.63	0.72	0.50	0.59	0.67	0.77	0.53	0.63	0.71	0.81	0.57	0.67	0.76	0.86
		PI	3.35	3.36	3.36	3.36	3.55	3.56	3.56	3.57	3.77	3.77	3.78	3.78	3.99	4.00	4.00	4.01
	-10	TC	51042	51111	51168	51237	54110	54174	54238	54302	57343	57418	57492	57556	60800	60866	60942	61018
		S/T	0.48	0.56	0.64	0.73	0.51	0.60	0.68	0.77	0.54	0.63	0.72	0.82	0.57	0.67	0.76	0.87
		PI	3.44	3.44	3.45	3.45	3.65	3.65	3.66	3.66	3.86	3.87	3.88	3.88	4.10	4.10	4.11	4.11
	0	TC	50537	50605	50662	50730	53574	53638	53701	53765	56776	56850	56924	56987	60199	60264	60339	60414
		S/T	0.48	0.57	0.64	0.73	0.51	0.60	0.68	0.78	0.54	0.64	0.72	0.82	0.57	0.67	0.77	0.87
		PI	3.51	3.52	3.52	3.53	3.73	3.73	3.73	3.74	3.95	3.95	3.96	3.96	4.19	4.19	4.20	4.20
	5	TC	50285	50352	50409	50477	53307	53370	53433	53497	56492	56566	56639	56702	59898	59963	60038	60112
		S/T	0.48	0.57	0.64	0.73	0.51	0.60	0.68	0.78	0.54	0.64	0.72	0.83	0.58	0.68	0.77	0.88
		PI	3.55	3.56	3.56	3.56	3.76	3.77	3.77	3.78	3.99	3.99	4.00	4.00	4.23	4.23	4.24	4.25
	14	TC	49830	49897	49953	50021	52825	52888	52950	53013	55982	56054	56127	56190	59357	59421	59495	59569
		S/T	0.49	0.57	0.65	0.74	0.51	0.60	0.69	0.78	0.55	0.64	0.73	0.83	0.58	0.68	0.77	0.88
		PI	3.62	3.62	3.63	3.63	3.84	3.84	3.84	3.85	4.06	4.07	4.08	4.08	4.31	4.31	4.32	4.32
	17	TC	49679	49746	49801	49869	52665	52727	52789	52852	55812	55884	55957	56019	59176	59241	59314	59388
		S/T	0.49	0.57	0.65	0.74	0.52	0.61	0.69	0.78	0.55	0.64	0.73	0.83	0.58	0.68	0.77	0.88
		PI	3.64	3.64	3.65	3.65	3.86	3.86	3.87	3.87	4.09	4.09	4.10	4.10	4.34	4.34	4.35	4.35
	23	TC	49477	49543	49599	49666	52450	52513	52575	52637	55585	55657	55729	55792	58936	59000	59073	59147
		S/T	0.49	0.57	0.65	0.74	0.52	0.61	0.69	0.79	0.55	0.64	0.73	0.83	0.58	0.68	0.78	0.88
		PI	3.67	3.67	3.68	3.68	3.89	3.89	3.90	3.90	4.12	4.13	4.13	4.14	4.37	4.38	4.38	4.39
	32	TC	49174	49240	49295	49362	52129	52191	52253	52315	55244	55316	55388	55450	58575	58638	58711	58785
		S/T	0.49	0.58	0.65	0.75	0.52	0.61	0.69	0.79	0.55	0.65	0.74	0.84	0.58	0.69	0.78	0.89
		PI	3.71	3.72	3.72	3.73	3.94	3.94	3.95	3.95	4.17	4.18	4.18	4.19	4.42	4.43	4.43	4.44
41	TC	48770	48836	48890	48956	51701	51762	51824	51885	54791	54862	54933	54995	58094	58157	58229	58302	
	S/T	0.49	0.58	0.66	0.75	0.52	0.61	0.70	0.79	0.55	0.65	0.74	0.84	0.59	0.69	0.78	0.89	
	PI	3.77	3.78	3.78	3.79	4.00	4.00	4.01	4.01	4.24	4.24	4.25	4.25	4.49	4.50	4.51	4.51	
47	TC	48467	48532	48587	48652	51380	51441	51502	51563	54450	54521	54592	54653	57733	57796	57868	57940	
	S/T	0.49	0.58	0.66	0.75	0.52	0.61	0.70	0.80	0.56	0.65	0.74	0.84	0.59	0.69	0.78	0.89	
	PI	3.82	3.82	3.83	3.83	4.05	4.05	4.06	4.06	4.29	4.29	4.30	4.30	4.55	4.55	4.56	4.56	
50	TC	48419	48484	48539	48604	51329	51390	51451	51512	54397	54467	54538	54599	57676	57739	57810	57882	
	S/T	0.50	0.58	0.66	0.75	0.53	0.62	0.70	0.80	0.56	0.65	0.74	0.85	0.59	0.69	0.79	0.90	
	PI	3.83	3.84	3.84	3.85	4.06	4.07	4.07	4.08	4.31	4.31	4.32	4.32	4.57	4.57	4.58	4.58	
59	TC	48276	48341	48395	48460	51177	51238	51299	51359	54235	54306	54377	54437	57505	57567	57639	57711	
	S/T	0.50	0.58	0.66	0.76	0.53	0.62	0.70	0.80	0.56	0.66	0.75	0.85	0.59	0.70	0.79	0.90	
	PI	3.88	3.89	3.89	3.90	4.12	4.12	4.13	4.13	4.36	4.37	4.37	4.38	4.62	4.63	4.63	4.64	
68	TC	48132	48197	48251	48316	51025	51086	51146	51207	54074	54144	54215	54275	57334	57396	57468	57539	
	S/T	0.50	0.59	0.67	0.76	0.53	0.62	0.71	0.81	0.56	0.66	0.75	0.86	0.60	0.70	0.80	0.91	
	PI	3.93	3.94	3.94	3.95	4.17	4.17	4.18	4.18	4.42	4.42	4.43	4.43	4.68	4.69	4.69	4.70	
77	TC	47989	48053	48107	48172	50873	50933	50994	51054	53913	53983	54053	54114	57163	57225	57296	57368	
	S/T	0.51	0.60	0.69	0.78	0.54	0.64	0.73	0.83	0.58	0.68	0.77	0.88	0.61	0.72	0.82	0.93	
	PI	3.98	3.98	3.99	3.99	4.22	4.22	4.23	4.23	4.47	4.48	4.48	4.49	4.74	4.74	4.75	4.76	
86	TC	45154	45215	45266	45327	47868	47925	47982	48039	50729	50794	50861	50917	53787	53845	53912	53979	
	S/T	0.52	0.61	0.69	0.79	0.55	0.65	0.74	0.84	0.59	0.69	0.78	0.89	0.62	0.73	0.83	0.94	
	PI	4.25	4.26	4.26	4.27	4.51	4.51	4.52	4.52	4.78	4.78	4.79	4.79	5.06	5.07	5.07	5.08	
95	TC	44390	44449	44499	44559	47058	47113	47169	47225	49870	49935	49999	50055	52876	52934	52999	53065	
	S/T	0.53	0.63	0.71	0.81	0.57	0.66	0.75	0.86	0.60	0.70	0.80	0.91	0.64	0.75	0.85	0.97	
	PI	4.35	4.36	4.36	4.37	4.61	4.62	4.62	4.63	4.89	4.89	4.90	4.91	5.18	5.19	5.19	5.20	
104	TC	39365	39418	39462	39515	41731	41780	41830	41880	44225	44282	44340	44389	46891	46942	47000	47059	
	S/T	0.56	0.66	0.75	0.85	0.59	0.70	0.79	0.90	0.63	0.74	0.84	0.96	0.67	0.78	0.89	1.02	
	PI	8.45	8.46	8.47	8.48	8.95	8.97	8.98	8.99	9.49	9.50	9.51	9.53	10.06	10.07	10.09	10.10	
114.8	TC	33335	33380	33418	33463	35339	35381	35423	35465	37451	37499	37548	37590	39708	39752	39801	39851	
	S/T	0.57	0.67	0.76	0.86	0.60	0.71	0.80	0.91	0.64	0.75	0.85	0.97	0.68	0.79	0.90	1.03	
	PI	13.36	13.38	13.40	13.41	14.17	14.18	14.20	14.22	15.01	15.03	15.05	15.07	15.92	15.94	15.96	15.97	
122	TC	29316	29355	29388	29428	31078	31115	31151	31188	32935	32978	33020	33057	34920	34958	35002	35045	
	S/T	0.59	0.69	0.78	0.89	0.62	0.73	0.83	0.95	0.66	0.77	0.88	1.00	0.70	0.82	0.93	1.06	
	PI	16.64	16.66	16.68	16.70	17.64	17.66	17.68	17.70	18.69	18.72	18.74	18.76	19.82	19.84	19.87	19.89	

NON-DUCTED COOLING PERFORMANCE 48R (Sheet 4 of 4)

AIRFLOW (CFM)	OUTDOOR DB (°F)	ID WB (°F)		60.8				64.4				66.2				71.6			
		ID DB (°F)	73.4	77.0	80.6	84.2	73.4	77.0	80.6	84.2	73.4	77.0	80.0	84.20	73.4	77.0	80.6	84.2	
																			TC
1750	-22	TC	55930	56006	56068	56144	56292	59362	59433	59503	62835	62917	62998	63069	66623	66695	66778	66862	
		S/T	0.52	0.60	0.69	0.78	0.55	0.64	0.73	0.83	0.58	0.68	0.77	0.88	0.61	0.72	0.82	0.93	
		PI	3.63	3.63	3.64	3.64	3.85	3.85	3.86	3.86	4.08	4.08	4.09	4.09	4.32	4.33	4.33	4.34	
	-10	TC	55274	55349	55411	55485	58596	58666	58735	58805	62098	62179	62259	62329	65841	65913	65995	66077	
		S/T	0.52	0.61	0.69	0.79	0.55	0.65	0.73	0.84	0.58	0.68	0.78	0.89	0.62	0.73	0.82	0.94	
		PI	3.73	3.73	3.73	3.74	3.95	3.95	3.96	3.96	4.19	4.19	4.20	4.20	4.44	4.44	4.45	4.45	
	0	TC	54728	54801	54863	54937	58017	58086	58154	58223	61484	61564	61644	61712	65190	65261	65342	65424	
		S/T	0.52	0.61	0.70	0.79	0.55	0.65	0.74	0.84	0.59	0.69	0.78	0.89	0.62	0.73	0.83	0.94	
		PI	3.81	3.81	3.82	3.82	4.03	4.04	4.04	4.05	4.28	4.28	4.29	4.29	4.53	4.54	4.54	4.55	
	5	TC	54454	54527	54589	54662	57727	57795	57864	57933	61177	61256	61336	61404	64865	64935	65016	65097	
		S/T	0.52	0.61	0.70	0.80	0.55	0.65	0.74	0.84	0.59	0.69	0.78	0.89	0.62	0.73	0.83	0.95	
		PI	3.85	3.85	3.86	3.86	4.08	4.08	4.09	4.09	4.32	4.33	4.33	4.34	4.58	4.59	4.59	4.60	
	14	TC	53962	54035	54095	54168	57205	57273	57341	57409	60624	60703	60782	60849	64278	64348	64428	64509	
		S/T	0.53	0.62	0.70	0.80	0.56	0.65	0.74	0.85	0.59	0.69	0.79	0.90	0.63	0.74	0.84	0.95	
		PI	3.92	3.92	3.93	3.93	4.15	4.16	4.16	4.17	4.40	4.41	4.41	4.42	4.67	4.67	4.68	4.68	
	17	TC	53798	53870	53931	54004	57032	57099	57167	57235	60440	60518	60597	60664	64083	64153	64233	64313	
		S/T	0.53	0.62	0.70	0.80	0.56	0.66	0.75	0.85	0.59	0.69	0.79	0.90	0.63	0.74	0.84	0.95	
		PI	3.94	3.95	3.95	3.96	4.18	4.18	4.19	4.19	4.43	4.43	4.44	4.44	4.70	4.70	4.71	4.71	
	23	TC	53579	53651	53712	53784	56800	56867	56934	57002	60194	60272	60350	60418	63823	63892	63971	64051	
		S/T	0.53	0.62	0.70	0.80	0.56	0.66	0.75	0.85	0.59	0.70	0.79	0.90	0.63	0.74	0.84	0.96	
		PI	3.97	3.98	3.98	3.99	4.21	4.22	4.22	4.23	4.46	4.47	4.48	4.48	4.73	4.74	4.74	4.75	
	32	TC	53251	53323	53383	53455	56452	56519	56586	56653	59825	59903	59981	60048	63432	63501	63580	63659	
		S/T	0.53	0.62	0.71	0.81	0.56	0.66	0.75	0.86	0.60	0.70	0.80	0.91	0.63	0.74	0.84	0.96	
		PI	4.02	4.03	4.03	4.04	4.26	4.27	4.27	4.28	4.52	4.52	4.53	4.54	4.79	4.80	4.80	4.81	
	41	TC	52814	52885	52944	53016	55988	56055	56121	56188	59334	59411	59488	59555	62911	62979	63058	63136	
		S/T	0.53	0.63	0.71	0.81	0.57	0.66	0.75	0.86	0.60	0.70	0.80	0.91	0.64	0.75	0.85	0.97	
		PI	4.09	4.09	4.10	4.10	4.33	4.34	4.34	4.35	4.59	4.60	4.60	4.61	4.87	4.87	4.88	4.88	
	47	TC	52486	52557	52616	52686	55641	55706	55772	55839	58965	59042	59119	59185	62520	62588	62666	62744	
		S/T	0.54	0.63	0.71	0.81	0.57	0.67	0.76	0.86	0.60	0.71	0.80	0.91	0.64	0.75	0.85	0.97	
		PI	4.13	4.14	4.14	4.15	4.38	4.39	4.39	4.40	4.64	4.65	4.66	4.66	4.92	4.93	4.94	4.94	
50	TC	52434	52505	52564	52634	55586	55651	55717	55784	58907	58984	59060	59126	62458	62526	62604	62682		
	S/T	0.54	0.63	0.72	0.82	0.57	0.67	0.76	0.86	0.60	0.71	0.80	0.92	0.64	0.75	0.85	0.97		
	PI	4.15	4.16	4.16	4.17	4.40	4.41	4.41	4.42	4.66	4.67	4.68	4.68	4.95	4.95	4.96	4.96		
59	TC	52279	52349	52408	52479	55421	55487	55552	55618	58733	58809	58885	58951	62273	62341	62419	62496		
	S/T	0.54	0.63	0.72	0.82	0.57	0.67	0.76	0.87	0.61	0.71	0.81	0.92	0.64	0.75	0.86	0.98		
	PI	4.20	4.21	4.21	4.22	4.46	4.46	4.47	4.47	4.72	4.73	4.74	4.74	5.01	5.01	5.02	5.03		
68	TC	52123	52194	52252	52323	55256	55322	55387	55453	58558	58634	58710	58776	62088	62156	62233	62311		
	S/T	0.54	0.64	0.72	0.82	0.57	0.67	0.77	0.87	0.61	0.71	0.81	0.93	0.65	0.76	0.86	0.98		
	PI	4.26	4.26	4.27	4.27	4.51	4.52	4.52	4.53	4.78	4.79	4.79	4.80	5.07	5.08	5.08	5.09		
77	TC	51968	52038	52096	52167	55091	55157	55222	55288	58384	58459	58535	58601	61903	61970	62048	62125		
	S/T	0.56	0.65	0.74	0.85	0.59	0.69	0.79	0.90	0.63	0.73	0.83	0.95	0.66	0.78	0.88	1.01		
	PI	4.31	4.31	4.32	4.33	4.57	4.57	4.58	4.58	4.84	4.85	4.85	4.86	5.13	5.14	5.14	5.15		
86	TC	48898	48964	49019	49085	51837	51899	51960	52022	54935	55006	55078	55139	58247	58310	58383	58455		
	S/T	0.56	0.66	0.75	0.86	0.60	0.70	0.80	0.91	0.63	0.74	0.84	0.96	0.67	0.79	0.90	1.02		
	PI	4.60	4.61	4.61	4.62	4.88	4.89	4.89	4.90	5.17	5.18	5.18	5.19	5.48	5.49	5.50	5.50		
95	TC	48071	48135	48189	48254	50960	51020	51081	51141	54005	54075	54145	54206	57261	57323	57394	57466		
	S/T	0.58	0.68	0.77	0.88	0.61	0.72	0.82	0.93	0.65	0.76	0.87	0.99	0.69	0.81	0.92	1.05		
	PI	4.71	4.72	4.72	4.73	4.99	5.00	5.01	5.01	5.29	5.30	5.31	5.31	5.61	5.62	5.62	5.63		
104	TC	42629	42687	42734	42792	45191	45245	45299	45352	47892	47954	48016	48070	50779	50834	50897	50961		
	S/T	0.61	0.71	0.81	0.92	0.64	0.76	0.86	0.98	0.68	0.80	0.91	1.04	0.72	0.85	0.96	1.10		
	PI	9.15	9.16	9.17	9.18	9.70	9.71	9.72	9.73	10.28	10.29	10.30	10.31	10.90	10.91	10.92	10.94		
114.8	TC	36100	36148	36189	36238	38269	38315	38360	38406	40556	40609	40662	40707	43001	43048	43101	43155		
	S/T	0.61	0.72	0.82	0.93	0.65	0.76	0.87	0.99	0.69	0.81	0.92	1.05	0.73	0.86	0.98	1.11		
	PI	14.47	14.49	14.51	14.53	15.34	15.36	15.38	15.40	16.26	16.28	16.30	16.32	17.24	17.26	17.28	17.30		
122	TC	31747	31789	31825	31868	33655	33695	33734	33775	35666	35712	35759	35798	37816	37857	37904	37951		
	S/T	0.64	0.75	0.85	0.97	0.67	0.79	0.90	1.02	0.71	0.84	0.95	1.09	0.76	0.89	1.01	1.15		
	PI	18.02	18.04	18.06	18.09	19.10	19.13	19.15	19.17	20.25	20.27	20.30	20.32	21.47	21.49	21.52	21.54		

NOTE: Data highlighted in gray is extrapolated data and not actual test data. At 77°F outdoor conditions sweat protection activates causing a decrease in total capacity.

LEGEND

- TC - Total Net Capacity (Btu/hour)
- S/T: Sensible Cooling Capacity Ratio
- PI: Power Input (kW)
- Extrapolated Data

NON-DUCTED COOLING PERFORMANCE 48HH (Sheet 2 of 4)

AIRFLOW (CFM)	OUTDOOR DB (°F)	ID WB (°F)	NON-DUCTED COOLING PERFORMANCE 48HH (Sheet 2 of 4)															
			60.8				64.4				66.2				71.6			
			ID DB (°F)	73.4	77.0	80.6	84.2	73.4	77.0	80.6	84.2	73.4	77.0	80.0	84.20	73.4	77.0	80.6
1068	-22	TC	32777	32821	32858	32903	34747	34789	34830	34871	36824	36872	36920	36961	39044	39086	39135	39183
		S/T	0.32	0.38	0.43	0.49	0.34	0.40	0.45	0.52	0.36	0.42	0.48	0.55	0.38	0.45	0.51	0.58
		PI	1.65	1.65	1.65	1.65	1.74	1.75	1.75	1.75	1.85	1.85	1.85	1.86	1.96	1.96	1.97	1.97
	-10	TC	32369	32412	32449	32493	34314	34355	34396	34437	36365	36412	36460	36500	38557	38599	38647	38695
		S/T	0.32	0.38	0.43	0.49	0.34	0.40	0.46	0.52	0.36	0.43	0.48	0.55	0.38	0.45	0.51	0.58
		PI	1.77	1.77	1.77	1.77	1.87	1.87	1.88	1.88	1.98	1.98	1.99	1.99	2.10	2.11	2.11	2.11
	0	TC	32029	32072	32108	32151	33954	33994	34034	34074	35983	36029	36076	36116	38152	38193	38241	38288
		S/T	0.32	0.38	0.43	0.49	0.34	0.40	0.46	0.52	0.37	0.43	0.49	0.55	0.39	0.45	0.52	0.59
		PI	1.87	1.87	1.87	1.87	1.98	1.98	1.98	1.98	2.10	2.10	2.10	2.10	2.22	2.22	2.23	2.23
	5	TC	31858	31901	31937	31980	33773	33813	33853	33893	35791	35838	35884	35924	37949	37990	38038	38085
		S/T	0.33	0.38	0.43	0.50	0.35	0.41	0.46	0.53	0.37	0.43	0.49	0.56	0.39	0.46	0.52	0.59
		PI	1.92	1.92	1.92	1.92	2.03	2.03	2.04	2.04	2.15	2.15	2.16	2.16	2.28	2.28	2.29	2.29
	14	TC	31552	31594	31630	31673	33448	33488	33528	33568	35447	35493	35539	35579	37584	37625	37672	37719
		S/T	0.33	0.38	0.44	0.50	0.35	0.41	0.46	0.53	0.37	0.43	0.49	0.56	0.39	0.46	0.52	0.59
		PI	2.01	2.01	2.01	2.01	2.13	2.13	2.13	2.13	2.25	2.26	2.26	2.26	2.39	2.39	2.39	2.40
	17	TC	31450	31492	31528	31570	33340	33380	33419	33459	35332	35378	35424	35464	37462	37503	37550	37597
		S/T	0.33	0.39	0.44	0.50	0.35	0.41	0.46	0.53	0.37	0.43	0.49	0.56	0.39	0.46	0.52	0.59
		PI	2.04	2.04	2.04	2.04	2.16	2.16	2.16	2.17	2.29	2.29	2.29	2.29	2.42	2.43	2.43	2.43
	23	TC	31314	31356	31391	31433	33196	33235	33275	33314	35180	35225	35271	35310	37300	37341	37387	37434
		S/T	0.33	0.39	0.44	0.50	0.35	0.41	0.47	0.53	0.37	0.43	0.49	0.56	0.39	0.46	0.52	0.60
		PI	2.07	2.08	2.08	2.08	2.20	2.20	2.20	2.21	2.33	2.33	2.34	2.34	2.47	2.47	2.48	2.48
	32	TC	31110	31151	31186	31228	32979	33018	33058	33097	34950	34995	35041	35080	37057	37097	37143	37190
		S/T	0.33	0.39	0.44	0.50	0.35	0.41	0.47	0.53	0.37	0.44	0.50	0.56	0.39	0.46	0.53	0.60
		PI	2.13	2.14	2.14	2.14	2.26	2.27	2.27	2.27	2.40	2.40	2.40	2.41	2.54	2.55	2.55	2.55
41	TC	30837	30879	30913	30955	32691	32729	32768	32807	34644	34689	34734	34773	36733	36773	36818	36864	
	S/T	0.33	0.39	0.44	0.51	0.35	0.41	0.47	0.54	0.37	0.44	0.50	0.57	0.40	0.46	0.53	0.60	
	PI	2.21	2.22	2.22	2.22	2.35	2.35	2.35	2.36	2.49	2.49	2.49	2.50	2.64	2.64	2.64	2.65	
47	TC	30633	30674	30709	30750	32474	32513	32551	32590	34415	34459	34504	34543	36489	36529	36575	36620	
	S/T	0.33	0.39	0.44	0.51	0.35	0.41	0.47	0.54	0.37	0.44	0.50	0.57	0.40	0.47	0.53	0.60	
	PI	2.27	2.28	2.28	2.28	2.41	2.41	2.42	2.42	2.56	2.56	2.56	2.56	2.71	2.71	2.72	2.72	
50	TC	30623	30664	30699	30740	32464	32502	32541	32579	34404	34448	34493	34532	36478	36517	36563	36608	
	S/T	0.33	0.39	0.45	0.51	0.35	0.42	0.47	0.54	0.38	0.44	0.50	0.57	0.40	0.47	0.53	0.60	
	PI	2.29	2.29	2.29	2.29	2.42	2.43	2.43	2.43	2.57	2.57	2.57	2.58	2.72	2.73	2.73	2.73	
59	TC	30594	30635	30669	30711	32433	32471	32509	32548	34371	34415	34460	34498	36443	36482	36528	36573	
	S/T	0.34	0.39	0.45	0.51	0.36	0.42	0.47	0.54	0.38	0.44	0.50	0.57	0.40	0.47	0.53	0.61	
	PI	2.32	2.32	2.32	2.33	2.46	2.46	2.46	2.47	2.60	2.61	2.61	2.61	2.76	2.76	2.77	2.77	
68	TC	30564	30605	30640	30681	32401	32440	32478	32517	34338	34382	34427	34465	36408	36447	36492	36538	
	S/T	0.34	0.40	0.45	0.51	0.36	0.42	0.48	0.54	0.38	0.44	0.51	0.58	0.40	0.47	0.54	0.61	
	PI	2.35	2.35	2.36	2.36	2.49	2.49	2.50	2.50	2.64	2.64	2.65	2.65	2.80	2.80	2.81	2.81	
77	TC	30535	30576	30610	30651	32370	32408	32447	32485	34304	34349	34394	34432	36372	36412	36457	36503	
	S/T	0.35	0.41	0.46	0.53	0.37	0.43	0.49	0.56	0.39	0.46	0.52	0.59	0.41	0.48	0.55	0.63	
	PI	2.38	2.39	2.39	2.39	2.53	2.53	2.53	2.54	2.68	2.68	2.68	2.69	2.84	2.84	2.85	2.85	
86	TC	29329	29368	29401	29441	31092	31128	31165	31202	32950	32992	33035	33072	34936	34974	35017	35061	
	S/T	0.35	0.41	0.47	0.53	0.37	0.44	0.50	0.57	0.39	0.46	0.53	0.60	0.42	0.49	0.56	0.64	
	PI	2.71	2.72	2.72	2.72	2.88	2.88	2.88	2.89	3.05	3.05	3.05	3.06	3.23	3.23	3.24	3.24	
95	TC	29028	29067	29100	29139	30773	30809	30846	30882	32611	32654	32696	32733	34577	34615	34658	34701	
	S/T	0.36	0.42	0.48	0.55	0.38	0.45	0.51	0.58	0.40	0.47	0.54	0.61	0.43	0.50	0.57	0.65	
	PI	2.81	2.82	2.82	2.82	2.98	2.99	2.99	2.99	3.16	3.16	3.17	3.17	3.35	3.35	3.36	3.36	
104	TC	24926	24959	24987	25021	26424	26455	26486	26518	28003	28039	28076	28107	29991	29973	29970	29977	
	S/T	0.38	0.44	0.50	0.57	0.40	0.47	0.53	0.61	0.42	0.50	0.57	0.65	0.45	0.53	0.60	0.68	
	PI	5.91	5.91	5.92	5.93	6.26	6.27	6.27	6.28	6.63	6.64	6.65	6.66	7.03	7.04	7.05	7.06	
114.8	TC	20003	20030	20052	20079	21205	21230	21255	21281	22472	22501	22531	22556	23827	23853	23883	23912	
	S/T	0.38	0.45	0.51	0.58	0.41	0.48	0.54	0.62	0.43	0.50	0.57	0.65	0.46	0.53	0.61	0.69	
	PI	9.62	9.63	9.64	9.65	10.19	10.21	10.22	10.23	10.80	10.82	10.83	10.84	11.45	11.47	11.48	11.49	
122	TC	16721	16744	16762	16785	17726	17747	17768	17789	18785	18810	18834	18855	19918	19939	19964	19989	
	S/T	0.40	0.46	0.53	0.60	0.42	0.49	0.56	0.64	0.44	0.52	0.59	0.68	0.47	0.55	0.63	0.72	
	PI	12.09	12.11	12.12	12.14	12.82	12.83	12.85	12.86	13.58	13.60	13.62	13.63	14.40	14.42	14.43	14.45	

HEATING PERFORMANCE NON-DUCTED

“HEATING PERFORMANCE 18R (STANDARD)” on page 39 “HEATING PERFORMANCE 36HH (HIGHT HEAT)” on page 44
 “HEATING PERFORMANCE 24HH (HIGH HEAT)” on page 41 “HEATING PERFORMANCE 48R (STANDARD)” on page 45
 “HEATING PERFORMANCE 30HH (HIGH HEAT)” on page 42 “HEATING PERFORMANCE 48HH (HIGH HEAT)” on page 46
 “HEATING PERFORMANCE 36R (STANDARD)” on page 43

HEATING PERFORMANCE 18R (STANDARD)

NON-DUCTED HEATING PERFORMANCE 18R (Sheet 1 of 2)

AIRFLOW (CFM)	OUTDOOR DB (°F)	TC : Total Heating Capacity (BTU/hr)					PI : Power Input (kW)				
		Indoor Conditions (DB °F)					Indoor Conditions (DB °F)				
		60.8	68.0	70.0	71.6	75.2	60.8	68.0	70.00	71.6	75.2
328	-22.0	5143	5040	5015	4915	4871	2.35	2.37	2.38	2.38	2.39
	-10.0	6226	6101	6071	5949	5896	2.26	2.27	2.28	2.28	2.29
	0.0	7128	6985	6950	6811	6750	2.18	2.19	2.20	2.20	2.21
	5.0	7579	7427	7390	7242	7177	2.13	2.15	2.16	2.16	2.17
	14.0	8390	8223	8182	8018	7946	2.06	2.08	2.08	2.09	2.10
	17.0	8661	8488	8445	8276	8202	2.04	2.05	2.06	2.06	2.07
	22.0	8769	8594	8551	8380	8305	2.02	2.04	2.04	2.05	2.06
	27.0	8878	8700	8657	8483	8407	2.01	2.03	2.03	2.04	2.04
	32.0	8986	8806	8762	8587	8510	2.00	2.01	2.02	2.02	2.03
	37.0	9707	9513	9466	9276	9193	1.98	2.00	2.00	2.01	2.01
	42.0	11349	11122	11066	10845	10748	1.97	1.98	1.99	1.99	2.00
	44.6	12006	11766	11707	11473	11369	1.96	1.97	1.98	1.98	1.99
	47.0	12991	12731	12667	12414	12302	1.94	1.96	1.96	1.96	1.97
	52.0	14632	14340	14268	13983	13857	1.92	1.94	1.94	1.94	1.95
	57.0	16274	15948	15869	15551	15411	1.90	1.92	1.92	1.92	1.93
62.0	17916	17557	17469	17120	16966	1.88	1.90	1.90	1.90	1.91	
64.4	18572	18201	18110	17748	17588	1.87	1.89	1.89	1.89	1.90	
427	-22.0	6696	6562	6529	6398	6341	2.38	2.40	2.40	2.41	2.42
	-10.0	8105	7943	7903	7745	7675	2.28	2.30	2.30	2.31	2.32
	0.0	9279	9093	9048	8867	8787	2.20	2.21	2.22	2.22	2.23
	5.0	9866	9669	9620	9428	9343	2.16	2.17	2.18	2.18	2.19
	14.0	10923	10704	10651	10438	10344	2.08	2.10	2.10	2.11	2.12
	17.0	11275	11050	10994	10775	10678	2.06	2.07	2.08	2.08	2.09
	22.0	11416	11188	11132	10909	10811	2.04	2.06	2.07	2.07	2.08
	27.0	11557	11326	11269	11044	10945	2.03	2.05	2.05	2.06	2.06
	32.0	11698	11464	11407	11179	11078	2.02	2.03	2.04	2.04	2.05
	37.0	12637	12385	12323	12076	11968	2.00	2.02	2.02	2.03	2.03
	42.0	14775	14479	14407	14119	13991	1.99	2.00	2.01	2.01	2.02
	44.6	15629	15317	15240	14935	14801	1.98	1.99	2.00	2.00	2.01
	47.0	16912	16573	16491	16161	16015	1.96	1.98	1.98	1.98	1.99
	52.0	19049	18668	18574	18203	18039	1.94	1.96	1.96	1.96	1.97
	57.0	21186	20762	20658	20245	20063	1.92	1.93	1.94	1.94	1.95
62.0	23323	22856	22742	22287	22087	1.90	1.91	1.92	1.92	1.93	
64.4	24178	23694	23576	23104	22896	1.89	1.91	1.91	1.91	1.92	
640	-22.0	9743	9548	9501	9311	9227	2.40	2.42	2.43	2.43	2.44
	-10.0	11794	11558	11500	11270	11169	2.30	2.32	2.33	2.33	2.34
	0.0	13503	13233	13166	12903	12787	2.22	2.24	2.24	2.25	2.26
	5.0	14357	14070	13999	13719	13596	2.18	2.20	2.20	2.20	2.21
	14.0	15895	15577	15499	15189	15052	2.10	2.12	2.13	2.13	2.14
	17.0	16407	16079	15999	15679	15538	2.08	2.10	2.10	2.10	2.11
	22.0	16613	16280	16199	15875	15732	2.07	2.08	2.09	2.09	2.10
	27.0	16818	16481	16399	16071	15926	2.05	2.07	2.07	2.08	2.08
	32.0	17023	16682	16599	16267	16120	2.04	2.05	2.06	2.06	2.07
	37.0	18390	18022	17932	17573	17415	2.02	2.04	2.04	2.05	2.05
	42.0	21500	21070	20964	20545	20360	2.01	2.02	2.03	2.03	2.04
	44.6	22743	22289	22177	21734	21538	2.00	2.01	2.02	2.02	2.03
	47.0	24609	24117	23997	23517	23305	1.98	2.00	2.00	2.00	2.01
	52.0	27719	27165	27029	26488	26250	1.96	1.98	1.98	1.98	1.99
	57.0	30829	30212	30061	29460	29195	1.94	1.95	1.96	1.96	1.97
62.0	33939	33260	33094	32432	32140	1.92	1.93	1.94	1.94	1.95	
64.4	35183	34479	34307	33621	33318	1.91	1.93	1.93	1.93	1.94	

NON-DUCTED HEATING PERFORMANCE 18R (Sheet 2 of 2)

AIRFLOW (CFM)	OUTDOOR DB (°F)	TC : Total Heating Capacity (BTU/hr)					PI : Power Input (kW)				
		Indoor Conditions (DB °F)					Indoor Conditions (DB °F)				
		60.8	68.0	70.0	71.6	75.2	60.8	68.0	70.00	71.6	75.2
700	-22.0	10346	10139	10089	9887	9798	2.42	2.44	2.45	2.45	2.46
	-10.0	12524	12273	12212	11968	11860	2.32	2.34	2.35	2.35	2.36
	0.0	14338	14052	13981	13702	13578	2.24	2.26	2.26	2.27	2.28
	5.0	15246	14941	14866	14569	14437	2.20	2.22	2.22	2.23	2.24
	14.0	16879	16541	16458	16129	15984	2.12	2.14	2.15	2.15	2.16
	17.0	17423	17074	16989	16649	16499	2.10	2.12	2.12	2.13	2.13
	22.0	17641	17288	17201	16857	16706	2.09	2.10	2.11	2.11	2.12
	27.0	17858	17501	17414	17066	16912	2.07	2.09	2.09	2.10	2.11
	32.0	18076	17715	17626	17274	17118	2.06	2.07	2.08	2.08	2.09
	37.0	19528	19137	19042	18661	18493	2.04	2.06	2.06	2.07	2.07
	42.0	22830	22374	22262	21816	21620	2.03	2.04	2.05	2.05	2.06
	44.6	24151	23668	23550	23079	22871	2.02	2.03	2.04	2.04	2.05
	47.0	26133	25610	25482	24972	24747	2.00	2.02	2.02	2.02	2.03
	52.0	29435	28846	28702	28128	27875	1.98	1.99	2.00	2.00	2.01
	57.0	32737	32082	31922	31284	31002	1.96	1.97	1.98	1.98	1.99
62.0	36040	35319	35142	34439	34129	1.94	1.95	1.96	1.96	1.97	
64.4	37360	36613	36430	35702	35380	1.93	1.94	1.95	1.95	1.96	

NOTE: Data highlighted in gray is extrapolated data and not actual test data.

HEATING PERFORMANCE NON-DUCTED

HEATING PERFORMANCE 24HH (HIGH HEAT)

NON-DUCTED HEATING PERFORMANCE 24HH

AIRFLOW (CFM)	OUTDOOR DB (°F)	TC : Total Heating Capacity (BTU/hr)					PI : Power Input (kW)				
		Indoor Conditions (DB °F)					Indoor Conditions (DB °F)				
		60.8	68.0	70.0	71.6	75.2	60.8	68.0	70.00	71.6	75.2
492	-22.0	7659	7506	7468	7319	7253	3.65	3.68	3.69	3.70	3.71
	-10.0	9067	8885	8841	8664	8586	3.41	3.44	3.44	3.45	3.46
	0.0	10239	10035	9984	9785	9697	3.21	3.23	3.24	3.24	3.26
	5.0	10826	10609	10556	10345	10252	3.10	3.13	3.14	3.14	3.16
	14.0	11881	11644	11586	11354	11252	2.92	2.95	2.95	2.96	2.97
	17.0	12233	11989	11929	11690	11585	2.86	2.89	2.89	2.90	2.91
	22.0	12529	12279	12217	11973	11865	2.85	2.88	2.88	2.89	2.90
	27.0	12825	12569	12506	12256	12146	2.85	2.87	2.87	2.88	2.89
	32.0	13122	12859	12795	12539	12426	2.84	2.86	2.87	2.87	2.88
	37.0	14150	13867	13798	13522	13400	2.83	2.85	2.86	2.86	2.88
	42.0	16277	15952	15872	15555	15415	2.82	2.85	2.85	2.86	2.87
	44.6	17128	16786	16702	16368	16220	2.82	2.84	2.85	2.86	2.87
	47.0	18405	18036	17946	17587	17429	2.81	2.84	2.84	2.85	2.86
	52.0	20532	20121	20021	19620	19444	2.81	2.83	2.83	2.84	2.85
	57.0	22659	22206	22095	21653	21458	2.80	2.82	2.83	2.83	2.84
62.0	24786	24291	24169	23686	23473	2.79	2.81	2.82	2.82	2.83	
64.4	25637	25124	24999	24499	24278	2.79	2.81	2.81	2.82	2.83	
640	-22.0	9963	9764	9715	9521	9435	3.69	3.72	3.72	3.73	3.75
	-10.0	11794	11558	11500	11270	11169	3.44	3.47	3.48	3.48	3.50
	0.0	13320	13053	12988	12728	12614	3.24	3.26	3.27	3.28	3.29
	5.0	14082	13801	13732	13457	13336	3.14	3.16	3.17	3.17	3.19
	14.0	15456	15146	15071	14769	14636	2.95	2.98	2.98	2.99	3.00
	17.0	15913	15595	15517	15207	15070	2.89	2.91	2.92	2.93	2.94
	22.0	16298	15972	15893	15575	15435	2.88	2.91	2.91	2.92	2.93
	27.0	16684	16350	16268	15943	15799	2.87	2.90	2.90	2.91	2.92
	32.0	17069	16727	16644	16311	16164	2.87	2.89	2.90	2.90	2.91
	37.0	18407	18038	17948	17589	17431	2.86	2.88	2.89	2.89	2.90
	42.0	21174	20750	20646	20234	20051	2.85	2.88	2.88	2.89	2.90
	44.6	22281	21835	21726	21291	21100	2.85	2.87	2.88	2.88	2.90
	47.0	23941	23462	23345	22878	22672	2.84	2.87	2.87	2.88	2.89
	52.0	26708	26174	26043	25522	25292	2.83	2.86	2.86	2.87	2.88
	57.0	29475	28886	28741	28166	27913	2.83	2.85	2.85	2.86	2.87
62.0	32242	31597	31439	30811	30533	2.82	2.84	2.85	2.85	2.86	
64.4	33349	32682	32519	31868	31582	2.81	2.84	2.84	2.85	2.86	
960	-22.0	14509	14219	14148	13865	13740	3.72	3.75	3.76	3.77	3.79
	-10.0	17175	16832	16748	16413	16265	3.48	3.51	3.51	3.52	3.53
	0.0	19397	19009	18914	18536	18369	3.27	3.30	3.30	3.31	3.32
	5.0	20508	20098	19998	19598	19421	3.17	3.19	3.20	3.21	3.22
	14.0	22508	22058	21948	21509	21315	2.98	3.01	3.01	3.02	3.03
	17.0	23175	22711	22598	22146	21946	2.92	2.94	2.95	2.96	2.97
	22.0	23736	23261	23145	22682	22478	2.91	2.94	2.94	2.95	2.96
	27.0	24296	23810	23691	23218	23009	2.90	2.93	2.93	2.94	2.95
	32.0	24857	24360	24238	23754	23540	2.90	2.92	2.93	2.93	2.94
	37.0	26806	26270	26138	25615	25385	2.89	2.91	2.92	2.92	2.93
	42.0	30835	30219	30068	29466	29201	2.88	2.90	2.91	2.92	2.93
	44.6	32447	31798	31639	31007	30728	2.88	2.90	2.91	2.91	2.93
	47.0	34865	34168	33997	33317	33017	2.87	2.89	2.90	2.91	2.92
	52.0	38895	38117	37927	37168	36834	2.86	2.89	2.89	2.90	2.91
	57.0	42925	42066	41856	41019	40650	2.85	2.88	2.88	2.89	2.90
62.0	46955	46016	45786	44870	44466	2.85	2.87	2.88	2.88	2.89	
64.4	48567	47595	47357	46410	45993	2.84	2.87	2.87	2.88	2.89	
1050	-22.0	15407	15099	15024	14723	14591	3.76	3.79	3.80	3.81	3.82
	-10.0	18239	17874	17784	17429	17272	3.51	3.54	3.55	3.55	3.57
	0.0	20598	20186	20085	19683	19506	3.30	3.33	3.34	3.34	3.36
	5.0	21778	21342	21235	20811	20623	3.20	3.23	3.23	3.24	3.25
	14.0	23901	23423	23306	22840	22634	3.01	3.04	3.04	3.05	3.06
	17.0	24609	24117	23996	23516	23305	2.95	2.97	2.98	2.99	3.00
	22.0	25205	24701	24577	24085	23869	2.94	2.97	2.97	2.98	2.99
	27.0	25800	25284	25158	24655	24433	2.93	2.96	2.96	2.97	2.98
	32.0	26396	25868	25738	25224	24997	2.92	2.95	2.95	2.96	2.97
	37.0	28465	27895	27756	27201	26956	2.92	2.94	2.95	2.95	2.96
	42.0	32744	32089	31929	31290	31008	2.91	2.93	2.94	2.95	2.96
	44.6	34456	33767	33598	32926	32629	2.91	2.93	2.94	2.94	2.95
	47.0	37023	36283	36101	35379	35061	2.90	2.92	2.93	2.93	2.95
	52.0	41302	40476	40274	39469	39113	2.89	2.91	2.92	2.93	2.94
	57.0	45582	44670	44447	43558	43166	2.88	2.91	2.91	2.92	2.93
62.0	49861	48864	48619	47647	47218	2.87	2.90	2.90	2.91	2.92	
64.4	51573	50541	50289	49283	48839	2.87	2.89	2.90	2.91	2.92	

NOTE: Data highlighted in gray is extrapolated data and not actual test data.

HEATING PERFORMANCE NON-DUCTED

HEATING PERFORMANCE 30HH (HIGH HEAT)

NON-DUCTED HEATING PERFORMANCE 30HH

AIRFLOW (CFM)	OUTDOOR DB (°F)	TC : Total Heating Capacity (BTU/hr)					PI : Power Input (kW)				
		Indoor Conditions (DB °F)					Indoor Conditions (DB °F)				
		60.8	68.0	70.0	71.6	75.2	60.8	68.0	70.00	71.6	75.2
656	-22.0	7038	6897	6862	6725	6665	3.53	3.56	3.57	3.57	3.59
	-10.0	9063	8882	8837	8661	8583	3.50	3.53	3.53	3.54	3.55
	0.0	10751	10536	10483	10273	10181	3.47	3.50	3.50	3.51	3.53
	5.0	11595	11363	11306	11080	10980	3.46	3.48	3.49	3.50	3.51
	14.0	13114	12851	12787	12531	12419	3.43	3.46	3.47	3.47	3.49
	17.0	13620	13348	13281	13015	12898	3.42	3.45	3.46	3.46	3.48
	22.0	14198	13914	13844	13568	13445	3.42	3.44	3.45	3.46	3.47
	27.0	14776	14480	14408	14120	13993	3.41	3.44	3.44	3.45	3.46
	32.0	15354	15047	14971	14672	14540	3.40	3.43	3.44	3.44	3.46
	37.0	16458	16129	16048	15727	15586	3.40	3.42	3.43	3.44	3.45
	42.0	18352	17985	17895	17537	17379	3.39	3.42	3.42	3.43	3.44
	44.6	19109	18727	18633	18261	18096	3.39	3.42	3.42	3.43	3.44
	47.0	20246	19841	19742	19347	19173	3.38	3.41	3.42	3.42	3.44
	52.0	22139	21697	21588	21156	20966	3.37	3.40	3.41	3.42	3.43
	57.0	24033	23553	23435	22966	22760	3.37	3.39	3.40	3.41	3.42
62.0	25927	25409	25282	24776	24553	3.36	3.39	3.39	3.40	3.42	
64.4	26685	26151	26020	25500	25270	3.36	3.39	3.39	3.40	3.41	
854	-22.0	9162	8979	8934	8755	8676	3.57	3.59	3.60	3.61	3.62
	-10.0	11799	11563	11505	11275	11173	3.53	3.56	3.57	3.58	3.59
	0.0	13996	13716	13647	13374	13254	3.50	3.53	3.54	3.55	3.56
	5.0	15094	14792	14719	14424	14294	3.49	3.52	3.53	3.53	3.55
	14.0	17072	16730	16647	16314	16167	3.47	3.49	3.50	3.51	3.52
	17.0	17731	17376	17290	16944	16791	3.46	3.49	3.49	3.50	3.51
	22.0	18483	18114	18023	17663	17504	3.45	3.48	3.49	3.49	3.51
	27.0	19236	18851	18757	18381	18216	3.44	3.47	3.48	3.49	3.50
	32.0	19988	19588	19490	19100	18928	3.44	3.46	3.47	3.48	3.49
	37.0	21425	20997	20892	20474	20290	3.43	3.46	3.46	3.47	3.49
	42.0	23891	23413	23296	22830	22625	3.42	3.45	3.46	3.47	3.48
	44.6	24877	24380	24258	23772	23559	3.42	3.45	3.46	3.46	3.48
	47.0	26356	25829	25700	25186	24959	3.42	3.44	3.45	3.46	3.47
	52.0	28822	28245	28104	27542	27294	3.41	3.44	3.44	3.45	3.46
	57.0	31287	30662	30508	29898	29629	3.40	3.43	3.44	3.44	3.46
62.0	33753	33078	32912	32254	31964	3.39	3.42	3.43	3.44	3.45	
64.4	34739	34044	33874	33196	32898	3.39	3.42	3.43	3.43	3.45	
1280	-22.0	13332	13065	13000	12740	12625	3.60	3.63	3.64	3.65	3.66
	-10.0	17169	16826	16741	16407	16259	3.57	3.60	3.60	3.61	3.63
	0.0	20366	19959	19859	19462	19287	3.54	3.57	3.58	3.58	3.60
	5.0	21965	21526	21418	20990	20801	3.53	3.55	3.56	3.57	3.58
	14.0	24842	24346	24224	23739	23526	3.50	3.53	3.54	3.54	3.56
	17.0	25802	25286	25159	24656	24434	3.49	3.52	3.53	3.53	3.55
	22.0	26896	26358	26227	25702	25471	3.49	3.51	3.52	3.53	3.54
	27.0	27991	27431	27294	26748	26507	3.48	3.51	3.51	3.52	3.53
	32.0	29086	28504	28362	27794	27544	3.47	3.50	3.51	3.51	3.53
	37.0	31178	30554	30401	29793	29525	3.46	3.49	3.50	3.51	3.52
	42.0	34765	34070	33900	33222	32923	3.46	3.49	3.49	3.50	3.51
	44.6	36200	35476	35299	34593	34282	3.46	3.48	3.49	3.50	3.51
	47.0	38353	37586	37398	36650	36320	3.45	3.48	3.49	3.49	3.51
	52.0	41941	41102	40896	40079	39718	3.44	3.47	3.48	3.48	3.50
	57.0	45528	44618	44395	43507	43115	3.44	3.46	3.47	3.48	3.49
62.0	49116	48134	47893	46935	46513	3.43	3.45	3.46	3.47	3.48	
64.4	50551	49540	49293	48307	47872	3.43	3.45	3.46	3.47	3.48	
1400	-22.0	14157	13874	13805	13529	13407	3.64	3.67	3.67	3.68	3.70
	-10.0	18232	17867	17778	17422	17265	3.60	3.63	3.64	3.65	3.66
	0.0	21627	21194	21088	20666	20481	3.58	3.60	3.61	3.62	3.63
	5.0	23324	22858	22744	22289	22088	3.56	3.59	3.60	3.60	3.62
	14.0	26380	25852	25723	25209	24982	3.54	3.56	3.57	3.58	3.59
	17.0	27399	26851	26716	26182	25946	3.53	3.56	3.56	3.57	3.58
	22.0	28561	27990	27850	27293	27047	3.52	3.55	3.56	3.56	3.58
	27.0	29724	29129	28983	28404	28148	3.51	3.54	3.55	3.56	3.57
	32.0	30886	30268	30117	29515	29249	3.51	3.53	3.54	3.55	3.56
	37.0	33107	32445	32283	31637	31353	3.50	3.53	3.53	3.54	3.56
	42.0	36917	36179	35998	35278	34960	3.49	3.52	3.53	3.54	3.55
	44.6	38441	37672	37484	36734	36404	3.49	3.52	3.53	3.53	3.55
	47.0	40727	39912	39713	38919	38568	3.48	3.51	3.52	3.53	3.54
	52.0	44537	43646	43428	42559	42176	3.48	3.51	3.51	3.52	3.53
	57.0	48346	47379	47143	46200	45784	3.47	3.50	3.51	3.51	3.53
62.0	52156	51113	50857	49840	49392	3.46	3.49	3.50	3.51	3.52	
64.4	53680	52606	52343	51297	50835	3.46	3.49	3.50	3.50	3.52	

NOTE: Data highlighted in gray is extrapolated data and not actual test data.

Manufacturer reserves the right to change, at any time, specifications and designs without notice and without obligations.

HEATING PERFORMANCE NON-DUCTED HEATING PERFORMANCE 36R (STANDARD)

NON-DUCTED HEATING PERFORMANCE 36R

AIRFLOW (CFM)	OUTDOOR DB (°F)	TC : Total Heating Capacity (BTU/hr)					PI : Power Input (kW)				
		Indoor Conditions (DB °F)					Indoor Conditions (DB °F)				
		60.8	68.0	70.0	71.6	75.2	60.8	68.0	70.0	71.6	75.2
656	-22.0	8280	8114	8073	7912	7841	4.15	4.19	4.19	4.20	4.22
	-10.0	10662	10449	10397	10189	10097	4.11	4.15	4.16	4.16	4.18
	0.0	12648	12395	12333	12086	11978	4.08	4.11	4.12	4.13	4.15
	5.0	13641	13368	13301	13035	12918	4.07	4.10	4.11	4.11	4.13
	14.0	15428	15119	15044	14743	14610	4.04	4.07	4.08	4.09	4.10
	17.0	16024	15703	15625	15312	15174	4.03	4.06	4.07	4.08	4.09
	22.0	16703	16369	16288	15962	15818	4.02	4.05	4.06	4.07	4.08
	27.0	17383	17036	16950	16611	16462	4.01	4.04	4.05	4.06	4.08
	32.0	18063	17702	17613	17261	17106	4.00	4.03	4.04	4.05	4.07
	37.0	19362	18975	18880	18503	18336	3.99	4.03	4.03	4.04	4.06
	42.0	21590	21159	21053	20632	20446	3.99	4.02	4.03	4.04	4.05
	44.6	22482	22032	21922	21483	21290	3.99	4.02	4.03	4.03	4.05
	47.0	23818	23342	23225	22761	22556	3.98	4.01	4.02	4.03	4.04
	52.0	26046	25526	25398	24890	24666	3.97	4.00	4.01	4.02	4.03
	57.0	28275	27709	27570	27019	26776	3.96	3.99	4.00	4.01	4.03
62.0	30503	29893	29743	29148	28886	3.95	3.99	3.99	4.00	4.02	
64.4	31394	30766	30612	30000	29730	3.95	3.98	3.98	4.00	4.01	
854	-22.0	10779	10563	10510	10300	10207	4.19	4.23	4.24	4.25	4.26
	-10.0	13881	13603	13535	13264	13145	4.16	4.19	4.20	4.21	4.22
	0.0	16466	16136	16056	15734	15593	4.12	4.16	4.16	4.17	4.19
	5.0	17758	17403	17316	16970	16817	4.11	4.14	4.15	4.16	4.17
	14.0	20085	19683	19584	19193	19020	4.12	4.11	4.12	4.13	4.14
	17.0	20860	20443	20341	19934	19754	4.07	4.10	4.11	4.12	4.13
	22.0	21745	21310	21204	20780	20593	4.06	4.09	4.10	4.11	4.12
	27.0	22630	22177	22067	21625	21431	4.05	4.08	4.09	4.10	4.12
	32.0	23515	23045	22930	22471	22269	4.04	4.08	4.08	4.09	4.11
	37.0	25206	24702	24579	24087	23870	4.03	4.07	4.08	4.08	4.10
	42.0	28107	27545	27407	26859	26617	4.03	4.06	4.07	4.08	4.09
	44.6	29267	28682	28538	27968	27716	4.03	4.06	4.07	4.07	4.09
	47.0	31007	30387	30235	29631	29364	4.02	4.05	4.06	4.07	4.08
	52.0	33908	33230	33064	32402	32111	4.01	4.04	4.05	4.06	4.08
	57.0	36809	36072	35892	35174	34858	4.00	4.03	4.04	4.05	4.07
62.0	39709	38915	38720	37946	37604	3.99	4.03	4.03	4.04	4.06	
64.4	40869	40052	39852	39055	38703	3.99	4.02	4.03	4.04	4.06	
1280	-22.0	15685	15371	15294	14988	14854	4.24	4.27	4.28	4.29	4.31
	-10.0	20199	19795	19696	19302	19128	4.20	4.23	4.24	4.25	4.27
	0.0	23960	23481	23364	22896	22690	4.16	4.20	4.21	4.22	4.23
	5.0	25841	25324	25198	24694	24471	4.15	4.18	4.19	4.20	4.22
	14.0	29226	28642	28499	27929	27677	4.12	4.15	4.16	4.17	4.19
	17.0	30355	29748	29599	29007	28746	4.11	4.14	4.15	4.16	4.18
	22.0	31643	31010	30855	30238	29966	4.10	4.13	4.14	4.15	4.17
	27.0	32931	32272	32111	31468	31185	4.09	4.13	4.13	4.14	4.16
	32.0	34219	33534	33367	32699	32405	4.08	4.12	4.13	4.13	4.15
	37.0	36680	35946	35766	35051	34736	4.08	4.11	4.12	4.12	4.14
	42.0	40900	40082	39882	39084	38733	4.07	4.10	4.11	4.12	4.14
	44.6	42589	41737	41528	40698	40331	4.07	4.10	4.11	4.12	4.13
	47.0	45121	44219	43998	43118	42730	4.06	4.09	4.10	4.11	4.12
	52.0	49342	48355	48113	47151	46727	4.05	4.08	4.09	4.10	4.12
	57.0	53563	52492	52229	51185	50724	4.04	4.08	4.08	4.09	4.11
62.0	57784	56628	56345	55218	54721	4.03	4.07	4.08	4.08	4.10	
64.4	59472	58283	57991	56831	56320	4.03	4.06	4.07	4.08	4.10	
1400	-22.0	16656	16323	16241	15916	15773	4.28	4.31	4.32	4.33	4.35
	-10.0	21449	21020	20915	20497	20312	4.24	4.27	4.28	4.29	4.31
	0.0	25443	24934	24810	24314	24095	4.21	4.24	4.25	4.26	4.27
	5.0	27440	26892	26757	26222	25986	4.19	4.22	4.23	4.24	4.26
	14.0	31035	30415	30263	29657	29390	4.16	4.19	4.20	4.21	4.23
	17.0	32234	31589	31431	30802	30525	4.15	4.18	4.19	4.20	4.22
	22.0	33601	32929	32765	32109	31820	4.14	4.17	4.18	4.19	4.21
	27.0	34969	34269	34098	33416	33115	4.13	4.17	4.17	4.18	4.20
	32.0	36336	35610	35432	34723	34411	4.12	4.16	4.17	4.17	4.19
	37.0	38950	38171	37980	37220	36885	4.12	4.15	4.16	4.17	4.18
	42.0	43432	42563	42350	41503	41130	4.11	4.14	4.15	4.16	4.18
	44.6	45225	44320	44099	43217	42828	4.11	4.14	4.15	4.16	4.17
	47.0	47914	46956	46721	45786	45374	4.10	4.13	4.14	4.15	4.17
	52.0	52396	51348	51091	50070	49619	4.09	4.12	4.13	4.14	4.16
	57.0	56878	55741	55462	54353	53863	4.08	4.12	4.12	4.13	4.15
62.0	61360	60133	59832	58636	58108	4.07	4.11	4.12	4.12	4.14	
64.4	63153	61890	61580	60349	59806	4.07	4.10	4.11	4.12	4.14	

NOTE: Data highlighted in gray is extrapolated data and not actual test data.

HEATING PERFORMANCE NON-DUCTED

HEATING PERFORMANCE 36HH (HIGHT HEAT)

NON-DUCTED HEATING PERFORMANCE 36HH

AIRFLOW (CFM)	OUTDOOR DB (°F)	TC : Total Heating Capacity (BTU/hr)					PI : Power Input (kW)				
		Indoor Conditions (DB °F)					Indoor Conditions (DB °F)				
		60.8	68.0	70.0	71.6	75.2	60.8	68.0	70.00	71.6	75.2
656	-22.0	18448	18079	17989	17629	17470	5.93	5.98	5.99	6.00	6.03
	-10.0	18910	18532	18439	18070	17907	5.69	5.73	5.75	5.76	5.78
	0.0	19295	18909	18814	18438	18272	5.49	5.53	5.54	5.55	5.58
	5.0	19487	19097	19002	18622	18454	5.39	5.43	5.44	5.45	5.47
	14.0	19833	19437	19339	18953	18782	5.20	5.25	5.26	5.27	5.29
	17.0	19949	19550	19452	19063	18891	5.14	5.18	5.19	5.20	5.23
	22.0	20051	19650	19552	19161	18989	5.06	5.10	5.11	5.12	5.14
	27.0	20154	19751	19652	19259	19086	4.98	5.02	5.03	5.04	5.06
	32.0	20257	19851	19752	19357	19183	4.90	4.94	4.95	4.96	4.98
	37.0	20902	20483	20381	19973	19794	4.77	4.81	4.82	4.83	4.85
	42.0	22360	21913	21803	21367	21175	4.62	4.65	4.66	4.67	4.69
	44.6	22943	22484	22372	21925	21727	4.55	4.59	4.59	4.60	4.62
	47.0	23818	23342	23225	22761	22556	4.37	4.40	4.41	4.42	4.44
	52.0	25277	24771	24647	24154	23937	4.16	4.20	4.21	4.21	4.23
	57.0	26735	26201	26070	25548	25318	3.96	3.99	4.00	4.01	4.03
62.0	28194	27630	27492	26942	26699	3.76	3.79	3.80	3.81	3.82	
64.4	28777	28202	28061	27499	27252	3.68	3.71	3.72	3.72	3.74	
854	-22.0	24016	23536	23418	22950	22743	5.99	6.04	6.05	6.06	6.09
	-10.0	24617	24125	24004	23524	23312	5.75	5.79	5.80	5.82	5.84
	0.0	25118	24616	24493	24003	23787	5.54	5.59	5.60	5.61	5.63
	5.0	25369	24861	24737	24242	24024	5.44	5.48	5.49	5.51	5.53
	14.0	25820	25303	25177	24673	24451	5.26	5.30	5.31	5.32	5.34
	17.0	25970	25450	25323	24817	24593	5.19	5.24	5.25	5.26	5.28
	22.0	26103	25581	25453	24944	24720	5.11	5.15	5.16	5.17	5.20
	27.0	26237	25712	25584	25072	24846	5.03	5.07	5.08	5.09	5.11
	32.0	26371	25843	25714	25200	24973	4.95	4.99	5.00	5.01	5.03
	37.0	27210	26666	26533	26002	25768	4.82	4.86	4.87	4.88	4.90
	42.0	29109	28527	28384	27816	27566	4.66	4.70	4.71	4.72	4.74
	44.6	29868	29271	29125	28542	28285	4.59	4.63	4.64	4.65	4.67
	47.0	31007	30387	30235	29631	29364	4.41	4.45	4.46	4.46	4.48
	52.0	32906	32248	32087	31445	31162	4.21	4.24	4.25	4.26	4.27
	57.0	34805	34109	33938	33259	32960	4.00	4.03	4.04	4.05	4.07
62.0	36703	35969	35789	35074	34758	3.80	3.83	3.84	3.84	3.86	
64.4	37463	36714	36530	35799	35477	3.72	3.75	3.75	3.76	3.78	
1280	-22.0	34948	34249	34077	33396	33095	6.05	6.10	6.11	6.12	6.15
	-10.0	35822	35106	34930	34232	33924	5.80	5.85	5.86	5.87	5.90
	0.0	36551	35820	35641	34928	34614	5.60	5.64	5.65	5.67	5.69
	5.0	36916	36177	35997	35277	34959	5.49	5.54	5.55	5.56	5.58
	14.0	37572	36820	36636	35904	35580	5.31	5.35	5.36	5.37	5.39
	17.0	37791	37035	36850	36113	35788	5.25	5.29	5.30	5.31	5.33
	22.0	37985	37225	37039	36298	35972	5.16	5.21	5.22	5.23	5.25
	27.0	38179	37416	37229	36484	36156	5.08	5.12	5.13	5.14	5.16
	32.0	38374	37606	37418	36670	36340	5.00	5.04	5.05	5.06	5.08
	37.0	39596	38804	38610	37837	37497	4.87	4.91	4.92	4.93	4.95
	42.0	42358	41511	41304	40478	40113	4.71	4.75	4.76	4.77	4.79
	44.6	43464	42594	42381	41534	41160	4.64	4.68	4.69	4.70	4.72
	47.0	45121	44219	43998	43118	42730	4.46	4.49	4.50	4.51	4.53
	52.0	47884	46926	46692	45758	45346	4.25	4.28	4.29	4.30	4.32
	57.0	50647	49634	49386	48398	47963	4.04	4.08	4.08	4.09	4.11
62.0	53410	52342	52080	51038	50579	3.84	3.87	3.88	3.88	3.90	
64.4	54515	53425	53158	52094	51626	3.75	3.78	3.79	3.80	3.81	
1400	-22.0	37111	36368	36187	35463	35144	6.11	6.16	6.17	6.19	6.21
	-10.0	38039	37279	37092	36350	36023	5.86	5.91	5.92	5.93	5.96
	0.0	38814	38037	37847	37090	36756	5.65	5.70	5.71	5.72	5.75
	5.0	39201	38417	38225	37460	37123	5.55	5.59	5.61	5.62	5.64
	14.0	39897	39099	38904	38126	37783	5.36	5.41	5.42	5.43	5.45
	17.0	40130	39327	39130	38348	38003	5.30	5.34	5.35	5.36	5.39
	22.0	40336	39529	39332	38545	38198	5.22	5.26	5.27	5.28	5.30
	27.0	40542	39732	39533	38742	38394	5.13	5.17	5.18	5.20	5.22
	32.0	40749	39934	39734	38940	38589	5.05	5.09	5.10	5.11	5.13
	37.0	42046	41205	40999	40179	39818	4.92	4.96	4.97	4.98	5.00
	42.0	44980	44081	43860	42983	42596	4.76	4.79	4.80	4.81	4.83
	44.6	46154	45231	45004	44104	43707	4.69	4.72	4.73	4.74	4.76
	47.0	47914	46956	46721	45786	45374	4.50	4.54	4.55	4.55	4.57
	52.0	50848	49831	49582	48590	48153	4.29	4.33	4.33	4.34	4.36
	57.0	53782	52706	52443	51394	50931	4.08	4.12	4.12	4.13	4.15
62.0	56716	55581	55303	54197	53709	3.87	3.91	3.91	3.92	3.94	
64.4	57889	56731	56448	55319	54821	3.79	3.82	3.83	3.84	3.85	

NOTE: Data highlighted in gray is extrapolated data and not actual test data.

Manufacturer reserves the right to change, at any time, specifications and designs without notice and without obligations.

HEATING PERFORMANCE NON-DUCTED

HEATING PERFORMANCE 48R (STANDARD)

NON-DUCTED HEATING PERFORMANCE 48R

AIRFLOW (CFM)	OUTDOOR DB (°F)	TC : Total Heating Capacity (BTU/hr)					PI : Power Input (kW)				
		Indoor Conditions (DB °F)					Indoor Conditions (DB °F)				
		60.8	68.0	70.0	71.6	75.2	60.8	68.0	70.00	71.6	75.2
820	-22.0	12988	12729	12665	12412	12300	6.02	6.07	6.08	6.09	6.12
	-10.0	15155	14852	14778	14482	14352	5.66	5.71	5.72	5.73	5.75
	0.0	16961	16621	16538	16207	16062	5.36	5.40	5.41	5.43	5.45
	5.0	17863	17506	17419	17070	16917	5.21	5.25	5.26	5.27	5.29
	14.0	19488	19099	19003	18623	18455	4.94	4.98	4.99	5.00	5.02
	17.0	20030	19629	19531	19141	18968	4.85	4.89	4.90	4.91	4.93
	22.0	20367	19959	19859	19462	19287	4.82	4.86	4.87	4.88	4.90
	27.0	20703	20289	20188	19784	19606	4.80	4.84	4.85	4.86	4.88
	32.0	21040	20619	20516	20106	19925	4.77	4.81	4.82	4.83	4.85
	37.0	22393	21945	21835	21399	21206	4.74	4.78	4.79	4.80	4.82
	42.0	25271	24766	24642	24149	23932	4.71	4.75	4.75	4.76	4.78
	44.6	26423	25894	25765	25250	25022	4.69	4.73	4.74	4.75	4.77
	47.0	28150	27587	27449	26900	26658	4.66	4.70	4.70	4.71	4.73
	52.0	31028	30408	30256	29651	29384	4.62	4.65	4.66	4.67	4.69
	57.0	33907	33229	33062	32401	32110	4.58	4.61	4.62	4.63	4.65
	62.0	36785	36049	35869	35152	34835	4.54	4.57	4.58	4.59	4.61
64.4	37936	37178	36992	36252	35926	4.52	4.56	4.57	4.57	4.59	
1068	-22.0	16917	16578	16495	16165	16020	6.08	6.13	6.14	6.15	6.18
	-10.0	19738	19344	19247	18862	18692	5.72	5.76	5.77	5.79	5.81
	0.0	22090	21648	21540	21109	20919	5.41	5.46	5.47	5.48	5.50
	5.0	23266	22801	22687	22233	22033	5.26	5.31	5.32	5.33	5.35
	14.0	25382	24875	24750	24255	24037	4.99	5.03	5.04	5.05	5.07
	17.0	26088	25566	25438	24929	24705	4.90	4.94	4.95	4.96	4.98
	22.0	26526	25996	25866	25348	25120	4.87	4.91	4.92	4.93	4.95
	27.0	26965	26425	26293	25767	25535	4.85	4.89	4.90	4.90	4.92
	32.0	27403	26855	26721	26186	25951	4.82	4.86	4.87	4.88	4.90
	37.0	29166	28582	28439	27871	27620	4.79	4.82	4.83	4.84	4.86
	42.0	32915	32256	32095	31453	31170	4.75	4.79	4.80	4.81	4.83
	44.6	34414	33726	33557	32886	32590	4.74	4.78	4.79	4.80	4.82
	47.0	36663	35930	35751	35036	34720	4.70	4.74	4.75	4.76	4.78
	52.0	40412	39604	39406	38618	38270	4.66	4.70	4.71	4.72	4.74
	57.0	44161	43278	43062	42200	41821	4.62	4.66	4.67	4.68	4.70
	62.0	47910	46952	46717	45783	45371	4.58	4.62	4.63	4.64	4.66
64.4	49410	48422	48180	47216	46791	4.57	4.60	4.61	4.62	4.64	
1600	-22.0	24605	24113	23992	23512	23301	6.14	6.19	6.20	6.21	6.24
	-10.0	28709	28135	27995	27435	27188	5.77	5.82	5.83	5.84	5.87
	0.0	32130	31487	31330	30703	30427	5.47	5.51	5.52	5.54	5.56
	5.0	33840	33163	32997	32338	32046	5.32	5.36	5.37	5.38	5.40
	14.0	36918	36180	35999	35279	34962	5.04	5.08	5.09	5.10	5.12
	17.0	37945	37186	37000	36260	35933	4.95	4.99	5.00	5.01	5.03
	22.0	38582	37811	37621	36869	36537	4.92	4.96	4.97	4.98	5.00
	27.0	39220	38435	38243	37478	37141	4.90	4.93	4.94	4.95	4.97
	32.0	39857	39060	38865	38088	37745	4.87	4.91	4.92	4.93	4.95
	37.0	42421	41573	41365	40538	40173	4.83	4.87	4.88	4.89	4.91
	42.0	47874	46916	46682	45748	45336	4.80	4.84	4.85	4.86	4.88
	44.6	50055	49054	48809	47832	47402	4.79	4.83	4.84	4.85	4.87
	47.0	53327	52260	51999	50959	50500	4.75	4.79	4.80	4.81	4.83
	52.0	58780	57604	57316	56170	55664	4.71	4.75	4.76	4.77	4.79
	57.0	64232	62948	62633	61380	60828	4.67	4.71	4.72	4.73	4.75
	62.0	69685	68291	67950	66591	65992	4.63	4.67	4.68	4.68	4.70
64.4	71866	70429	70077	68675	68057	4.61	4.65	4.66	4.67	4.69	
1750	-22.0	26128	25605	25477	24968	24743	6.20	6.25	6.26	6.28	6.30
	-10.0	30486	29877	29727	29133	28871	5.83	5.88	5.89	5.90	5.93
	0.0	34118	33436	33269	32604	32310	5.52	5.57	5.58	5.59	5.61
	5.0	35935	35216	35040	34339	34030	5.37	5.41	5.42	5.43	5.46
	14.0	39203	38419	38227	37463	37126	5.09	5.13	5.14	5.15	5.17
	17.0	40293	39487	39290	38504	38157	5.00	5.04	5.05	5.06	5.08
	22.0	40970	40151	39950	39151	38799	4.97	5.01	5.02	5.03	5.05
	27.0	41647	40814	40610	39798	39440	4.94	4.98	4.99	5.00	5.02
	32.0	42324	41478	41270	40445	40081	4.92	4.96	4.97	4.98	5.00
	37.0	45047	44146	43925	43047	42659	4.88	4.92	4.93	4.94	4.96
	42.0	50837	49820	49571	48580	48142	4.85	4.89	4.90	4.91	4.93
	44.6	53153	52090	51830	50793	50336	4.84	4.88	4.89	4.90	4.92
	47.0	56627	55495	55217	54113	53626	4.80	4.84	4.85	4.86	4.88
	52.0	62418	61169	60863	59646	59109	4.76	4.80	4.81	4.82	4.83
	57.0	68208	66844	66510	65179	64593	4.72	4.75	4.76	4.77	4.79
	62.0	73998	72518	72156	70713	70076	4.67	4.71	4.72	4.73	4.75
64.4	76314	74788	74414	72926	72269	4.66	4.70	4.70	4.71	4.73	

NOTE: Data highlighted in gray is extrapolated data and not actual test data.

Manufacturer reserves the right to change, at any time, specifications and designs without notice and without obligations.

HEATING PERFORMANCE NON-DUCTED

HEATING PERFORMANCE 48HH (HIGH HEAT)

NON-DUCTED HEATING PERFORMANCE 48HH

AIRFLOW (CFM)	OUTDOOR DB (°F)	TC : Total Heating Capacity (BTU/hr)					PI : Power Input (kW)				
		Indoor Conditions (DB °F)					Indoor Conditions (DB °F)				
		60.8	68.0	70.0	71.6	75.2	60.8	68.0	70.00	71.6	75.2
820	-22.0	23231	22766	22653	22200	22000	6.14	6.19	6.20	6.21	6.24
	-10.0	23578	23107	22991	22531	22329	6.04	6.09	6.10	6.11	6.14
	0.0	23868	23390	23273	22808	22603	5.96	6.01	6.02	6.03	6.06
	5.0	24012	23532	23414	22946	22740	5.92	5.97	5.98	5.99	6.01
	14.0	24273	23787	23668	23195	22986	5.85	5.89	5.91	5.92	5.94
	17.0	24360	23872	23753	23278	23068	5.82	5.87	5.88	5.89	5.92
	22.0	24776	24281	24159	23676	23463	5.79	5.84	5.85	5.87	5.89
	27.0	25193	24689	24566	24074	23858	5.77	5.81	5.83	5.84	5.86
	32.0	25609	25097	24972	24472	24252	5.74	5.79	5.80	5.81	5.83
	37.0	26782	26247	26115	25593	25363	5.66	5.71	5.72	5.73	5.75
	42.0	29090	28508	28365	27798	27548	5.54	5.58	5.59	5.60	5.63
	44.6	30013	29412	29265	28680	28422	5.48	5.53	5.54	5.55	5.57
	47.0	31397	30769	30615	30003	29733	5.34	5.38	5.39	5.40	5.42
	52.0	33704	33030	32865	32208	31918	5.17	5.22	5.23	5.24	5.26
	57.0	36012	35291	35115	34413	34103	5.01	5.05	5.06	5.07	5.09
	62.0	38319	37553	37365	36618	36288	4.85	4.89	4.90	4.91	4.93
64.4	39242	38457	38265	37500	37162	4.79	4.83	4.84	4.84	4.86	
1068	-22.0	30257	29652	29504	28913	28653	6.20	6.25	6.26	6.27	6.30
	-10.0	30709	30095	29945	29346	29082	6.10	6.15	6.16	6.18	6.20
	0.0	31086	30464	30312	29706	29439	6.02	6.07	6.08	6.09	6.12
	5.0	31275	30649	30496	29886	29617	5.98	6.03	6.04	6.05	6.08
	14.0	31614	30982	30827	30210	29938	5.91	5.95	5.96	5.98	6.00
	17.0	31727	31092	30937	30318	30045	5.88	5.93	5.94	5.95	5.98
	22.0	32270	31624	31466	30837	30559	5.85	5.90	5.91	5.92	5.95
	27.0	32812	32156	31995	31355	31073	5.83	5.87	5.89	5.90	5.92
	32.0	33355	32688	32524	31874	31587	5.80	5.85	5.86	5.87	5.89
	37.0	34882	34185	34014	33334	33034	5.72	5.76	5.78	5.79	5.81
	42.0	37888	37130	36944	36205	35879	5.59	5.64	5.65	5.66	5.68
	44.6	39090	38308	38116	37354	37018	5.54	5.58	5.59	5.60	5.63
	47.0	40893	40075	39875	39077	38725	5.39	5.43	5.45	5.46	5.48
	52.0	43898	43020	42805	41949	41571	5.23	5.27	5.28	5.29	5.31
	57.0	46903	45965	45735	44820	44417	5.06	5.10	5.12	5.13	5.15
	62.0	49908	48910	48666	47692	47263	4.90	4.94	4.95	4.96	4.98
64.4	51110	50088	49838	48841	48401	4.84	4.87	4.88	4.89	4.91	
1600	-22.0	44009	43128	42913	42054	41676	6.26	6.31	6.33	6.34	6.36
	-10.0	44666	43773	43554	42683	42299	6.16	6.21	6.23	6.24	6.26
	0.0	45215	44310	44089	43207	42818	6.08	6.13	6.14	6.15	6.18
	5.0	45489	44579	44356	43469	43078	6.04	6.09	6.10	6.11	6.14
	14.0	45982	45062	44837	43940	43545	5.96	6.01	6.03	6.04	6.06
	17.0	46147	45224	44997	44098	43701	5.94	5.99	6.00	6.01	6.04
	22.0	46936	45997	45767	44852	44448	5.91	5.96	5.97	5.98	6.01
	27.0	47725	46770	46537	45606	45195	5.89	5.93	5.94	5.96	5.98
	32.0	48514	47544	47306	46360	45943	5.86	5.90	5.92	5.93	5.95
	37.0	50736	49721	49473	48483	48047	5.78	5.82	5.83	5.85	5.87
	42.0	55107	54005	53735	52660	52186	5.65	5.69	5.71	5.72	5.74
	44.6	56856	55718	55440	54331	53842	5.59	5.64	5.65	5.66	5.68
	47.0	59478	58289	57997	56837	56326	5.45	5.49	5.50	5.51	5.53
	52.0	63849	62572	62259	61014	60465	5.28	5.32	5.33	5.34	5.37
	57.0	68220	66856	66521	65191	64604	5.12	5.16	5.17	5.18	5.20
	62.0	72591	71139	70784	69368	68744	4.95	4.99	5.00	5.01	5.03
64.4	74340	72853	72489	71039	70399	4.88	4.92	4.93	4.94	4.96	
1750	-22.0	46732	45798	45569	44657	44255	6.32	6.38	6.39	6.40	6.43
	-10.0	47431	46482	46250	45325	44917	6.22	6.27	6.29	6.30	6.33
	0.0	48013	47053	46818	45881	45468	6.14	6.19	6.20	6.22	6.24
	5.0	48304	47338	47101	46159	45744	6.10	6.15	6.16	6.17	6.20
	14.0	48828	47851	47612	46660	46240	6.02	6.07	6.09	6.10	6.12
	17.0	49003	48023	47782	46827	46405	6.00	6.05	6.06	6.07	6.10
	22.0	49841	48844	48600	47628	47199	5.97	6.02	6.03	6.04	6.07
	27.0	50679	49665	49417	48429	47993	5.94	5.99	6.00	6.02	6.04
	32.0	51517	50487	50234	49229	48786	5.92	5.96	5.98	5.99	6.01
	37.0	53876	52799	52535	51484	51021	5.83	5.88	5.89	5.90	5.93
	42.0	58518	57348	57061	55920	55416	5.70	5.75	5.76	5.77	5.80
	44.6	60375	59167	58871	57694	57175	5.65	5.70	5.71	5.72	5.74
	47.0	63159	61896	61587	60355	59812	5.50	5.54	5.56	5.57	5.59
	52.0	67801	66445	66113	64791	64207	5.33	5.38	5.39	5.40	5.42
	57.0	72443	70994	70639	69226	68603	5.17	5.21	5.22	5.23	5.25
	62.0	77084	75542	75165	73661	72998	5.00	5.04	5.05	5.06	5.08
64.4	78941	77362	76975	75436	74757	4.93	4.97	4.98	4.99	5.01	

NOTE: Data highlighted in gray is extrapolated data and not actual test data.

Manufacturer reserves the right to change, at any time, specifications and designs without notice and without obligations.

DUCTED PLUS NON-DUCTED COOLING PERFORMANCE 24HH (Sheet 3 of 4)

AIRFLOW (CFM)	OUTDOOR DB (°F)	ID WB (°F)	60.8				64.4				66.2				71.6			
			73.4	77.0	80.6	84.2	73.4	77.0	80.6	84.2	73.4	77.0	80.0	84.20	73.4	77.0	80.6	84.2
960	-22	TC	33963	34008	34046	34092	36004	36046	36089	36132	38155	38205	38254	38297	40455	40499	40550	40600
		S/T	0.48	0.56	0.63	0.72	0.50	0.59	0.67	0.77	0.53	0.63	0.71	0.81	0.57	0.67	0.76	0.86
		PI	2.10	2.10	2.10	2.11	2.22	2.23	2.23	2.23	2.36	2.36	2.36	2.37	2.50	2.50	2.51	2.51
	-10	TC	33663	33708	33746	33791	35686	35728	35770	35813	37818	37867	37917	37959	40098	40142	40192	40242
		S/T	0.48	0.56	0.64	0.73	0.51	0.60	0.68	0.77	0.54	0.63	0.72	0.82	0.57	0.67	0.76	0.87
		PI	2.14	2.15	2.15	2.15	2.27	2.27	2.28	2.28	2.41	2.41	2.41	2.42	2.55	2.55	2.56	2.56
	0	TC	33413	33458	33495	33540	35421	35463	35505	35547	37538	37586	37635	37677	39800	39844	39893	39943
		S/T	0.48	0.57	0.64	0.73	0.51	0.60	0.68	0.78	0.54	0.64	0.72	0.82	0.57	0.67	0.77	0.87
		PI	2.18	2.18	2.18	2.19	2.31	2.31	2.32	2.32	2.45	2.45	2.45	2.46	2.60	2.60	2.60	2.60
	5	TC	33288	33333	33370	33415	35288	35330	35372	35414	37397	37446	37494	37536	39652	39695	39744	39794
		S/T	0.48	0.57	0.64	0.73	0.51	0.60	0.68	0.78	0.54	0.64	0.72	0.83	0.58	0.68	0.77	0.88
		PI	2.20	2.20	2.20	2.21	2.33	2.33	2.33	2.34	2.47	2.47	2.48	2.48	2.62	2.62	2.62	2.63
	14	TC	33063	33107	33144	33189	35050	35092	35133	35175	37145	37193	37241	37283	39384	39427	39476	39525
		S/T	0.49	0.57	0.65	0.74	0.51	0.60	0.69	0.78	0.55	0.64	0.73	0.83	0.58	0.68	0.77	0.88
		PI	2.23	2.23	2.24	2.24	2.36	2.37	2.37	2.37	2.51	2.51	2.51	2.51	2.66	2.66	2.66	2.67
	17	TC	32988	33032	33069	33114	34971	35012	35053	35095	37060	37108	37157	37198	39294	39337	39386	39435
		S/T	0.49	0.57	0.65	0.74	0.52	0.61	0.69	0.78	0.55	0.64	0.73	0.83	0.58	0.68	0.77	0.88
		PI	2.24	2.24	2.25	2.25	2.38	2.38	2.38	2.38	2.52	2.52	2.52	2.53	2.67	2.67	2.68	2.68
	23	TC	32888	32932	32969	33014	34865	34906	34947	34989	36948	36996	37044	37085	39175	39218	39267	39316
		S/T	0.49	0.57	0.65	0.74	0.52	0.61	0.69	0.79	0.55	0.64	0.73	0.83	0.58	0.68	0.78	0.88
		PI	2.26	2.26	2.26	2.26	2.39	2.39	2.40	2.40	2.53	2.54	2.54	2.54	2.69	2.69	2.69	2.70
	32	TC	32738	32782	32819	32863	34706	34747	34788	34829	36780	36827	36875	36916	38997	39039	39088	39136
		S/T	0.49	0.58	0.65	0.75	0.52	0.61	0.69	0.79	0.55	0.65	0.74	0.84	0.58	0.69	0.78	0.89
		PI	2.28	2.28	2.28	2.29	2.41	2.42	2.42	2.42	2.56	2.56	2.57	2.57	2.71	2.72	2.72	2.72
	41	TC	32538	32582	32618	32662	34494	34535	34575	34617	36555	36602	36650	36691	38759	38801	38849	38897
		S/T	0.49	0.58	0.66	0.75	0.52	0.61	0.70	0.79	0.55	0.65	0.74	0.84	0.59	0.69	0.78	0.89
		PI	2.33	2.33	2.33	2.34	2.47	2.47	2.48	2.48	2.62	2.62	2.62	2.63	2.77	2.78	2.78	2.78
	47	TC	32388	32432	32468	32512	34335	34375	34416	34457	36386	36434	36481	36522	38580	38622	38670	38718
		S/T	0.49	0.58	0.66	0.75	0.52	0.61	0.70	0.80	0.56	0.65	0.74	0.84	0.59	0.69	0.78	0.89
		PI	2.37	2.38	2.38	2.38	2.52	2.52	2.52	2.52	2.67	2.67	2.67	2.68	2.83	2.83	2.83	2.84
	50	TC	32320	32364	32400	32444	34263	34303	34344	34385	36310	36357	36404	36445	38499	38541	38589	38637
		S/T	0.50	0.58	0.66	0.75	0.53	0.62	0.70	0.80	0.56	0.65	0.74	0.85	0.59	0.69	0.79	0.90
		PI	2.39	2.39	2.39	2.40	2.53	2.54	2.54	2.54	2.68	2.69	2.69	2.69	2.85	2.85	2.85	2.86
	59	TC	32116	32159	32195	32239	34046	34087	34127	34167	36081	36128	36175	36215	38256	38297	38345	38393
		S/T	0.50	0.58	0.66	0.76	0.53	0.62	0.70	0.80	0.56	0.66	0.75	0.85	0.59	0.70	0.79	0.90
		PI	2.44	2.44	2.44	2.45	2.58	2.59	2.59	2.59	2.74	2.74	2.74	2.75	2.90	2.91	2.91	2.91
	68	TC	31912	31955	31991	32034	33830	33870	33910	33950	35851	35898	35945	35985	38013	38054	38101	38149
		S/T	0.50	0.59	0.67	0.76	0.53	0.62	0.71	0.81	0.56	0.66	0.75	0.86	0.60	0.70	0.80	0.91
		PI	2.48	2.49	2.49	2.49	2.63	2.64	2.64	2.64	2.79	2.79	2.80	2.80	2.96	2.96	2.97	2.97
	77	TC	31708	31750	31786	31829	33614	33653	33693	33733	35622	35668	35715	35755	37770	37811	37858	37905
		S/T	0.51	0.60	0.69	0.78	0.54	0.64	0.73	0.83	0.58	0.68	0.77	0.88	0.61	0.72	0.82	0.93
		PI	2.53	2.54	2.54	2.54	2.68	2.69	2.69	2.69	2.85	2.85	2.85	2.86	3.02	3.02	3.02	3.03
	86	TC	27495	27532	27563	27600	29148	29182	29217	29252	30890	30930	30970	31005	32752	32788	32828	32869
		S/T	0.52	0.61	0.69	0.79	0.55	0.65	0.74	0.84	0.59	0.69	0.78	0.89	0.62	0.73	0.83	0.94
		PI	2.73	2.73	2.74	2.74	2.89	2.90	2.90	2.90	3.07	3.07	3.08	3.08	3.25	3.26	3.26	3.26
	95	TC	26366	26402	26431	26467	27951	27984	28017	28051	29621	29660	29698	29731	31407	31441	31480	31519
		S/T	0.53	0.63	0.71	0.81	0.57	0.66	0.75	0.86	0.60	0.70	0.80	0.91	0.64	0.75	0.85	0.97
		PI	2.81	2.82	2.82	2.82	2.98	2.99	2.99	2.99	3.16	3.16	3.17	3.17	3.35	3.35	3.36	3.36
104	TC	23945	23977	24004	24036	25384	25414	25444	25474	26901	26936	26971	27001	28522	28553	28589	28625	
	S/T	0.56	0.66	0.75	0.85	0.59	0.70	0.79	0.90	0.63	0.74	0.84	0.96	0.67	0.78	0.89	1.02	
	PI	5.93	5.94	5.94	5.95	6.28	6.29	6.30	6.31	6.66	6.67	6.68	6.68	7.06	7.07	7.08	7.09	
114.8	TC	21039	21067	21091	21119	22303	22330	22356	22383	23636	23667	23698	23724	25061	25088	25119	25151	
	S/T	0.57	0.67	0.76	0.86	0.60	0.71	0.80	0.91	0.64	0.75	0.85	0.97	0.68	0.79	0.90	1.03	
	PI	9.67	9.68	9.69	9.70	10.25	10.26	10.27	10.28	10.86	10.87	10.89	10.90	11.51	11.53	11.54	11.56	
122	TC	19101	19127	19149	19174	20250	20274	20298	20322	21460	21487	21515	21539	22753	22778	22806	22835	
	S/T	0.59	0.69	0.78	0.89	0.62	0.73	0.83	0.95	0.66	0.77	0.88	1.00	0.70	0.82	0.93	1.06	
	PI	12.16	12.17	12.19	12.21	12.89	12.90	12.92	12.94	13.66	13.68	13.70	13.71	14.48	14.50	14.52	14.53	

DUCTED PLUS NON-DUCTED COOLING PERFORMANCE 36R (Sheet 3 of 4)

AIRFLOW (CFM)	OUTDOOR DB (°F)	ID WB (°F) ID DB (°F)	60.8				64.4				66.2				71.6				
			73.4	77.0	80.6	84.2	73.4	77.0	80.6	84.2	73.4	77.0	80.0	84.20	73.4	77.0	80.6	84.2	
			TC	S/T	PI	TC	S/T	PI	TC	S/T	PI	TC	S/T	PI	TC	S/T	PI	TC	S/T
1280	-22	TC	45733	45795	45846	45908	48482	48539	48597	48655	51379	51446	51513	51570	54476	54536	54603	54671	
		S/T	0.48	0.56	0.63	0.72	0.50	0.59	0.67	0.77	0.53	0.63	0.71	0.81	0.57	0.67	0.76	0.86	
		PI	2.88	2.88	2.89	2.89	3.05	3.06	3.06	3.06	3.23	3.24	3.24	3.25	3.43	3.43	3.44	3.44	
		-10	TC	45133	45194	45245	45306	47846	47903	47960	48016	50705	50771	50837	50894	53762	53820	53887	53954
		S/T	0.48	0.56	0.64	0.73	0.51	0.60	0.68	0.77	0.54	0.63	0.72	0.82	0.57	0.67	0.76	0.87	
		PI	2.97	2.97	2.97	2.98	3.14	3.15	3.15	3.16	3.33	3.34	3.34	3.34	3.53	3.54	3.54	3.55	
		0	TC	44634	44694	44744	44804	47316	47372	47428	47485	50144	50209	50274	50330	53167	53224	53291	53357
		S/T	0.48	0.57	0.64	0.73	0.51	0.60	0.68	0.78	0.54	0.64	0.72	0.82	0.57	0.67	0.77	0.87	
		PI	3.04	3.04	3.05	3.05	3.22	3.23	3.23	3.23	3.41	3.42	3.42	3.43	3.62	3.62	3.63	3.63	
		5	TC	44384	44443	44493	44553	47051	47107	47163	47219	49863	49928	49993	50048	52869	52926	52992	53058
		S/T	0.48	0.57	0.64	0.73	0.51	0.60	0.68	0.78	0.54	0.64	0.72	0.83	0.58	0.68	0.77	0.88	
		PI	3.08	3.08	3.08	3.09	3.26	3.26	3.27	3.27	3.46	3.46	3.47	3.47	3.66	3.67	3.67	3.68	
		14	TC	43934	43993	44042	44102	46574	46630	46685	46740	49358	49422	49486	49541	52333	52390	52455	52520
		S/T	0.49	0.57	0.65	0.74	0.51	0.60	0.69	0.78	0.55	0.64	0.73	0.83	0.58	0.68	0.77	0.88	
		PI	3.14	3.15	3.15	3.15	3.33	3.33	3.34	3.34	3.53	3.53	3.54	3.54	3.74	3.75	3.75	3.76	
		17	TC	43784	43843	43892	43951	46415	46470	46526	46581	49189	49253	49317	49372	52154	52211	52276	52341
		S/T	0.49	0.57	0.65	0.74	0.52	0.61	0.69	0.78	0.55	0.64	0.73	0.83	0.58	0.68	0.77	0.88	
		PI	3.16	3.17	3.17	3.18	3.35	3.36	3.36	3.37	3.55	3.56	3.56	3.57	3.77	3.77	3.78	3.78	
		23	TC	43584	43643	43692	43750	46204	46258	46313	46368	48964	49028	49092	49147	51916	51973	52037	52102
		S/T	0.49	0.57	0.65	0.74	0.52	0.61	0.69	0.79	0.55	0.64	0.73	0.83	0.58	0.68	0.78	0.88	
		PI	3.18	3.18	3.19	3.19	3.37	3.37	3.38	3.38	3.57	3.58	3.58	3.58	3.79	3.79	3.80	3.80	
		32	TC	43284	43342	43391	43449	45886	45940	45994	46049	48628	48691	48754	48808	51559	51615	51679	51744
		S/T	0.49	0.58	0.65	0.75	0.52	0.61	0.69	0.79	0.55	0.65	0.74	0.84	0.58	0.69	0.78	0.89	
		PI	3.20	3.21	3.21	3.21	3.39	3.40	3.40	3.41	3.60	3.60	3.61	3.61	3.81	3.82	3.82	3.83	
		41	TC	42884	42942	42990	43048	45462	45516	45570	45624	48178	48241	48304	48358	51083	51138	51202	51266
		S/T	0.49	0.58	0.66	0.75	0.52	0.61	0.70	0.79	0.55	0.65	0.74	0.84	0.59	0.69	0.78	0.89	
		PI	3.23	3.23	3.24	3.24	3.42	3.43	3.43	3.44	3.63	3.63	3.64	3.64	3.85	3.85	3.86	3.86	
		47	TC	42584	42642	42689	42747	45144	45197	45251	45305	47841	47904	47966	48019	50726	50781	50844	50907
		S/T	0.49	0.58	0.66	0.75	0.52	0.61	0.70	0.80	0.56	0.65	0.74	0.84	0.59	0.69	0.78	0.89	
		PI	3.25	3.26	3.26	3.26	3.45	3.45	3.46	3.46	3.65	3.66	3.66	3.67	3.87	3.88	3.88	3.89	
		50	TC	42548	42605	42653	42711	45105	45159	45212	45266	47801	47863	47925	47979	50682	50738	50801	50864
		S/T	0.50	0.58	0.66	0.75	0.53	0.62	0.70	0.80	0.56	0.65	0.74	0.85	0.59	0.69	0.79	0.90	
		PI	3.26	3.26	3.27	3.27	3.46	3.46	3.46	3.47	3.66	3.67	3.67	3.68	3.88	3.89	3.89	3.90	
		59	TC	42440	42497	42544	42602	44990	45044	45097	45151	47679	47741	47803	47856	50553	50608	50671	50734
		S/T	0.50	0.58	0.66	0.76	0.53	0.62	0.70	0.80	0.56	0.66	0.75	0.85	0.59	0.70	0.79	0.90	
		PI	3.28	3.29	3.29	3.30	3.48	3.49	3.49	3.49	3.69	3.69	3.70	3.70	3.91	3.92	3.92	3.93	
		68	TC	42331	42388	42435	42493	44875	44928	44982	45035	47557	47619	47681	47734	50424	50479	50541	50604
		S/T	0.50	0.59	0.67	0.76	0.53	0.62	0.71	0.81	0.56	0.66	0.75	0.86	0.60	0.70	0.80	0.91	
		PI	3.31	3.31	3.32	3.32	3.51	3.51	3.51	3.52	3.72	3.72	3.73	3.73	3.94	3.94	3.95	3.95	
		77	TC	42222	42279	42327	42384	44760	44813	44866	44919	47435	47496	47558	47611	50294	50349	50412	50475
		S/T	0.51	0.60	0.69	0.78	0.54	0.64	0.73	0.83	0.58	0.68	0.77	0.88	0.61	0.72	0.82	0.93	
		PI	3.33	3.34	3.34	3.34	3.53	3.54	3.54	3.54	3.74	3.75	3.75	3.76	3.97	3.97	3.98	3.98	
		86	TC	36549	36598	36639	36689	38746	38791	38837	38884	41061	41114	41168	41214	43536	43584	43638	43692
		S/T	0.52	0.61	0.69	0.79	0.55	0.65	0.74	0.84	0.59	0.69	0.78	0.89	0.62	0.73	0.83	0.94	
		PI	3.61	3.61	3.62	3.62	3.83	3.83	3.84	3.84	4.05	4.06	4.07	4.07	4.30	4.30	4.31	4.31	
		95	TC	35156	35203	35243	35290	37269	37313	37357	37402	39496	39547	39599	39643	41877	41923	41975	42027
		S/T	0.53	0.63	0.71	0.81	0.57	0.66	0.75	0.86	0.60	0.70	0.80	0.91	0.64	0.75	0.85	0.97	
		PI	3.69	3.70	3.70	3.71	3.91	3.92	3.92	3.93	4.15	4.15	4.16	4.16	4.40	4.40	4.41	4.41	
		104	TC	30427	30468	30502	30543	32256	32294	32332	32371	34183	34228	34272	34311	36244	36284	36329	36374
		S/T	0.56	0.66	0.75	0.85	0.59	0.70	0.79	0.90	0.63	0.74	0.84	0.96	0.67	0.78	0.89	1.02	
		PI	7.94	7.96	7.96	7.97	8.42	8.43	8.44	8.45	8.93	8.94	8.95	8.96	9.46	9.47	9.49	9.50	
		114.8	TC	24753	24786	24814	24847	26240	26271	26302	26334	27808	27844	27881	27912	29485	29517	29553	29590
		S/T	0.57	0.67	0.76	0.86	0.60	0.71	0.80	0.91	0.64	0.75	0.85	0.97	0.68	0.79	0.90	1.03	
		PI	13.05	13.07	13.08	13.10	13.83	13.85	13.86	13.88	14.66	14.68	14.70	14.71	15.54	15.56	15.58	15.60	
		122	TC	20969	20998	21021	21050	22230	22256	22282	22309	23558	23589	23619	23646	24978	25005	25037	25068
		S/T	0.59	0.69	0.78	0.89	0.62	0.73	0.83	0.95	0.66	0.77	0.88	1.00	0.70	0.82	0.93	1.06	
		PI	16.45	16.47	16.49	16.51	17.44	17.46	17.48	17.50	18.48	18.51	18.53	18.55	19.60	19.62	19.64	19.67	

DUCTED PLUS NON-DUCTED COOLING PERFORMANCE 36HH (Sheet 4 of 4)

AIRFLOW (CFM)	OUTDOOR DB (°F)	ID WB (°F) ID DB (°F)	60.8				64.4				66.2				71.6			
			73.4	77.0	80.6	84.2	73.4	77.0	80.6	84.2	73.4	77.0	80.0	84.20	73.4	77.0	80.6	84.2
1400	-22	TC	49033	49099	49154	49221	51980	52042	52104	52165	55087	55158	55230	55292	58407	58471	58544	58617
		S/T	0.50	0.58	0.66	0.76	0.53	0.62	0.70	0.80	0.56	0.66	0.74	0.85	0.59	0.69	0.79	0.90
		PI	2.89	2.90	2.90	2.90	3.07	3.07	3.07	3.08	3.25	3.25	3.26	3.26	3.45	3.45	3.45	3.46
	-10	TC	48407	48472	48526	48592	51316	51377	51438	51499	54383	54453	54524	54585	57661	57724	57795	57867
		S/T	0.50	0.59	0.67	0.76	0.53	0.62	0.71	0.81	0.56	0.66	0.75	0.85	0.60	0.70	0.79	0.91
		PI	3.08	3.08	3.08	3.09	3.26	3.26	3.27	3.27	3.46	3.46	3.46	3.47	3.66	3.67	3.67	3.68
	0	TC	47885	47949	48003	48067	50763	50823	50883	50943	53796	53866	53936	53996	57039	57101	57172	57243
		S/T	0.50	0.59	0.67	0.77	0.53	0.63	0.71	0.81	0.57	0.66	0.75	0.86	0.60	0.70	0.80	0.91
		PI	3.23	3.23	3.24	3.24	3.42	3.43	3.43	3.44	3.63	3.63	3.64	3.64	3.85	3.85	3.86	3.86
	5	TC	47623	47687	47741	47805	50486	50546	50605	50666	53503	53572	53642	53702	56728	56790	56860	56931
		S/T	0.50	0.59	0.67	0.77	0.54	0.63	0.71	0.81	0.57	0.67	0.76	0.86	0.60	0.71	0.80	0.91
		PI	3.31	3.31	3.31	3.32	3.50	3.51	3.51	3.52	3.71	3.72	3.72	3.73	3.94	3.94	3.95	3.95
	14	TC	47153	47217	47270	47334	49988	50047	50106	50166	52975	53043	53112	53172	56168	56229	56299	56369
		S/T	0.51	0.60	0.68	0.77	0.54	0.63	0.72	0.82	0.57	0.67	0.76	0.87	0.60	0.71	0.81	0.92
		PI	3.44	3.45	3.45	3.46	3.65	3.65	3.66	3.66	3.87	3.87	3.88	3.88	4.10	4.11	4.11	4.12
	17	TC	46997	47060	47113	47176	49821	49880	49940	49999	52799	52867	52936	52995	55982	56042	56112	56182
		S/T	0.51	0.60	0.68	0.77	0.54	0.63	0.72	0.82	0.57	0.67	0.76	0.87	0.61	0.71	0.81	0.92
		PI	3.49	3.49	3.50	3.50	3.70	3.70	3.71	3.71	3.92	3.93	3.93	3.93	4.16	4.16	4.17	4.17
	23	TC	46683	46746	46799	46862	49489	49548	49607	49666	52447	52515	52583	52642	55608	55669	55738	55807
		S/T	0.51	0.60	0.68	0.78	0.54	0.63	0.72	0.82	0.57	0.67	0.76	0.87	0.61	0.71	0.81	0.92
		PI	3.55	3.56	3.56	3.56	3.76	3.77	3.77	3.78	3.99	3.99	4.00	4.00	4.23	4.23	4.24	4.24
	32	TC	46214	46276	46328	46390	48991	49049	49107	49166	51919	51986	52054	52112	55049	55108	55177	55246
		S/T	0.51	0.60	0.68	0.78	0.54	0.64	0.72	0.83	0.58	0.68	0.77	0.88	0.61	0.72	0.81	0.93
		PI	3.64	3.65	3.65	3.66	3.86	3.87	3.87	3.88	4.09	4.10	4.10	4.11	4.34	4.34	4.35	4.35
	41	TC	45744	45805	45856	45918	48493	48550	48608	48666	51391	51457	51524	51582	54489	54548	54616	54684
		S/T	0.52	0.60	0.69	0.78	0.55	0.64	0.73	0.83	0.58	0.68	0.77	0.88	0.61	0.72	0.82	0.93
		PI	3.70	3.70	3.71	3.71	3.92	3.92	3.93	3.93	4.15	4.16	4.16	4.17	4.40	4.41	4.41	4.42
	47	TC	45430	45491	45542	45604	48161	48218	48275	48332	51039	51105	51171	51229	54116	54174	54242	54309
		S/T	0.52	0.61	0.69	0.78	0.55	0.64	0.73	0.83	0.58	0.68	0.77	0.88	0.61	0.72	0.82	0.93
		PI	3.72	3.72	3.73	3.73	3.94	3.95	3.95	3.96	4.18	4.18	4.19	4.19	4.43	4.43	4.44	4.45
	50	TC	45307	45368	45419	45480	48030	48087	48144	48201	50900	50966	51033	51090	53969	54028	54095	54162
		S/T	0.52	0.61	0.69	0.79	0.55	0.64	0.73	0.83	0.58	0.68	0.78	0.88	0.62	0.72	0.82	0.94
		PI	3.72	3.73	3.73	3.74	3.95	3.95	3.96	3.96	4.18	4.19	4.19	4.20	4.43	4.44	4.45	4.45
	59	TC	44938	44998	45049	45109	47639	47695	47752	47808	50485	50551	50617	50673	53529	53587	53654	53721
		S/T	0.52	0.61	0.69	0.79	0.55	0.65	0.74	0.84	0.58	0.69	0.78	0.89	0.62	0.73	0.83	0.94
		PI	3.74	3.74	3.74	3.75	3.96	3.96	3.97	3.97	4.20	4.20	4.21	4.21	4.45	4.45	4.46	4.47
	68	TC	44568	44628	44679	44739	47247	47303	47359	47415	50071	50136	50201	50257	53089	53147	53213	53279
		S/T	0.52	0.61	0.70	0.79	0.55	0.65	0.74	0.84	0.59	0.69	0.78	0.89	0.62	0.73	0.83	0.95
		PI	3.75	3.75	3.76	3.76	3.97	3.98	3.98	3.99	4.21	4.22	4.22	4.23	4.46	4.47	4.48	4.48
	77	TC	44199	44259	44308	44368	46856	46911	46967	47023	49656	49720	49785	49840	52649	52706	52772	52838
		S/T	0.54	0.63	0.72	0.82	0.57	0.67	0.76	0.86	0.60	0.71	0.80	0.92	0.64	0.75	0.85	0.97
		PI	3.76	3.77	3.77	3.78	3.99	3.99	4.00	4.00	4.22	4.23	4.24	4.24	4.48	4.48	4.49	4.50
	86	TC	41344	41400	41447	41502	43829	43881	43933	43985	46448	46509	46569	46621	49249	49302	49363	49425
		S/T	0.54	0.64	0.72	0.83	0.58	0.68	0.77	0.88	0.61	0.72	0.81	0.93	0.65	0.76	0.86	0.98
		PI	4.13	4.13	4.14	4.15	4.38	4.38	4.39	4.39	4.64	4.65	4.65	4.66	4.92	4.92	4.93	4.94
	95	TC	40402	40456	40501	40556	42830	42881	42931	42982	45389	45448	45507	45558	48125	48178	48238	48298
		S/T	0.56	0.65	0.74	0.85	0.59	0.69	0.79	0.90	0.63	0.74	0.84	0.95	0.66	0.78	0.89	1.01
		PI	4.22	4.23	4.23	4.24	4.48	4.48	4.49	4.49	4.75	4.75	4.76	4.76	5.03	5.04	5.04	5.05
	104	TC	35712	35760	35800	35848	37858	37903	37948	37993	40120	40172	40225	40270	42539	42585	42638	42691
		S/T	0.59	0.69	0.78	0.89	0.62	0.73	0.83	0.94	0.66	0.77	0.88	1.00	0.70	0.82	0.93	1.06
		PI	9.42	9.43	9.44	9.45	9.98	9.99	10.01	10.02	10.58	10.59	10.61	10.62	11.22	11.23	11.24	11.26
	114.8	TC	30084	30124	30158	30199	31892	31930	31968	32006	33798	33842	33886	33923	35835	35874	35919	35964
		S/T	0.59	0.70	0.79	0.90	0.63	0.74	0.84	0.95	0.67	0.78	0.89	1.01	0.71	0.83	0.94	1.07
		PI	15.65	15.67	15.69	15.71	16.59	16.61	16.63	16.65	17.58	17.60	17.63	17.65	18.64	18.66	18.68	18.71
	122	TC	26332	26367	26397	26433	27915	27948	27981	28014	29583	29621	29660	29693	31366	31400	31439	31478
		S/T	0.61	0.72	0.82	0.93	0.65	0.76	0.87	0.99	0.69	0.81	0.92	1.05	0.73	0.86	0.97	1.11
		PI	19.80	19.83	19.85	19.88	20.99	21.02	21.04	21.07	22.25	22.28	22.30	22.33	23.59	23.61	23.64	23.67

NOTE: Data highlighted in gray is extrapolated data and not actual test data. At 77°F outdoor conditions sweat protection activates causing a decrease in total capacity.

LEGEND

- TC - Total Net Capacity (Btu/hour)
- S/T: Sensible Cooling Capacity Ratio
- PI: Power Input (kW)
- Extrapolated Data

DUCTED PLUS NON-DUCTED COOLING PERFORMANCE 48HH (Sheet 3 of 4)

AIRFLOW (CFM)	OUTDOOR DB (°F)	ID WB (°F) ID DB (°F)	60.8				64.4				66.2				71.6			
			73.4	77.0	80.6	84.2	73.4	77.0	80.6	84.2	73.4	77.0	80.0	84.20	73.4	77.0	80.6	84.2
			TC	S/T	PI	TC	S/T	PI	TC	S/T	PI	TC	S/T	PI	TC	S/T	PI	TC
1600	-22	TC	48132	48197	48251	48316	51025	51086	51146	51207	54074	54145	54215	54275	57334	57396	57468	57539
		S/T	0.48	0.56	0.63	0.72	0.50	0.59	0.67	0.77	0.53	0.63	0.71	0.81	0.57	0.67	0.76	0.86
		PI	2.42	2.42	2.42	2.43	2.56	2.57	2.57	2.57	2.72	2.72	2.72	2.73	2.88	2.88	2.89	2.89
	-10	TC	47533	47596	47650	47714	50389	50449	50509	50569	53400	53470	53539	53599	56620	56681	56752	56822
		S/T	0.48	0.56	0.64	0.73	0.51	0.60	0.68	0.77	0.54	0.63	0.72	0.82	0.57	0.67	0.76	0.87
		PI	2.59	2.60	2.60	2.60	2.75	2.75	2.76	2.76	2.91	2.92	2.92	2.92	3.09	3.09	3.10	3.10
	0	TC	47033	47096	47149	47212	49860	49919	49978	50037	52839	52908	52976	53036	56024	56085	56155	56225
		S/T	0.48	0.57	0.64	0.73	0.51	0.60	0.68	0.78	0.54	0.64	0.72	0.82	0.57	0.67	0.77	0.87
		PI	2.74	2.74	2.75	2.75	2.90	2.91	2.91	2.91	3.08	3.08	3.09	3.09	3.26	3.27	3.27	3.27
	5	TC	46783	46846	46898	46962	49595	49653	49712	49771	52558	52626	52695	52754	55727	55787	55857	55926
		S/T	0.48	0.57	0.64	0.73	0.51	0.60	0.68	0.78	0.54	0.64	0.72	0.83	0.58	0.68	0.77	0.88
		PI	2.81	2.82	2.82	2.82	2.98	2.99	2.99	2.99	3.16	3.16	3.17	3.17	3.35	3.35	3.36	3.36
	14	TC	46333	46395	46447	46510	49118	49176	49234	49293	52053	52120	52188	52246	55191	55251	55320	55388
		S/T	0.49	0.57	0.65	0.74	0.51	0.60	0.69	0.78	0.55	0.64	0.73	0.83	0.58	0.68	0.77	0.88
		PI	2.94	2.95	2.95	2.96	3.12	3.13	3.13	3.13	3.31	3.31	3.32	3.32	3.51	3.51	3.52	3.52
	17	TC	46183	46245	46297	46359	48959	49017	49075	49133	51884	51952	52019	52077	55012	55072	55141	55209
		S/T	0.49	0.57	0.65	0.74	0.52	0.61	0.69	0.78	0.55	0.64	0.73	0.83	0.58	0.68	0.77	0.88
		PI	2.99	2.99	3.00	3.00	3.17	3.17	3.18	3.18	3.36	3.36	3.37	3.37	3.56	3.56	3.57	3.57
	23	TC	45983	46045	46097	46159	48747	48805	48862	48920	51660	51727	51794	51852	54774	54834	54902	54970
		S/T	0.49	0.57	0.65	0.74	0.52	0.61	0.69	0.79	0.55	0.64	0.73	0.83	0.58	0.68	0.78	0.88
		PI	3.05	3.05	3.05	3.06	3.23	3.23	3.24	3.24	3.42	3.43	3.43	3.44	3.63	3.63	3.64	3.64
	32	TC	45683	45745	45796	45858	48429	48486	48544	48601	51323	51390	51456	51514	54417	54476	54544	54612
		S/T	0.49	0.58	0.65	0.75	0.52	0.61	0.69	0.79	0.55	0.65	0.74	0.84	0.58	0.69	0.78	0.89
		PI	3.13	3.14	3.14	3.15	3.32	3.33	3.33	3.34	3.52	3.53	3.53	3.53	3.73	3.74	3.74	3.75
	41	TC	45283	45344	45395	45456	48005	48062	48119	48176	50874	50940	51006	51063	53941	53999	54066	54134
		S/T	0.49	0.58	0.66	0.75	0.52	0.61	0.70	0.79	0.55	0.65	0.74	0.84	0.59	0.69	0.78	0.89
		PI	3.25	3.26	3.26	3.26	3.45	3.45	3.46	3.46	3.65	3.66	3.66	3.67	3.87	3.88	3.88	3.89
	47	TC	44983	45044	45095	45155	47687	47744	47800	47857	50537	50602	50668	50725	53583	53642	53708	53775
		S/T	0.49	0.58	0.66	0.75	0.52	0.61	0.70	0.80	0.56	0.65	0.74	0.84	0.59	0.69	0.78	0.89
		PI	3.34	3.34	3.35	3.35	3.54	3.54	3.55	3.55	3.75	3.76	3.76	3.77	3.98	3.98	3.99	3.99
	50	TC	44969	45030	45080	45141	47672	47728	47785	47842	50521	50586	50652	50708	53566	53624	53691	53758
		S/T	0.50	0.58	0.66	0.75	0.53	0.62	0.70	0.80	0.56	0.65	0.74	0.85	0.59	0.69	0.79	0.90
		PI	3.36	3.36	3.36	3.37	3.56	3.56	3.57	3.57	3.77	3.78	3.78	3.78	4.00	4.00	4.01	4.01
	59	TC	44926	44986	45037	45097	47626	47682	47739	47796	50472	50537	50603	50660	53515	53573	53639	53706
		S/T	0.50	0.58	0.66	0.76	0.53	0.62	0.70	0.80	0.56	0.66	0.75	0.85	0.59	0.70	0.79	0.90
		PI	3.40	3.41	3.41	3.42	3.61	3.61	3.62	3.62	3.82	3.83	3.83	3.84	4.05	4.06	4.06	4.07
	68	TC	44883	44943	44993	45054	47580	47636	47693	47750	50423	50489	50554	50611	53463	53521	53588	53654
		S/T	0.50	0.59	0.67	0.76	0.53	0.62	0.71	0.81	0.56	0.66	0.75	0.86	0.60	0.70	0.80	0.91
		PI	3.45	3.46	3.46	3.46	3.66	3.66	3.67	3.67	3.88	3.88	3.89	3.89	4.11	4.12	4.12	4.13
	77	TC	44839	44900	44950	45011	47534	47591	47647	47703	50375	50440	50506	50562	53412	53470	53536	53603
		S/T	0.51	0.60	0.69	0.78	0.54	0.64	0.73	0.83	0.58	0.68	0.77	0.88	0.61	0.72	0.82	0.93
		PI	3.50	3.50	3.51	3.51	3.71	3.71	3.72	3.72	3.93	3.94	3.94	3.95	4.17	4.17	4.18	4.18
	86	TC	43068	43126	43175	43233	45657	45711	45765	45819	48385	48448	48511	48565	51302	51358	51422	51486
		S/T	0.52	0.61	0.69	0.79	0.55	0.65	0.74	0.84	0.59	0.69	0.78	0.89	0.62	0.73	0.83	0.94
		PI	3.98	3.99	3.99	4.00	4.22	4.23	4.23	4.24	4.47	4.48	4.49	4.49	4.74	4.75	4.76	4.76
	95	TC	42626	42684	42732	42789	45188	45242	45295	45349	47889	47951	48013	48067	50776	50831	50894	50957
		S/T	0.53	0.63	0.71	0.81	0.57	0.66	0.75	0.86	0.60	0.70	0.80	0.91	0.64	0.75	0.85	0.97
		PI	4.13	4.14	4.14	4.15	4.38	4.38	4.39	4.39	4.64	4.65	4.65	4.66	4.92	4.93	4.93	4.94
	104	TC	36602	36652	36693	36742	38802	38848	38894	38940	41121	41174	41228	41274	43600	43647	43702	43756
		S/T	0.56	0.66	0.75	0.85	0.59	0.70	0.79	0.90	0.63	0.74	0.84	0.96	0.67	0.78	0.89	1.02
		PI	8.67	8.68	8.69	8.70	9.19	9.20	9.21	9.23	9.74	9.75	9.77	9.78	10.33	10.34	10.35	10.37
	114.8	TC	29373	29413	29446	29486	31139	31176	31213	31250	33000	33043	33085	33122	34989	35027	35071	35114
		S/T	0.57	0.67	0.76	0.86	0.60	0.71	0.80	0.91	0.64	0.75	0.85	0.97	0.68	0.79	0.90	1.03
		PI	14.12	14.14	14.15	14.17	14.97	14.99	15.00	15.02	15.86	15.88	15.90	15.92	16.82	16.84	16.86	16.88
	122	TC	24554	24587	24615	24648	26030	26061	26092	26123	27585	27621	27657	27688	29248	29280	29317	29353
		S/T	0.59	0.69	0.78	0.89	0.62	0.73	0.83	0.95	0.66	0.77	0.88	1.00	0.70	0.82	0.93	1.06
		PI	17.75	17.78	17.80	17.82	18.82	18.84	18.86	18.89	19.94	19.97	20.00	20.02	21.15	21.17	21.20	21.22

DUCTED PLUS NON-DUCTED COOLING PERFORMANCE 48HH (Sheet 4 of 4)

AIRFLOW (CFM)	OUTDOOR DB (°F)	ID WB (°F) ID DB (°F)	60.8				64.4				66.2				71.6			
			73.4	77.0	80.6	84.2	73.4	77.0	80.6	84.2	73.4	77.0	80.0	84.20	73.4	77.0	80.6	84.2
			TC	S/T	PI	TC	S/T	PI	TC	S/T	PI	TC	S/T	PI	TC	S/T	PI	TC
1750	-22	TC	50287	50354	50411	50479	53309	53372	53435	53499	56495	56568	56641	56705	59900	59965	60040	60115
		S/T	0.50	0.58	0.66	0.76	0.53	0.62	0.70	0.80	0.56	0.66	0.74	0.85	0.59	0.69	0.79	0.90
		PI	2.53	2.53	2.53	2.53	2.68	2.68	2.68	2.69	2.84	2.84	2.84	2.85	3.01	3.01	3.02	3.02
	-10	TC	49660	49727	49783	49850	52645	52707	52770	52832	55791	55863	55936	55998	59154	59218	59292	59366
		S/T	0.50	0.59	0.67	0.76	0.53	0.62	0.71	0.81	0.56	0.66	0.75	0.85	0.60	0.70	0.79	0.91
		PI	2.71	2.71	2.72	2.72	2.87	2.88	2.88	2.88	3.04	3.05	3.05	3.05	3.23	3.23	3.23	3.24
	0	TC	49138	49204	49259	49325	52091	52153	52215	52277	55204	55276	55347	55409	58532	58595	58668	58741
		S/T	0.50	0.59	0.67	0.77	0.53	0.63	0.71	0.81	0.57	0.66	0.75	0.86	0.60	0.70	0.80	0.91
		PI	2.86	2.87	2.87	2.87	3.03	3.04	3.04	3.04	3.22	3.22	3.22	3.23	3.41	3.41	3.42	3.42
	5	TC	48877	48942	48997	49063	51814	51876	51937	51999	54911	54982	55053	55115	58221	58284	58357	58429
		S/T	0.50	0.59	0.67	0.77	0.54	0.63	0.71	0.81	0.57	0.67	0.76	0.86	0.60	0.71	0.80	0.91
		PI	2.94	2.94	2.95	2.95	3.12	3.12	3.12	3.13	3.30	3.31	3.31	3.31	3.50	3.50	3.51	3.51
	14	TC	48407	48472	48526	48592	51316	51377	51438	51499	54383	54453	54524	54585	57661	57724	57795	57867
		S/T	0.51	0.60	0.68	0.77	0.54	0.63	0.72	0.82	0.57	0.67	0.76	0.87	0.60	0.71	0.81	0.92
		PI	3.08	3.08	3.08	3.09	3.26	3.26	3.27	3.27	3.46	3.46	3.46	3.47	3.66	3.67	3.67	3.68
	17	TC	48250	48315	48369	48434	51150	51211	51271	51332	54207	54277	54348	54408	57474	57537	57608	57680
		S/T	0.51	0.60	0.68	0.77	0.54	0.63	0.72	0.82	0.57	0.67	0.76	0.87	0.61	0.71	0.81	0.92
		PI	3.12	3.13	3.13	3.13	3.31	3.31	3.32	3.32	3.51	3.51	3.52	3.52	3.72	3.72	3.73	3.73
	23	TC	48041	48106	48160	48225	50929	50989	51049	51110	53972	54042	54112	54173	57226	57288	57359	57431
		S/T	0.51	0.60	0.68	0.78	0.54	0.63	0.72	0.82	0.57	0.67	0.76	0.87	0.61	0.71	0.81	0.92
		PI	3.18	3.19	3.19	3.20	3.37	3.38	3.38	3.39	3.58	3.58	3.59	3.59	3.79	3.80	3.80	3.81
	32	TC	47728	47792	47846	47910	50596	50656	50716	50777	53620	53690	53759	53819	56852	56914	56985	57056
		S/T	0.51	0.60	0.68	0.78	0.54	0.64	0.72	0.83	0.58	0.68	0.77	0.88	0.61	0.72	0.81	0.93
		PI	3.28	3.28	3.28	3.29	3.47	3.48	3.48	3.48	3.68	3.68	3.69	3.69	3.90	3.91	3.91	3.92
	41	TC	47310	47374	47427	47491	50154	50213	50273	50332	53151	53220	53289	53348	56355	56416	56486	56557
		S/T	0.52	0.60	0.69	0.78	0.55	0.64	0.73	0.83	0.58	0.68	0.77	0.88	0.61	0.72	0.82	0.93
		PI	3.40	3.40	3.41	3.41	3.60	3.61	3.61	3.61	3.82	3.82	3.83	3.83	4.05	4.05	4.06	4.06
	47	TC	46997	47060	47113	47176	49821	49880	49940	49999	52799	52867	52936	52995	55982	56042	56112	56182
		S/T	0.52	0.61	0.69	0.78	0.55	0.64	0.73	0.83	0.58	0.68	0.77	0.88	0.61	0.72	0.82	0.93
		PI	3.49	3.49	3.50	3.50	3.70	3.70	3.71	3.71	3.92	3.93	3.93	3.93	4.16	4.16	4.17	4.17
	50	TC	46982	47045	47098	47161	49805	49864	49924	49983	52782	52850	52919	52978	55964	56024	56094	56164
		S/T	0.52	0.61	0.69	0.79	0.55	0.64	0.73	0.83	0.58	0.68	0.78	0.88	0.62	0.72	0.82	0.94
		PI	3.51	3.51	3.51	3.52	3.72	3.72	3.73	3.73	3.94	3.94	3.95	3.95	4.18	4.18	4.19	4.19
	59	TC	46937	47000	47052	47116	49758	49816	49876	49935	52731	52799	52868	52927	55910	55971	56040	56110
		S/T	0.52	0.61	0.69	0.79	0.55	0.65	0.74	0.84	0.58	0.69	0.78	0.89	0.62	0.73	0.83	0.94
		PI	3.56	3.56	3.56	3.57	3.77	3.77	3.78	3.78	4.00	4.00	4.01	4.01	4.24	4.24	4.25	4.25
	68	TC	46891	46954	47007	47070	49710	49769	49828	49887	52680	52749	52817	52876	55856	55917	55986	56056
		S/T	0.52	0.61	0.70	0.79	0.55	0.65	0.74	0.84	0.59	0.69	0.78	0.89	0.62	0.73	0.83	0.95
		PI	3.61	3.61	3.61	3.62	3.82	3.83	3.83	3.84	4.05	4.06	4.06	4.07	4.30	4.30	4.31	4.31
	77	TC	46846	46909	46962	47025	49662	49721	49779	49838	52629	52698	52766	52825	55802	55863	55932	56002
		S/T	0.54	0.63	0.72	0.82	0.57	0.67	0.76	0.86	0.60	0.71	0.80	0.92	0.64	0.75	0.85	0.97
		PI	3.66	3.66	3.67	3.67	3.88	3.88	3.88	3.89	4.11	4.11	4.12	4.12	4.36	4.36	4.37	4.37
	86	TC	44996	45056	45107	45168	47700	47757	47813	47870	50551	50616	50682	50739	53598	53656	53723	53790
		S/T	0.54	0.64	0.72	0.83	0.58	0.68	0.77	0.88	0.61	0.72	0.81	0.93	0.65	0.76	0.86	0.98
		PI	4.16	4.17	4.17	4.18	4.41	4.42	4.42	4.43	4.67	4.68	4.69	4.69	4.96	4.96	4.97	4.97
	95	TC	44534	44594	44644	44704	47211	47267	47323	47379	50032	50097	50162	50218	53048	53106	53172	53238
		S/T	0.56	0.65	0.74	0.85	0.59	0.69	0.79	0.90	0.63	0.74	0.84	0.95	0.66	0.78	0.89	1.01
		PI	4.32	4.32	4.33	4.33	4.58	4.58	4.59	4.59	4.85	4.85	4.86	4.87	5.14	5.15	5.15	5.16
	104	TC	38241	38292	38335	38387	40539	40587	40635	40683	42961	43017	43073	43121	45551	45601	45658	45714
		S/T	0.59	0.69	0.78	0.89	0.62	0.73	0.83	0.94	0.66	0.77	0.88	1.00	0.70	0.82	0.93	1.06
		PI	9.06	9.07	9.08	9.09	9.60	9.62	9.63	9.64	10.18	10.19	10.20	10.22	10.79	10.80	10.82	10.83
	114.8	TC	30688	30729	30764	30805	32533	32571	32610	32648	34477	34521	34566	34605	36555	36595	36640	36686
		S/T	0.59	0.70	0.79	0.90	0.63	0.74	0.84	0.95	0.67	0.78	0.89	1.01	0.71	0.83	0.94	1.07
		PI	14.75	14.77	14.79	14.81	15.64	15.66	15.68	15.69	16.57	16.59	16.62	16.63	17.57	17.59	17.61	17.64
	122	TC	25653	25688	25717	25751	27195	27227	27260	27292	28820	28858	28895	28927	30558	30591	30629	30667
		S/T	0.61	0.72	0.82	0.93	0.65	0.76	0.87	0.99	0.69	0.81	0.92	1.05	0.73	0.86	0.97	1.11
		PI	18.55	18.57	18.59	18.62	19.66	19.69	19.71	19.73	20.84	20.86	20.89	20.91	22.09	22.12	22.14	22.17

NOTE: Data highlighted in gray is extrapolated data and not actual test data. At 77°F outdoor conditions sweat protection activates causing a decrease in total capacity.

LEGEND

TC - Total Net Capacity (Btu/hour)
 S/T: Sensible Cooling Capacity Ratio
 PI: Power Input (kW)
 Extrapolated Data

HEATING PERFORMANCE DUCTED PLUS NON-DUCTED

“HEATING PERFORMANCE 18R (STANDARD)” on page 75 “HEATING PERFORMANCE 36HH (HIGH HEAT)” on page 80
 “HEATING PERFORMANCE 24HH (HIGH HEAT)” on page 77 “HEATING PERFORMANCE 48R (STANDARD)” on page 81
 “HEATING PERFORMANCE 30HH (HIGH HEAT)” on page 78 “HEATING PERFORMANCE 48HH (HIGH HEAT)” on page 82
 “HEATING PERFORMANCE 36R (STANDARD)” on page 79

HEATING PERFORMANCE 18R (STANDARD)

DUCTED PLUS NON-DUCTED HEATING PERFORMANCE 18R

AIRFLOW (CFM)	OUTDOOR DB (°F)	TC : Total Heating Capacity (BTU/hr)					PI : Power Input (kW)				
		Indoor Conditions (DB °F)					Indoor Conditions (DB °F)				
		60.8	68.0	70.0	71.6	75.2	60.8	68.0	70.00	71.6	75.2
328	-22.0	4523	4433	4410	4322	4283	2.33	2.35	2.35	2.36	2.37
	-10.0	5475	5365	5339	5232	5185	2.23	2.25	2.26	2.26	2.27
	0.0	6268	6143	6112	5990	5936	2.15	2.17	2.18	2.18	2.19
	5.0	6665	6531	6499	6369	6311	2.11	2.13	2.13	2.14	2.15
	14.0	7379	7231	7195	7051	6988	2.04	2.06	2.06	2.07	2.07
	17.0	7617	7464	7427	7278	7213	2.02	2.03	2.04	2.04	2.05
	22.0	7712	7558	7520	7369	7303	2.00	2.02	2.02	2.03	2.04
	27.0	7807	7651	7613	7460	7393	1.99	2.01	2.01	2.01	2.02
	32.0	7902	7744	7705	7551	7483	1.98	1.99	2.00	2.00	2.01
	37.0	8537	8366	8324	8158	8084	1.96	1.98	1.98	1.98	1.99
	42.0	9980	9781	9732	9537	9451	1.95	1.96	1.97	1.97	1.98
	44.6	10558	10347	10295	10089	9998	1.94	1.95	1.96	1.96	1.97
	47.0	11424	11196	11140	10917	10819	1.92	1.94	1.94	1.94	1.95
	52.0	12868	12610	12547	12296	12186	1.90	1.92	1.92	1.92	1.93
	57.0	14311	14025	13955	13676	13553	1.88	1.90	1.90	1.90	1.91
62.0	15755	15440	15363	15055	14920	1.86	1.88	1.88	1.88	1.89	
64.4	16332	16006	15926	15607	15467	1.85	1.87	1.87	1.88	1.88	
427	-22.0	6548	6417	6385	6257	6201	2.35	2.37	2.38	2.38	2.39
	-10.0	7926	7768	7729	7574	7506	2.26	2.27	2.28	2.28	2.29
	0.0	9074	8893	8849	8672	8594	2.18	2.19	2.20	2.20	2.21
	5.0	9649	9456	9408	9220	9137	2.13	2.15	2.16	2.16	2.17
	14.0	10682	10469	10416	10208	10116	2.06	2.08	2.08	2.09	2.10
	17.0	11027	10806	10752	10537	10442	2.04	2.05	2.06	2.06	2.07
	22.0	11165	10941	10887	10669	10573	2.02	2.04	2.04	2.05	2.06
	27.0	11302	11076	11021	10801	10703	2.01	2.03	2.03	2.04	2.04
	32.0	11440	11211	11155	10932	10834	2.00	2.01	2.02	2.02	2.03
	37.0	12359	12112	12051	11810	11704	1.98	2.00	2.00	2.01	2.01
	42.0	14449	14160	14089	13807	13683	1.97	1.98	1.99	1.99	2.00
	44.6	15285	14979	14904	14606	14475	1.96	1.97	1.98	1.98	1.99
	47.0	16539	16208	16127	15805	15662	1.94	1.96	1.96	1.96	1.97
	52.0	18629	18256	18165	17802	17642	1.92	1.94	1.94	1.94	1.95
	57.0	20719	20305	20203	19799	19621	1.90	1.92	1.92	1.92	1.93
62.0	22809	22353	22241	21796	21600	1.88	1.90	1.90	1.90	1.91	
64.4	23645	23172	23056	22595	22392	1.87	1.89	1.89	1.89	1.90	
640	-22.0	9646	9453	9406	9218	9135	2.38	2.40	2.40	2.41	2.42
	-10.0	11676	11442	11385	11157	11057	2.28	2.30	2.30	2.31	2.32
	0.0	13368	13100	13035	12774	12659	2.20	2.21	2.22	2.22	2.23
	5.0	14213	13929	13859	13582	13460	2.16	2.17	2.18	2.18	2.19
	14.0	15736	15421	15344	15037	14902	2.08	2.10	2.10	2.11	2.12
	17.0	16243	15918	15839	15522	15382	2.06	2.07	2.08	2.08	2.09
	22.0	16446	16117	16037	15716	15575	2.04	2.06	2.07	2.07	2.08
	27.0	16649	16316	16235	15910	15767	2.03	2.05	2.05	2.06	2.06
	32.0	16852	16515	16433	16104	15959	2.02	2.03	2.04	2.04	2.05
	37.0	18206	17842	17752	17397	17241	2.00	2.02	2.02	2.03	2.03
	42.0	21285	20859	20755	20339	20156	1.99	2.00	2.01	2.01	2.02
	44.6	22516	22066	21955	21516	21323	1.98	1.99	2.00	2.00	2.01
	47.0	24363	23876	23757	23281	23072	1.96	1.98	1.98	1.98	1.99
	52.0	27442	26893	26759	26224	25988	1.94	1.96	1.96	1.96	1.97
	57.0	30521	29910	29761	29166	28903	1.92	1.93	1.94	1.94	1.95
62.0	33600	32928	32763	32108	31819	1.90	1.91	1.92	1.92	1.93	
64.4	34831	34134	33964	33284	32985	1.89	1.91	1.91	1.91	1.92	

DUCTED PLUS NON-DUCTED HEATING PERFORMANCE 18R

AIRFLOW (CFM)	OUTDOOR DB (°F)	TC : Total Heating Capacity (BTU/hr)					PI : Power Input (kW)				
		Indoor Conditions (DB °F)					Indoor Conditions (DB °F)				
		60.8	68.0	70.0	71.6	75.2	60.8	68.0	70.00	71.6	75.2
700	-22.0	9882	9684	9636	9443	9358	2.40	2.42	2.42	2.43	2.44
	-10.0	11962	11722	11664	11430	11328	2.30	2.32	2.32	2.33	2.34
	0.0	13695	13421	13354	13087	12969	2.22	2.24	2.24	2.25	2.25
	5.0	14561	14270	14199	13915	13789	2.18	2.20	2.20	2.20	2.21
	14.0	16121	15798	15719	15405	15266	2.10	2.12	2.12	2.13	2.14
	17.0	16641	16308	16226	15902	15759	2.08	2.10	2.10	2.10	2.11
	22.0	16849	16512	16429	16101	15956	2.07	2.08	2.09	2.09	2.10
	27.0	17057	16716	16632	16299	16153	2.05	2.07	2.07	2.08	2.08
	32.0	17265	16920	16835	16498	16350	2.04	2.05	2.06	2.06	2.07
	37.0	18651	18278	18187	17823	17663	2.02	2.04	2.04	2.05	2.05
	42.0	21805	21369	21262	20837	20650	2.01	2.02	2.03	2.03	2.04
	44.6	23067	22606	22493	22043	21844	2.00	2.01	2.02	2.02	2.03
	47.0	24959	24460	24338	23851	23637	1.98	2.00	2.00	2.00	2.01
	52.0	28114	27551	27414	26865	26623	1.96	1.98	1.98	1.98	1.99
	57.0	31268	30642	30489	29879	29610	1.94	1.95	1.96	1.96	1.97
62.0	34422	33733	33565	32893	32597	1.92	1.93	1.94	1.94	1.95	
64.4	35683	34970	34795	34099	33792	1.91	1.93	1.93	1.93	1.94	

NOTE: Data highlighted in gray is extrapolated data and not actual test data.

HEATING PERFORMANCE DUCTED PLUS NON-DUCTED

HEATING PERFORMANCE 24HH (HIGH HEAT)

DUCTED PLUS NON-DUCTED HEATING PERFORMANCE 24HH

AIRFLOW (CFM)	OUTDOOR DB (°F)	TC : Total Heating Capacity (BTU/hr)					PI : Power Input (kW)				
		Indoor Conditions (DB °F)					Indoor Conditions (DB °F)				
		60.8	68.0	70.0	71.6	75.2	60.8	68.0	70.00	71.6	75.2
492	-22.0	6735	6601	6568	6436	6378	3.61	3.64	3.65	3.66	3.67
	-10.0	7973	7814	7775	7619	7551	3.37	3.40	3.41	3.42	3.43
	0.0	9005	8824	8780	8605	8527	3.17	3.20	3.21	3.21	3.23
	5.0	9520	9330	9283	9098	9016	3.07	3.10	3.10	3.11	3.12
	14.0	10449	10240	10188	9985	9895	2.89	2.92	2.92	2.93	2.94
	17.0	10758	10543	10490	10280	10188	2.83	2.86	2.86	2.87	2.88
	22.0	11018	10798	10744	10529	10434	2.83	2.85	2.85	2.86	2.87
	27.0	11279	11053	10998	10778	10681	2.82	2.84	2.85	2.85	2.86
	32.0	11539	11308	11252	11027	10928	2.81	2.83	2.84	2.84	2.86
	37.0	12444	12195	12134	11891	11784	2.80	2.82	2.83	2.84	2.85
	42.0	14314	14028	13958	13679	13556	2.80	2.82	2.82	2.83	2.84
	44.6	15063	14761	14688	14394	14264	2.79	2.82	2.82	2.83	2.84
	47.0	16185	15861	15782	15466	15327	2.79	2.81	2.81	2.82	2.83
	52.0	18056	17695	17606	17254	17099	2.78	2.80	2.81	2.81	2.82
	57.0	19926	19528	19430	19042	18870	2.77	2.79	2.80	2.80	2.81
62.0	21797	21361	21254	20829	20642	2.76	2.78	2.79	2.80	2.81	
64.4	22545	22095	21984	21544	21350	2.76	2.78	2.79	2.79	2.80	
640	-22.0	9747	9552	9504	9314	9230	3.65	3.68	3.69	3.70	3.71
	-10.0	11538	11308	11251	11026	10927	3.41	3.44	3.44	3.45	3.46
	0.0	13031	12770	12706	12452	12340	3.21	3.23	3.24	3.24	3.26
	5.0	13777	13502	13434	13166	13047	3.10	3.13	3.14	3.14	3.16
	14.0	15121	14818	14744	14449	14319	2.92	2.95	2.95	2.96	2.97
	17.0	15569	15257	15181	14877	14743	2.86	2.89	2.89	2.90	2.91
	22.0	15945	15626	15548	15237	15100	2.85	2.88	2.88	2.89	2.90
	27.0	16322	15996	15916	15597	15457	2.85	2.87	2.87	2.88	2.89
	32.0	16699	16365	16283	15957	15814	2.84	2.86	2.87	2.87	2.88
	37.0	18008	17648	17559	17208	17053	2.83	2.85	2.86	2.86	2.88
	42.0	20715	20301	20199	19795	19617	2.82	2.85	2.85	2.86	2.87
	44.6	21798	21362	21255	20830	20642	2.82	2.84	2.85	2.86	2.87
	47.0	23422	22954	22839	22382	22181	2.81	2.84	2.84	2.85	2.86
	52.0	26129	25607	25479	24969	24744	2.81	2.83	2.83	2.84	2.85
	57.0	28837	28260	28118	27556	27308	2.80	2.82	2.83	2.83	2.84
62.0	31544	30913	30758	30143	29872	2.79	2.81	2.82	2.82	2.83	
64.4	32627	31974	31814	31178	30897	2.79	2.81	2.81	2.82	2.83	
960	-22.0	14364	14077	14006	13726	13603	3.69	3.72	3.72	3.73	3.75
	-10.0	17004	16664	16580	16249	16102	3.44	3.47	3.48	3.48	3.50
	0.0	19203	18819	18725	18351	18186	3.24	3.26	3.27	3.28	3.29
	5.0	20303	19897	19798	19402	19227	3.14	3.16	3.17	3.17	3.19
	14.0	22283	21837	21728	21294	21102	2.95	2.98	2.98	2.99	3.00
	17.0	22943	22484	22372	21924	21727	2.89	2.91	2.92	2.93	2.94
	22.0	23498	23028	22913	22455	22253	2.88	2.91	2.91	2.92	2.93
	27.0	24053	23572	23454	22985	22779	2.87	2.90	2.90	2.91	2.92
	32.0	24609	24116	23996	23516	23304	2.87	2.89	2.90	2.90	2.91
	37.0	26538	26007	25877	25359	25131	2.86	2.88	2.89	2.89	2.90
	42.0	30527	29917	29767	29172	28909	2.85	2.88	2.88	2.89	2.90
	44.6	32123	31480	31323	30697	30420	2.85	2.87	2.88	2.88	2.90
	47.0	34517	33826	33657	32984	32687	2.84	2.87	2.87	2.88	2.89
	52.0	38506	37736	37547	36796	36465	2.83	2.86	2.86	2.87	2.88
	57.0	42496	41646	41438	40609	40243	2.83	2.85	2.85	2.86	2.87
62.0	46485	45556	45328	44421	44021	2.82	2.84	2.85	2.85	2.86	
64.4	48081	47119	46884	45946	45533	2.81	2.84	2.84	2.85	2.86	
1050	-22.0	14716	14421	14349	14062	13936	3.72	3.75	3.76	3.77	3.78
	-10.0	17420	17071	16986	16646	16497	3.48	3.51	3.51	3.52	3.53
	0.0	19673	19280	19183	18800	18631	3.27	3.30	3.30	3.31	3.32
	5.0	20800	20384	20282	19877	19698	3.17	3.19	3.20	3.21	3.22
	14.0	22828	22372	22260	21815	21618	2.98	3.01	3.01	3.02	3.03
	17.0	23504	23034	22919	22461	22259	2.92	2.94	2.95	2.96	2.97
	22.0	24073	23592	23474	23004	22797	2.91	2.94	2.94	2.95	2.96
	27.0	24642	24149	24028	23548	23336	2.90	2.93	2.93	2.94	2.95
	32.0	25211	24707	24583	24091	23875	2.90	2.92	2.92	2.93	2.94
	37.0	27187	26643	26510	25980	25746	2.89	2.91	2.92	2.92	2.93
	42.0	31274	30649	30495	29886	29617	2.88	2.90	2.91	2.92	2.93
	44.6	32909	32251	32090	31448	31165	2.88	2.90	2.91	2.91	2.92
	47.0	35361	34654	34481	33791	33487	2.87	2.89	2.90	2.91	2.92
	52.0	39448	38659	38466	37697	37358	2.86	2.89	2.89	2.90	2.91
	57.0	43536	42665	42452	41603	41228	2.85	2.88	2.88	2.89	2.90
62.0	47623	46670	46437	45508	45099	2.85	2.87	2.87	2.88	2.89	
64.4	49258	48272	48031	47071	46647	2.84	2.87	2.87	2.88	2.89	

NOTE: Data highlighted in gray is extrapolated data and not actual test data.

Manufacturer reserves the right to change, at any time, specifications and designs without notice and without obligations.

HEATING PERFORMANCE DUCTED PLUS NON-DUCTED

HEATING PERFORMANCE 30HH (HIGH HEAT)

DUCTED PLUS NON-DUCTED HEATING PERFORMANCE 30HH

AIRFLOW (CFM)	OUTDOOR DB (°F)	TC : Total Heating Capacity (BTU/hr)					PI : Power Input (kW)				
		Indoor Conditions (DB °F)					Indoor Conditions (DB °F)				
		60.8	68.0	70.0	71.6	75.2	60.8	68.0	70.00	71.6	75.2
656	-22.0	6189	6065	6035	5914	5861	3.49	3.52	3.53	3.54	3.55
	-10.0	7970	7811	7772	7616	7548	3.46	3.49	3.50	3.50	3.52
	0.0	9454	9265	9219	9035	8953	3.43	3.46	3.47	3.48	3.49
	5.0	10196	9993	9943	9744	9656	3.42	3.45	3.46	3.46	3.48
	14.0	11532	11302	11245	11020	10921	3.40	3.42	3.43	3.44	3.45
	17.0	11978	11738	11679	11446	11343	3.39	3.42	3.42	3.43	3.44
	22.0	12486	12236	12175	11931	11824	3.38	3.41	3.42	3.42	3.44
	27.0	12994	12734	12670	12417	12305	3.37	3.40	3.41	3.42	3.43
	32.0	13502	13232	13166	12903	12786	3.37	3.40	3.40	3.41	3.42
	37.0	14473	14184	14113	13831	13706	3.36	3.39	3.40	3.40	3.42
	42.0	16139	15816	15737	15422	15283	3.36	3.38	3.39	3.40	3.41
	44.6	16805	16469	16386	16059	15914	3.35	3.38	3.39	3.39	3.41
	47.0	17804	17448	17361	17014	16860	3.35	3.37	3.38	3.39	3.40
	52.0	19470	19080	18985	18605	18438	3.34	3.37	3.37	3.38	3.39
	57.0	21135	20712	20609	20197	20015	3.33	3.36	3.37	3.37	3.39
62.0	22800	22344	22233	21788	21592	3.33	3.35	3.36	3.37	3.38	
64.4	23467	22997	22882	22425	22223	3.32	3.35	3.36	3.36	3.38	
854	-22.0	8960	8781	8737	8562	8485	3.53	3.56	3.57	3.57	3.59
	-10.0	11538	11308	11251	11026	10927	3.50	3.53	3.53	3.54	3.55
	0.0	13687	13414	13346	13080	12962	3.47	3.50	3.50	3.51	3.53
	5.0	14762	14466	14394	14106	13979	3.46	3.48	3.49	3.50	3.51
	14.0	16696	16362	16280	15954	15811	3.43	3.46	3.47	3.47	3.49
	17.0	17340	16993	16908	16570	16421	3.42	3.45	3.46	3.46	3.48
	22.0	18076	17714	17626	17273	17118	3.42	3.44	3.45	3.46	3.47
	27.0	18812	18435	18343	17976	17815	3.41	3.44	3.44	3.45	3.46
	32.0	19547	19156	19061	18679	18511	3.40	3.43	3.44	3.44	3.46
	37.0	20953	20534	20431	20023	19843	3.40	3.42	3.43	3.44	3.45
	42.0	23364	22897	22783	22327	22126	3.39	3.42	3.42	3.43	3.44
	44.6	24329	23842	23723	23249	23039	3.39	3.42	3.42	3.43	3.44
	47.0	25775	25260	25134	24631	24409	3.38	3.41	3.42	3.42	3.44
	52.0	28187	27623	27485	26935	26693	3.37	3.40	3.41	3.42	3.43
	57.0	30598	29986	29836	29239	28976	3.37	3.39	3.40	3.41	3.42
62.0	33009	32349	32187	31543	31259	3.36	3.39	3.39	3.40	3.42	
64.4	33973	33294	33127	32465	32173	3.36	3.39	3.39	3.40	3.41	
1280	-22.0	13199	12935	12870	12613	12499	3.57	3.59	3.60	3.61	3.62
	-10.0	16997	16657	16574	16243	16096	3.53	3.56	3.57	3.58	3.59
	0.0	20163	19759	19661	19267	19094	3.50	3.53	3.54	3.55	3.56
	5.0	21745	21310	21204	20780	20593	3.49	3.52	3.53	3.53	3.55
	14.0	24594	24102	23982	23502	23291	3.47	3.49	3.50	3.51	3.52
	17.0	25544	25033	24908	24409	24190	3.46	3.49	3.49	3.50	3.51
	22.0	26627	26095	25964	25445	25216	3.45	3.48	3.49	3.49	3.51
	27.0	27711	27157	27021	26481	26242	3.44	3.47	3.48	3.49	3.50
	32.0	28795	28219	28078	27516	27269	3.44	3.46	3.47	3.48	3.49
	37.0	30866	30249	30097	29495	29230	3.43	3.46	3.46	3.47	3.49
	42.0	34418	33729	33561	32890	32593	3.42	3.45	3.46	3.47	3.48
	44.6	35838	35122	34946	34247	33939	3.42	3.45	3.46	3.46	3.48
	47.0	37970	37210	37024	36284	35957	3.42	3.44	3.45	3.46	3.47
	52.0	41521	40691	40487	39678	39321	3.41	3.44	3.44	3.45	3.46
	57.0	45073	44172	43951	43072	42684	3.40	3.43	3.44	3.44	3.46
62.0	48625	47653	47414	46466	46048	3.39	3.42	3.43	3.44	3.45	
64.4	50046	49045	48800	47824	47393	3.39	3.42	3.43	3.43	3.45	
1400	-22.0	13522	13251	13185	12921	12805	3.60	3.63	3.64	3.64	3.66
	-10.0	17413	17065	16980	16640	16490	3.57	3.60	3.60	3.61	3.63
	0.0	20656	20243	20142	19739	19561	3.54	3.57	3.58	3.58	3.60
	5.0	22277	21832	21723	21288	21097	3.53	3.55	3.56	3.57	3.58
	14.0	25196	24692	24569	24077	23860	3.50	3.53	3.54	3.54	3.56
	17.0	26169	25645	25517	25007	24782	3.49	3.52	3.53	3.53	3.55
	22.0	27279	26733	26600	26068	25833	3.48	3.51	3.52	3.53	3.54
	27.0	28389	27821	27682	27129	26885	3.48	3.51	3.51	3.52	3.53
	32.0	29500	28910	28765	28190	27936	3.47	3.50	3.51	3.51	3.53
	37.0	31621	30989	30834	30217	29945	3.46	3.49	3.50	3.51	3.52
	42.0	35260	34555	34382	33694	33391	3.46	3.49	3.49	3.50	3.51
	44.6	36715	35981	35801	35085	34769	3.46	3.48	3.49	3.50	3.51
	47.0	38899	38121	37930	37172	36837	3.45	3.48	3.48	3.49	3.51
	52.0	42537	41687	41478	40649	40283	3.44	3.47	3.48	3.48	3.50
	57.0	46176	45253	45026	44126	43729	3.44	3.46	3.47	3.48	3.49
62.0	49815	48819	48575	47603	47175	3.43	3.46	3.46	3.47	3.48	
64.4	51270	50245	49994	48994	48553	3.43	3.45	3.46	3.47	3.48	

NOTE: Data highlighted in gray is extrapolated data and not actual test data.

Manufacturer reserves the right to change, at any time, specifications and designs without notice and without obligations.

HEATING PERFORMANCE DUCTED PLUS NON-DUCTED HEATING PERFORMANCE 36R (STANDARD)

DUCTED PLUS NON-DUCTED HEATING PERFORMANCE 36R

AIRFLOW (CFM)	OUTDOOR DB (°F)	TC : Total Heating Capacity (BTU/hr)					PI : Power Input (kW)				
		Indoor Conditions (DB °F)					Indoor Conditions (DB °F)				
		60.8	68.0	70.0	71.6	75.2	60.8	68.0	70.00	71.6	75.2
656	-22.0	7281	7136	7100	6958	6895	4.11	4.14	4.15	4.16	4.18
	-10.0	9377	9189	9143	8960	8880	4.07	4.11	4.11	4.12	4.14
	0.0	11123	10900	10846	10629	10533	4.04	4.07	4.08	4.09	4.11
	5.0	11996	11756	11697	11463	11360	4.02	4.06	4.07	4.07	4.09
	14.0	13567	13296	13230	12965	12848	4.00	4.03	4.04	4.04	4.06
	17.0	14091	13809	13740	13466	13344	3.99	4.02	4.03	4.03	4.05
	22.0	14689	14395	14323	14037	13911	3.98	4.01	4.02	4.03	4.04
	27.0	15287	14981	14906	14608	14477	3.97	4.00	4.01	4.02	4.03
	32.0	15885	15567	15489	15179	15043	3.96	3.99	4.00	4.01	4.03
	37.0	17027	16687	16603	16271	16125	3.95	3.99	3.99	4.00	4.02
	42.0	18987	18607	18514	18144	17980	3.95	3.98	3.99	4.00	4.01
	44.6	19770	19375	19278	18893	18722	3.95	3.98	3.99	3.99	4.01
	47.0	20946	20527	20424	20016	19836	3.94	3.97	3.98	3.99	4.00
	52.0	22905	22447	22335	21888	21691	3.93	3.96	3.97	3.98	3.99
	57.0	24865	24367	24246	23761	23547	3.92	3.95	3.96	3.97	3.99
	62.0	26824	26288	26156	25633	25402	3.91	3.95	3.95	3.96	3.98
	64.4	27608	27056	26920	26382	26145	3.91	3.94	3.95	3.96	3.97
854	-22.0	10541	10330	10279	10073	9982	4.15	4.19	4.19	4.20	4.22
	-10.0	13575	13303	13237	12972	12855	4.11	4.15	4.16	4.16	4.18
	0.0	16103	15781	15702	15388	15249	4.08	4.11	4.12	4.13	4.15
	5.0	17367	17019	16934	16596	16446	4.07	4.10	4.11	4.11	4.13
	14.0	19642	19249	19153	18770	18601	4.04	4.07	4.08	4.09	4.10
	17.0	20400	19992	19892	19494	19319	4.03	4.06	4.07	4.08	4.09
	22.0	21266	20840	20736	20322	20139	4.02	4.05	4.06	4.07	4.08
	27.0	22131	21689	21580	21149	20958	4.01	4.04	4.05	4.06	4.08
	32.0	22997	22537	22424	21976	21778	4.00	4.03	4.04	4.05	4.07
	37.0	24651	24158	24037	23556	23344	3.99	4.03	4.03	4.04	4.06
	42.0	27487	26938	26803	26267	26031	3.99	4.02	4.03	4.04	4.05
	44.6	28622	28050	27909	27351	27105	3.99	4.02	4.03	4.03	4.05
	47.0	30324	29718	29569	28978	28717	3.98	4.01	4.02	4.03	4.04
	52.0	33161	32497	32335	31688	31403	3.97	4.00	4.01	4.02	4.03
	57.0	35997	35277	35101	34399	34089	3.96	3.99	4.00	4.01	4.03
	62.0	38834	38057	37867	37110	36776	3.95	3.99	3.99	4.00	4.02
	64.4	39969	39169	38973	38194	37850	3.95	3.98	3.99	4.00	4.01
1280	-22.0	15528	15217	15141	14839	14705	4.19	4.23	4.24	4.25	4.26
	-10.0	19997	19597	19499	19109	18937	4.16	4.19	4.20	4.21	4.22
	0.0	23721	23246	23130	22667	22463	4.12	4.16	4.16	4.17	4.19
	5.0	25583	25071	24946	24447	24227	4.11	4.14	4.15	4.16	4.17
	14.0	28934	28356	28214	27649	27401	4.08	4.11	4.12	4.13	4.14
	17.0	30051	29450	29303	28717	28459	4.07	4.10	4.11	4.12	4.13
	22.0	31326	30700	30546	29935	29666	4.06	4.09	4.10	4.11	4.12
	27.0	32601	31949	31790	31154	30873	4.05	4.08	4.09	4.10	4.12
	32.0	33876	33199	33033	32372	32081	4.04	4.08	4.08	4.09	4.11
	37.0	36313	35587	35409	34700	34388	4.03	4.07	4.08	4.08	4.10
	42.0	40491	39682	39483	38694	38345	4.03	4.06	4.07	4.08	4.09
	44.6	42163	41320	41113	40291	39928	4.03	4.06	4.07	4.07	4.09
	47.0	44670	43777	43558	42687	42302	4.02	4.05	4.06	4.07	4.08
	52.0	48849	47872	47632	46680	46260	4.01	4.04	4.05	4.06	4.08
	57.0	53027	51967	51707	50673	50217	4.00	4.03	4.04	4.05	4.07
	62.0	57206	56062	55781	54666	54174	3.99	4.03	4.03	4.04	4.06
	64.4	58877	57700	57411	56263	55757	3.99	4.02	4.03	4.04	4.06
1400	-22.0	15908	15590	15512	15202	15065	4.24	4.27	4.28	4.29	4.31
	-10.0	20486	20076	19976	19576	19400	4.20	4.23	4.24	4.25	4.27
	0.0	24301	23815	23696	23222	23013	4.16	4.20	4.21	4.21	4.23
	5.0	26209	25685	25556	25045	24820	4.15	4.18	4.19	4.20	4.21
	14.0	29642	29049	28904	28326	28071	4.12	4.15	4.16	4.17	4.18
	17.0	30787	30171	30020	29420	29155	4.11	4.14	4.15	4.16	4.17
	22.0	32093	31451	31294	30668	30392	4.10	4.13	4.14	4.15	4.17
	27.0	33399	32731	32568	31916	31629	4.09	4.12	4.13	4.14	4.16
	32.0	34705	34011	33841	33164	32866	4.08	4.12	4.12	4.13	4.15
	37.0	37201	36457	36275	35550	35230	4.08	4.11	4.12	4.12	4.14
	42.0	41482	40653	40449	39640	39284	4.07	4.10	4.11	4.12	4.13
	44.6	43195	42331	42119	41277	40905	4.07	4.10	4.11	4.12	4.13
	47.0	45763	44848	44624	43731	43338	4.06	4.09	4.10	4.11	4.12
	52.0	50044	49043	48798	47822	47392	4.05	4.08	4.09	4.10	4.12
	57.0	54325	53238	52972	51913	51446	4.04	4.07	4.08	4.09	4.11
	62.0	58606	57434	57146	56004	55500	4.03	4.07	4.07	4.08	4.10
	64.4	60318	59112	58816	57640	57121	4.03	4.06	4.07	4.08	4.10

NOTE: Data highlighted in gray is extrapolated data and not actual test data.

Manufacturer reserves the right to change, at any time, specifications and designs without notice and without obligations.

HEATING PERFORMANCE DUCTED PLUS NON-DUCTED

HEATING PERFORMANCE 36HH (HIGH HEAT)

DUCTED PLUS NON-DUCTED HEATING PERFORMANCE 36HH

AIRFLOW (CFM)	OUTDOOR DB (°F)	TC : Total Heating Capacity (BTU/hr)					PI : Power Input (kW)				
		Indoor Conditions (DB °F)					Indoor Conditions (DB °F)				
		60.8	68.0	70.0	71.6	75.2	60.8	68.0	70.00	71.6	75.2
656	-22.0	16223	15899	15819	15503	15363	5.87	5.92	5.93	5.94	5.97
	-10.0	16629	16297	16215	15891	15748	5.63	5.68	5.69	5.70	5.72
	0.0	16968	16628	16545	16214	16068	5.43	5.48	5.49	5.50	5.52
	5.0	17137	16794	16710	16376	16229	5.33	5.37	5.39	5.40	5.42
	14.0	17441	17093	17007	16667	16517	5.15	5.19	5.20	5.21	5.23
	17.0	17543	17192	17106	16764	16613	5.09	5.13	5.14	5.15	5.17
	22.0	17633	17281	17194	16850	16699	5.01	5.05	5.06	5.07	5.09
	27.0	17723	17369	17282	16936	16784	4.93	4.97	4.98	4.99	5.01
	32.0	17814	17457	17370	17023	16870	4.85	4.89	4.90	4.91	4.93
	37.0	18381	18013	17923	17565	17407	4.72	4.76	4.77	4.78	4.80
	42.0	19663	19270	19174	18790	18621	4.57	4.61	4.62	4.62	4.64
	44.6	20176	19773	19674	19281	19107	4.50	4.54	4.55	4.56	4.58
	47.0	20946	20527	20424	20016	19836	4.32	4.36	4.37	4.38	4.39
	52.0	22229	21784	21675	21242	21050	4.12	4.16	4.16	4.17	4.19
	57.0	23511	23041	22926	22467	22265	3.92	3.95	3.96	3.97	3.99
	62.0	24794	24298	24176	23693	23480	3.72	3.75	3.76	3.77	3.78
64.4	25307	24801	24677	24183	23965	3.64	3.67	3.68	3.69	3.70	
854	-22.0	23487	23017	22902	22444	22242	5.93	5.98	5.99	6.00	6.03
	-10.0	24075	23593	23475	23006	22799	5.69	5.73	5.75	5.76	5.78
	0.0	24565	24073	23953	23474	23263	5.49	5.53	5.54	5.55	5.58
	5.0	24810	24313	24192	23708	23495	5.39	5.43	5.44	5.45	5.47
	14.0	25250	24745	24622	24129	23912	5.20	5.25	5.26	5.27	5.29
	17.0	25397	24889	24765	24270	24051	5.14	5.18	5.19	5.20	5.23
	22.0	25528	25018	24892	24395	24175	5.06	5.10	5.11	5.12	5.14
	27.0	25659	25146	25020	24519	24299	4.98	5.02	5.03	5.04	5.06
	32.0	25789	25274	25147	24644	24422	4.90	4.94	4.95	4.96	4.98
	37.0	26610	26078	25948	25429	25200	4.77	4.81	4.82	4.83	4.85
	42.0	28467	27898	27758	27203	26958	4.62	4.65	4.66	4.67	4.69
	44.6	29210	28626	28483	27913	27662	4.55	4.59	4.59	4.60	4.62
	47.0	30324	29718	29569	28978	28717	4.37	4.40	4.41	4.42	4.44
	52.0	32181	31537	31380	30752	30475	4.16	4.20	4.21	4.21	4.23
	57.0	34038	33357	33190	32526	32234	3.96	3.99	4.00	4.01	4.03
	62.0	35894	35177	35001	34301	33992	3.76	3.79	3.80	3.81	3.82
64.4	36637	35904	35725	35010	34695	3.68	3.71	3.72	3.72	3.74	
1280	-22.0	34598	33906	33737	33062	32764	5.99	6.04	6.05	6.06	6.09
	-10.0	35464	34755	34581	33889	33584	5.75	5.79	5.80	5.82	5.84
	0.0	36186	35462	35285	34579	34268	5.54	5.59	5.60	5.61	5.63
	5.0	36547	35816	35637	34924	34610	5.44	5.48	5.49	5.51	5.53
	14.0	37196	36452	36270	35545	35225	5.26	5.30	5.31	5.32	5.34
	17.0	37413	36664	36481	35751	35430	5.19	5.24	5.25	5.26	5.28
	22.0	37605	36853	36669	35935	35612	5.11	5.15	5.16	5.17	5.20
	27.0	37798	37042	36856	36119	35794	5.03	5.07	5.08	5.09	5.11
	32.0	37990	37230	37044	36303	35976	4.95	4.99	5.00	5.01	5.03
	37.0	39200	38416	38224	37459	37122	4.82	4.86	4.87	4.88	4.90
	42.0	41935	41096	40891	40073	39712	4.66	4.70	4.71	4.72	4.74
	44.6	43029	42168	41957	41118	40748	4.59	4.63	4.64	4.65	4.67
	47.0	44670	43777	43558	42687	42302	4.41	4.45	4.46	4.46	4.48
	52.0	47405	46457	46225	45300	44893	4.21	4.24	4.25	4.26	4.27
	57.0	50140	49138	48892	47914	47483	4.00	4.03	4.04	4.05	4.07
	62.0	52876	51818	51559	50528	50073	3.80	3.83	3.84	3.84	3.86
64.4	53970	52890	52626	51573	51109	3.72	3.75	3.75	3.76	3.78	
1400	-22.0	35445	34736	34562	33871	33566	6.05	6.10	6.11	6.12	6.15
	-10.0	36332	35605	35427	34719	34406	5.80	5.85	5.86	5.87	5.90
	0.0	37071	36330	36148	35425	35106	5.60	5.64	5.65	5.66	5.69
	5.0	37441	36692	36509	35779	35457	5.49	5.54	5.55	5.56	5.58
	14.0	38106	37344	37158	36414	36087	5.31	5.35	5.36	5.37	5.39
	17.0	38328	37562	37374	36626	36297	5.25	5.29	5.30	5.31	5.33
	22.0	38525	37755	37566	36815	36483	5.16	5.21	5.22	5.23	5.25
	27.0	38723	37948	37758	37003	36670	5.08	5.12	5.13	5.14	5.16
	32.0	38920	38141	37951	37192	36857	5.00	5.04	5.05	5.06	5.08
	37.0	40159	39356	39159	38376	38030	4.87	4.91	4.92	4.93	4.95
	42.0	42961	42102	41891	41053	40684	4.71	4.75	4.76	4.77	4.79
	44.6	44082	43200	42984	42125	41745	4.64	4.68	4.69	4.70	4.72
	47.0	45763	44848	44624	43731	43338	4.45	4.49	4.50	4.51	4.53
	52.0	48565	47594	47356	46409	45991	4.25	4.28	4.29	4.30	4.32
	57.0	51367	50340	50088	49087	48645	4.04	4.07	4.08	4.09	4.11
	62.0	54170	53086	52821	51764	51299	3.84	3.87	3.87	3.88	3.90
64.4	55290	54185	53914	52835	52360	3.75	3.78	3.79	3.80	3.81	

NOTE: Data highlighted in gray is extrapolated data and not actual test data.

Manufacturer reserves the right to change, at any time, specifications and designs without notice and without obligations.

HEATING PERFORMANCE DUCTED PLUS NON-DUCTED HEATING PERFORMANCE 48R (STANDARD)

DUCTED PLUS NON-DUCTED HEATING PERFORMANCE 48R

AIRFLOW (CFM)	OUTDOOR DB (°F)	TC : Total Heating Capacity (BTU/hr)					PI : Power Input (kW)				
		Indoor Conditions (DB °F)					Indoor Conditions (DB °F)				
		60.8	68.0	70.0	71.6	75.2	60.8	68.0	70.00	71.6	75.2
820	-22.0	11422	11194	11138	10915	10817	5.96	6.01	6.02	6.03	6.05
	-10.0	13327	13061	12996	12736	12621	5.60	5.65	5.66	5.67	5.69
	0.0	14915	14617	14544	14253	14125	5.31	5.35	5.36	5.37	5.39
	5.0	15709	15395	15318	15012	14876	5.16	5.20	5.21	5.22	5.24
	14.0	17138	16795	16711	16377	16230	4.89	4.93	4.94	4.95	4.97
	17.0	17614	17262	17176	16832	16681	4.80	4.84	4.85	4.86	4.88
	22.0	17910	17552	17464	17115	16961	4.78	4.81	4.82	4.83	4.85
	27.0	18206	17842	17753	17398	17241	4.75	4.79	4.80	4.81	4.83
	32.0	18502	18132	18042	17681	17522	4.72	4.76	4.77	4.78	4.80
	37.0	19693	19299	19202	18818	18649	4.69	4.73	4.74	4.75	4.77
	42.0	22224	21779	21670	21237	21046	4.66	4.70	4.71	4.72	4.74
	44.6	23236	22772	22658	22205	22005	4.65	4.68	4.69	4.70	4.72
	47.0	24755	24260	24139	23656	23443	4.61	4.65	4.66	4.67	4.69
	52.0	27286	26741	26607	26075	25840	4.57	4.61	4.62	4.63	4.64
	57.0	29818	29221	29075	28494	28237	4.53	4.57	4.58	4.59	4.60
62.0	32349	31702	31543	30913	30634	4.49	4.53	4.54	4.55	4.56	
64.4	33361	32694	32531	31880	31593	4.47	4.51	4.52	4.53	4.55	
1068	-22.0	16540	16209	16128	15806	15663	6.02	6.07	6.08	6.09	6.12
	-10.0	19299	18913	18818	18442	18276	5.66	5.71	5.72	5.73	5.75
	0.0	21598	21166	21060	20639	20454	5.36	5.40	5.41	5.43	5.45
	5.0	22748	22293	22181	21738	21542	5.21	5.25	5.26	5.27	5.29
	14.0	24817	24321	24199	23715	23502	4.94	4.98	4.99	5.00	5.02
	17.0	25507	24997	24872	24374	24155	4.85	4.89	4.90	4.91	4.93
	22.0	25936	25417	25290	24784	24561	4.82	4.86	4.87	4.88	4.90
	27.0	26364	25837	25708	25194	24967	4.80	4.84	4.85	4.86	4.88
	32.0	26793	26257	26126	25603	25373	4.77	4.81	4.82	4.83	4.85
	37.0	28516	27946	27806	27250	27005	4.74	4.78	4.79	4.80	4.82
	42.0	32182	31538	31380	30753	30476	4.71	4.75	4.75	4.76	4.78
	44.6	33648	32975	32810	32154	31864	4.69	4.73	4.74	4.75	4.77
	47.0	35847	35130	34955	34255	33947	4.66	4.70	4.70	4.71	4.73
	52.0	39513	38722	38529	37758	37418	4.62	4.65	4.66	4.67	4.69
	57.0	43178	42315	42103	41261	40890	4.58	4.61	4.62	4.63	4.65
62.0	46844	45907	45677	44764	44361	4.54	4.57	4.58	4.59	4.61	
64.4	48310	47344	47107	46165	45749	4.52	4.56	4.57	4.57	4.59	
1600	-22.0	24359	23872	23752	23277	23068	6.08	6.13	6.14	6.15	6.18
	-10.0	28422	27854	27715	27160	26916	5.72	5.76	5.77	5.79	5.81
	0.0	31809	31172	31017	30396	30123	5.41	5.46	5.47	5.48	5.50
	5.0	33502	32832	32667	32014	31726	5.26	5.31	5.32	5.33	5.35
	14.0	36549	35818	35639	34926	34612	4.99	5.03	5.04	5.05	5.07
	17.0	37565	36814	36630	35897	35574	4.90	4.94	4.95	4.96	4.98
	22.0	38196	37432	37245	36500	36172	4.87	4.91	4.92	4.93	4.95
	27.0	38828	38051	37861	37104	36770	4.85	4.89	4.90	4.90	4.92
	32.0	39459	38670	38476	37707	37367	4.82	4.86	4.87	4.88	4.90
	37.0	41997	41157	40951	40132	39771	4.79	4.82	4.83	4.84	4.86
	42.0	47395	46447	46215	45291	44883	4.75	4.79	4.80	4.81	4.83
	44.6	49554	48563	48321	47354	46928	4.74	4.78	4.79	4.80	4.82
	47.0	52793	51738	51479	50449	49995	4.70	4.74	4.75	4.76	4.78
	52.0	58192	57028	56743	55608	55107	4.66	4.70	4.71	4.72	4.74
	57.0	63590	62318	62007	60766	60220	4.62	4.66	4.67	4.68	4.70
62.0	68988	67609	67270	65925	65332	4.58	4.62	4.63	4.64	4.66	
64.4	71148	69725	69376	67989	67377	4.57	4.60	4.61	4.62	4.64	
1750	-22.0	24955	24456	24334	23847	23632	6.14	6.19	6.20	6.21	6.24
	-10.0	29118	28536	28393	27825	27575	5.77	5.82	5.83	5.84	5.87
	0.0	32587	31935	31776	31140	30860	5.47	5.51	5.52	5.53	5.56
	5.0	34321	33635	33467	32798	32502	5.32	5.36	5.37	5.38	5.40
	14.0	37444	36695	36511	35781	35459	5.04	5.08	5.09	5.10	5.12
	17.0	38484	37715	37526	36776	36445	4.95	4.99	5.00	5.01	5.03
	22.0	39131	38348	38157	37394	37057	4.92	4.96	4.97	4.98	5.00
	27.0	39778	38982	38787	38012	37669	4.89	4.93	4.94	4.95	4.97
	32.0	40424	39616	39418	38629	38282	4.87	4.91	4.92	4.93	4.95
	37.0	43025	42164	41953	41114	40744	4.83	4.87	4.88	4.89	4.91
	42.0	48555	47584	47346	46399	45981	4.80	4.84	4.85	4.86	4.88
	44.6	50767	49752	49503	48513	48076	4.79	4.83	4.84	4.85	4.87
	47.0	54085	53004	52739	51684	51219	4.75	4.79	4.80	4.81	4.83
	52.0	59616	58423	58131	56969	56456	4.71	4.75	4.76	4.77	4.79
	57.0	65146	63843	63524	62253	61693	4.67	4.71	4.72	4.73	4.74
62.0	70676	69263	68917	67538	66930	4.63	4.67	4.67	4.68	4.70	
64.4	72889	71431	71074	69652	69025	4.61	4.65	4.66	4.67	4.69	

NOTE: Data highlighted in gray is extrapolated data and not actual test data.

Manufacturer reserves the right to change, at any time, specifications and designs without notice and without obligations.

HEATING PERFORMANCE DUCTED PLUS NON-DUCTED

HEATING PERFORMANCE 48HH (HIGH HEAT)

DUCTED PLUS NON-DUCTED HEATING PERFORMANCE 48HH

AIRFLOW (CFM)	OUTDOOR DB (°F)	TC : Total Heating Capacity (BTU/hr)					PI : Power Input (kW)				
		Indoor Conditions (DB °F)					Indoor Conditions (DB °F)				
		60.8	68.0	70.0	71.6	75.2	60.8	68.0	70.00	71.6	75.2
820	-22.0	20429	20021	19921	19522	19347	6.08	6.12	6.14	6.15	6.17
	-10.0	20735	20320	20219	19814	19636	5.98	6.03	6.04	6.05	6.08
	0.0	20989	20570	20467	20057	19877	5.90	5.95	5.96	5.97	6.00
	5.0	21117	20694	20591	20179	19997	5.86	5.91	5.92	5.93	5.95
	14.0	21346	20919	20814	20398	20214	5.79	5.83	5.85	5.86	5.88
	17.0	21422	20993	20889	20471	20286	5.76	5.81	5.82	5.83	5.86
	22.0	21788	21353	21246	20821	20633	5.74	5.78	5.79	5.81	5.83
	27.0	22155	21712	21603	21171	20980	5.71	5.76	5.77	5.78	5.80
	32.0	22521	22071	21960	21521	21327	5.68	5.73	5.74	5.75	5.78
	37.0	23553	23081	22966	22507	22304	5.60	5.65	5.66	5.67	5.69
	42.0	25582	25070	24945	24446	24226	5.48	5.53	5.54	5.55	5.57
	44.6	26393	25865	25736	25221	24994	5.43	5.47	5.48	5.49	5.52
	47.0	27611	27058	26923	26385	26147	5.28	5.33	5.34	5.35	5.37
	52.0	29640	29047	28902	28324	28069	5.12	5.16	5.17	5.19	5.21
	57.0	31669	31035	30880	30263	29990	4.96	5.00	5.01	5.02	5.04
62.0	33698	33024	32859	32202	31912	4.80	4.84	4.85	4.86	4.88	
64.4	34510	33819	33650	32977	32680	4.74	4.78	4.79	4.80	4.82	
1068	-22.0	29583	28992	28847	28270	28015	6.14	6.19	6.20	6.21	6.24
	-10.0	30026	29425	29278	28692	28434	6.04	6.09	6.10	6.11	6.14
	0.0	30394	29786	29637	29044	28783	5.96	6.01	6.02	6.03	6.06
	5.0	30578	29967	29817	29221	28958	5.92	5.97	5.98	5.99	6.01
	14.0	30910	30292	30140	29537	29272	5.85	5.89	5.91	5.92	5.94
	17.0	31021	30400	30248	29643	29376	5.82	5.87	5.88	5.89	5.92
	22.0	31551	30920	30765	30150	29879	5.79	5.84	5.85	5.87	5.89
	27.0	32082	31440	31283	30657	30381	5.77	5.81	5.83	5.84	5.86
	32.0	32612	31960	31800	31164	30884	5.74	5.79	5.80	5.81	5.83
	37.0	34106	33424	33257	32591	32298	5.66	5.71	5.72	5.73	5.75
	42.0	37044	36303	36122	35399	35081	5.54	5.58	5.59	5.60	5.63
	44.6	38219	37455	37268	36522	36194	5.48	5.53	5.54	5.55	5.57
	47.0	39982	39183	38987	38207	37863	5.34	5.38	5.39	5.40	5.42
	52.0	42921	42062	41852	41015	40646	5.17	5.22	5.23	5.24	5.26
	57.0	45859	44942	44717	43823	43428	5.01	5.05	5.06	5.07	5.09
62.0	48797	47821	47582	46630	46211	4.85	4.89	4.90	4.91	4.93	
64.4	49972	48973	48728	47754	47324	4.79	4.83	4.84	4.84	4.86	
1600	-22.0	43568	42697	42484	41634	41259	6.20	6.25	6.26	6.27	6.30
	-10.0	44220	43335	43119	42256	41876	6.10	6.15	6.16	6.18	6.20
	0.0	44762	43867	43648	42775	42390	6.02	6.07	6.08	6.09	6.12
	5.0	45034	44133	43912	43034	42647	5.98	6.03	6.04	6.05	6.08
	14.0	45522	44612	44389	43501	43109	5.91	5.95	5.96	5.98	6.00
	17.0	45685	44771	44547	43657	43264	5.88	5.93	5.94	5.95	5.98
	22.0	46466	45537	45309	44403	44004	5.85	5.90	5.91	5.92	5.95
	27.0	47248	46303	46071	45150	44744	5.83	5.88	5.89	5.90	5.92
	32.0	48029	47069	46833	45897	45483	5.80	5.85	5.86	5.87	5.89
	37.0	50229	49224	48978	47999	47567	5.72	5.76	5.78	5.79	5.81
	42.0	54556	53465	53198	52134	51665	5.59	5.64	5.65	5.66	5.68
	44.6	56287	55161	54885	53788	53304	5.54	5.58	5.59	5.60	5.63
	47.0	58883	57706	57417	56269	55762	5.39	5.43	5.45	5.46	5.48
	52.0	63211	61946	61637	60404	59860	5.23	5.27	5.28	5.29	5.31
	57.0	67538	66187	65856	64539	63958	5.06	5.10	5.12	5.13	5.15
62.0	71865	70428	70076	68674	68056	4.90	4.94	4.95	4.96	4.98	
64.4	73596	72124	71764	70328	69695	4.84	4.87	4.88	4.89	4.91	
1750	-22.0	44635	43742	43523	42653	42269	6.26	6.31	6.32	6.34	6.36
	-10.0	45302	44396	44174	43290	42901	6.16	6.21	6.22	6.24	6.26
	0.0	45858	44941	44716	43822	43427	6.08	6.13	6.14	6.15	6.18
	5.0	46136	45213	44987	44087	43690	6.04	6.09	6.10	6.11	6.14
	14.0	46636	45703	45475	44565	44164	5.96	6.01	6.02	6.04	6.06
	17.0	46803	45867	45638	44725	44322	5.94	5.99	6.00	6.01	6.04
	22.0	47603	46651	46418	45490	45080	5.91	5.96	5.97	5.98	6.01
	27.0	48404	47436	47199	46255	45838	5.88	5.93	5.94	5.96	5.98
	32.0	49204	48220	47979	47020	46596	5.86	5.90	5.92	5.93	5.95
	37.0	51458	50429	50177	49173	48731	5.77	5.82	5.83	5.84	5.87
	42.0	55891	54773	54499	53409	52929	5.65	5.69	5.70	5.72	5.74
	44.6	57664	56511	56229	55104	54608	5.59	5.64	5.65	5.66	5.68
	47.0	60324	59118	58822	57646	57127	5.44	5.49	5.50	5.51	5.53
	52.0	64757	63462	63145	61882	61325	5.28	5.32	5.33	5.34	5.36
	57.0	69191	67807	67468	66118	65523	5.11	5.16	5.17	5.18	5.20
62.0	73624	72151	71791	70355	69722	4.95	4.99	5.00	5.01	5.03	
64.4	75397	73889	73520	72049	71401	4.88	4.92	4.93	4.94	4.96	

NOTE: Data highlighted in gray is extrapolated data and not actual test data.

Manufacturer reserves the right to change, at any time, specifications and designs without notice and without obligations.

DUCTED COOLING PERFORMANCE 30HH (Sheet 2 of 4)

AIRFLOW (CFM)	OUTDOOR DB (°F)	ID WB (°F) D DB (°F)	60.8				64.4				66.2				71.6			
			73.4	77.0	80.6	84.2	73.4	77.0	80.6	84.2	73.4	77.0	80.0	84.20	73.4	77.0	80.6	84.2
			TC	S/T	PI	TC	S/T	PI	TC	S/T	PI	TC	S/T	PI	TC	S/T	PI	
820	-22	TC	25293	25327	25356	25390	26814	26845	26877	26909	28416	28453	28490	28522	30129	30162	30199	30237
		S/T	0.31	0.37	0.42	0.48	0.33	0.39	0.44	0.50	0.35	0.41	0.47	0.53	0.37	0.44	0.50	0.57
		PI	1.59	1.59	1.60	1.60	1.69	1.69	1.69	1.69	1.79	1.79	1.79	1.80	1.90	1.90	1.90	1.90
	-10	TC	24962	24995	25023	25057	26462	26493	26525	26556	28043	28080	28116	28147	29734	29766	29803	29840
		S/T	0.32	0.37	0.42	0.48	0.33	0.39	0.45	0.51	0.35	0.42	0.47	0.54	0.38	0.44	0.50	0.57
		PI	1.64	1.64	1.64	1.65	1.74	1.74	1.74	1.75	1.84	1.85	1.85	1.85	1.95	1.96	1.96	1.96
	0	TC	24685	24718	24746	24779	26169	26200	26231	26262	27733	27769	27805	27836	29404	29436	29473	29510
		S/T	0.32	0.37	0.42	0.48	0.34	0.39	0.45	0.51	0.36	0.42	0.47	0.54	0.38	0.44	0.50	0.57
		PI	1.68	1.68	1.69	1.69	1.78	1.78	1.79	1.79	1.89	1.89	1.89	1.90	2.00	2.00	2.01	2.01
	5	TC	24547	24580	24608	24641	26022	26053	26084	26115	27577	27613	27649	27680	29240	29272	29308	29345
		S/T	0.32	0.37	0.42	0.48	0.34	0.40	0.45	0.51	0.36	0.42	0.48	0.54	0.38	0.44	0.50	0.58
		PI	1.70	1.70	1.71	1.71	1.80	1.81	1.81	1.81	1.91	1.91	1.92	1.92	2.03	2.03	2.03	2.03
	14	TC	24298	24331	24358	24391	25759	25789	25820	25850	27298	27333	27369	27399	28943	28975	29011	29047
		S/T	0.32	0.37	0.43	0.49	0.34	0.40	0.45	0.51	0.36	0.42	0.48	0.55	0.38	0.45	0.51	0.58
		PI	1.74	1.74	1.74	1.74	1.84	1.84	1.85	1.85	1.95	1.95	1.96	1.96	2.07	2.07	2.07	2.08
	17	TC	24215	24248	24275	24308	25671	25701	25732	25762	27205	27240	27275	27306	28845	28876	28912	28948
		S/T	0.32	0.38	0.43	0.49	0.34	0.40	0.45	0.52	0.36	0.42	0.48	0.55	0.38	0.45	0.51	0.58
		PI	1.75	1.75	1.75	1.76	1.86	1.86	1.86	1.86	1.97	1.97	1.97	1.97	2.08	2.09	2.09	2.09
	23	TC	24105	24137	24164	24197	25553	25584	25614	25644	27080	27116	27151	27181	28713	28744	28780	28816
		S/T	0.32	0.38	0.43	0.49	0.34	0.40	0.45	0.52	0.36	0.42	0.48	0.55	0.38	0.45	0.51	0.58
		PI	1.76	1.76	1.76	1.76	1.86	1.87	1.87	1.87	1.98	1.98	1.98	1.98	2.09	2.10	2.10	2.10
	32	TC	23939	23971	23998	24030	25378	25408	25438	25468	26894	26929	26964	26994	28515	28546	28582	28618
		S/T	0.32	0.38	0.43	0.49	0.34	0.40	0.46	0.52	0.36	0.43	0.48	0.55	0.38	0.45	0.51	0.58
		PI	1.77	1.77	1.77	1.78	1.88	1.88	1.88	1.88	1.99	1.99	1.99	2.00	2.11	2.11	2.11	2.12
	41	TC	23718	23750	23776	23808	25143	25173	25203	25233	26646	26680	26715	26745	28252	28283	28318	28353
		S/T	0.32	0.38	0.43	0.49	0.34	0.40	0.46	0.52	0.36	0.43	0.49	0.55	0.39	0.45	0.51	0.59
		PI	1.79	1.79	1.79	1.79	1.89	1.90	1.90	1.90	2.01	2.01	2.01	2.01	2.13	2.13	2.13	2.14
	47	TC	23552	23584	23610	23642	24967	24997	25027	25056	26459	26494	26528	26558	28054	28085	28120	28155
		S/T	0.32	0.38	0.43	0.49	0.34	0.40	0.46	0.52	0.36	0.43	0.49	0.55	0.39	0.45	0.52	0.59
		PI	1.80	1.80	1.80	1.81	1.91	1.91	1.91	1.91	2.02	2.02	2.03	2.03	2.14	2.14	2.15	2.15
	50	TC	23532	23563	23590	23622	24946	24976	25005	25035	26437	26471	26506	26535	28031	28061	28096	28131
		S/T	0.33	0.38	0.43	0.50	0.35	0.41	0.46	0.52	0.37	0.43	0.49	0.56	0.39	0.46	0.52	0.59
		PI	1.80	1.81	1.81	1.81	1.91	1.91	1.92	1.92	2.03	2.03	2.03	2.03	2.15	2.15	2.15	2.16
	59	TC	23472	23503	23530	23561	24882	24912	24941	24971	26369	26404	26438	26467	27959	27989	28024	28059
		S/T	0.33	0.38	0.44	0.50	0.35	0.41	0.46	0.53	0.37	0.43	0.49	0.56	0.39	0.46	0.52	0.59
		PI	1.82	1.82	1.82	1.82	1.93	1.93	1.93	1.93	2.04	2.04	2.05	2.05	2.16	2.17	2.17	2.17
	68	TC	23412	23443	23469	23501	24819	24848	24878	24907	26302	26336	26370	26400	27887	27918	27953	27987
		S/T	0.33	0.39	0.44	0.50	0.35	0.41	0.47	0.53	0.37	0.43	0.49	0.56	0.39	0.46	0.52	0.60
		PI	1.83	1.83	1.83	1.84	1.94	1.94	1.94	1.95	2.06	2.06	2.06	2.06	2.18	2.18	2.18	2.19
	77	TC	23352	23383	23409	23441	24755	24784	24814	24843	26234	26269	26303	26332	27816	27846	27881	27916
		S/T	0.34	0.40	0.45	0.51	0.36	0.42	0.48	0.54	0.38	0.45	0.51	0.58	0.40	0.47	0.54	0.61
		PI	1.84	1.85	1.85	1.85	1.95	1.96	1.96	1.96	2.07	2.07	2.08	2.08	2.19	2.20	2.20	2.20
	86	TC	20214	20241	20264	20291	21429	21454	21480	21505	22709	22739	22768	22794	24078	24104	24134	24164
		S/T	0.34	0.40	0.46	0.52	0.36	0.43	0.48	0.55	0.38	0.45	0.51	0.58	0.41	0.48	0.54	0.62
		PI	2.00	2.00	2.00	2.00	2.12	2.12	2.12	2.12	2.24	2.25	2.25	2.25	2.38	2.38	2.38	2.39
	95	TC	19444	19470	19492	19518	20612	20637	20661	20686	21844	21872	21901	21925	23161	23186	23215	23244
		S/T	0.35	0.41	0.47	0.53	0.37	0.44	0.50	0.57	0.39	0.46	0.53	0.60	0.42	0.49	0.56	0.64
		PI	2.04	2.04	2.05	2.05	2.16	2.17	2.17	2.17	2.29	2.30	2.30	2.30	2.43	2.43	2.44	2.44
104	TC	16828	16851	16870	16892	17840	17861	17882	17903	18906	18930	18955	18976	20045	20067	20092	20117	
	S/T	0.37	0.43	0.49	0.56	0.39	0.46	0.52	0.59	0.41	0.49	0.55	0.63	0.44	0.52	0.59	0.67	
	PI	4.39	4.40	4.40	4.41	4.66	4.66	4.67	4.67	4.94	4.94	4.95	4.95	5.23	5.24	5.25	5.25	
114.8	TC	13690	13708	13723	13742	14512	14530	14547	14564	15380	15400	15420	15437	16307	16325	16345	16365	
	S/T	0.37	0.44	0.50	0.57	0.40	0.46	0.53	0.60	0.42	0.49	0.56	0.64	0.44	0.52	0.59	0.68	
	PI	7.22	7.23	7.23	7.24	7.65	7.66	7.67	7.68	8.11	8.12	8.13	8.14	8.60	8.61	8.62	8.63	
122	TC	11597	11613	11626	11642	12294	12309	12324	12338	13029	13046	13063	13078	13815	13830	13847	13864	
	S/T	0.39	0.45	0.51	0.59	0.41	0.48	0.55	0.62	0.43	0.51	0.58	0.66	0.46	0.54	0.61	0.70	
	PI	9.10	9.11	9.12	9.13	9.64	9.66	9.67	9.68	10.22	10.23	10.25	10.26	10.84	10.85	10.86	10.88	

Manufacturer reserves the right to change, at any time, specifications and designs without notice and without obligations.

COOLING PERFORMANCE DUCTED

COOLING PERFORMANCE 36HH (HIGH HEAT)

DUCTED COOLING PERFORMANCE 36HH (Sheet 1 of 4)

AIRFLOW (CFM)	OUTDOOR DB (°F)	ID WB (°F) ID DB (°F)	60.8				64.4				66.2				71.6			
			73.4	77.0	80.6	84.2	73.4	77.0	80.6	84.2	73.4	77.0	80.0	84.20	73.4	77.0	80.6	84.2
500	-22	TC	18807	18832	18853	18878	19937	19960	19984	20008	21128	21156	21183	21207	22402	22426	22454	22482
		S/T	0.21	0.24	0.27	0.31	0.22	0.26	0.29	0.33	0.23	0.27	0.31	0.35	0.24	0.29	0.33	0.37
		PI	1.19	1.19	1.19	1.19	1.26	1.26	1.26	1.27	1.34	1.34	1.34	1.34	1.42	1.42	1.42	1.42
	-10	TC	18566	18591	18612	18637	19682	19705	19729	19752	20858	20885	20912	20936	22116	22140	22167	22195
		S/T	0.21	0.24	0.28	0.31	0.22	0.26	0.29	0.33	0.23	0.27	0.31	0.35	0.25	0.29	0.33	0.37
		PI	1.27	1.27	1.27	1.27	1.34	1.34	1.34	1.35	1.42	1.42	1.43	1.43	1.51	1.51	1.51	1.51
	0	TC	18366	18391	18411	18436	19470	19493	19516	19539	20633	20660	20687	20710	21877	21901	21928	21955
		S/T	0.21	0.24	0.28	0.32	0.22	0.26	0.29	0.34	0.23	0.27	0.31	0.36	0.25	0.29	0.33	0.38
		PI	1.33	1.33	1.33	1.33	1.41	1.41	1.41	1.41	1.49	1.49	1.50	1.50	1.58	1.58	1.59	1.59
	5	TC	18266	18290	18311	18336	19364	19387	19410	19433	20521	20547	20574	20597	21758	21781	21809	21836
		S/T	0.21	0.25	0.28	0.32	0.22	0.26	0.30	0.34	0.23	0.28	0.31	0.36	0.25	0.29	0.33	0.38
		PI	1.36	1.36	1.36	1.37	1.44	1.44	1.45	1.45	1.53	1.53	1.53	1.53	1.62	1.62	1.62	1.63
	14	TC	18086	18110	18130	18155	19173	19195	19218	19241	20318	20345	20371	20394	21543	21567	21593	21620
		S/T	0.21	0.25	0.28	0.32	0.22	0.26	0.30	0.34	0.24	0.28	0.31	0.36	0.25	0.29	0.33	0.38
		PI	1.42	1.42	1.42	1.42	1.50	1.50	1.51	1.51	1.59	1.59	1.60	1.60	1.69	1.69	1.69	1.69
	17	TC	18025	18050	18070	18094	19109	19131	19154	19177	20251	20277	20303	20326	21472	21495	21522	21548
		S/T	0.21	0.25	0.28	0.32	0.22	0.26	0.30	0.34	0.24	0.28	0.32	0.36	0.25	0.29	0.33	0.38
		PI	1.44	1.44	1.44	1.44	1.52	1.52	1.53	1.53	1.61	1.61	1.62	1.62	1.71	1.71	1.71	1.72
	23	TC	17905	17929	17949	17974	18981	19004	19026	19049	20116	20142	20168	20191	21328	21352	21378	21405
		S/T	0.21	0.25	0.28	0.32	0.22	0.26	0.30	0.34	0.24	0.28	0.32	0.36	0.25	0.29	0.33	0.38
		PI	1.46	1.46	1.46	1.47	1.55	1.55	1.55	1.55	1.64	1.64	1.65	1.65	1.74	1.74	1.74	1.75
	32	TC	17725	17749	17769	17793	18790	18813	18835	18857	19913	19939	19965	19987	21114	21137	21163	21189
		S/T	0.21	0.25	0.28	0.32	0.22	0.26	0.30	0.34	0.24	0.28	0.32	0.36	0.25	0.30	0.34	0.38
		PI	1.50	1.50	1.50	1.50	1.59	1.59	1.59	1.59	1.68	1.69	1.69	1.69	1.78	1.79	1.79	1.79
41	TC	17545	17568	17588	17612	18599	18621	18643	18665	19711	19736	19762	19784	20899	20922	20948	20974	
	S/T	0.21	0.25	0.28	0.32	0.23	0.26	0.30	0.34	0.24	0.28	0.32	0.36	0.25	0.30	0.34	0.39	
	PI	1.52	1.52	1.52	1.53	1.61	1.61	1.62	1.62	1.71	1.71	1.71	1.71	1.81	1.81	1.82	1.82	
47	TC	17425	17448	17468	17491	18472	18494	18516	18538	19576	19601	19627	19649	20756	20778	20804	20830	
	S/T	0.21	0.25	0.28	0.32	0.23	0.27	0.30	0.34	0.24	0.28	0.32	0.36	0.25	0.30	0.34	0.39	
	PI	1.53	1.53	1.53	1.54	1.62	1.62	1.63	1.63	1.72	1.72	1.72	1.73	1.82	1.82	1.83	1.83	
50	TC	17377	17401	17420	17444	18422	18444	18465	18487	19523	19548	19573	19595	20700	20722	20748	20774	
	S/T	0.21	0.25	0.29	0.33	0.23	0.27	0.30	0.35	0.24	0.28	0.32	0.37	0.26	0.30	0.34	0.39	
	PI	1.53	1.53	1.54	1.54	1.62	1.63	1.63	1.63	1.72	1.72	1.73	1.73	1.82	1.83	1.83	1.83	
59	TC	17236	17259	17278	17302	18272	18293	18315	18337	19364	19389	19414	19436	20531	20553	20579	20604	
	S/T	0.22	0.25	0.29	0.33	0.23	0.27	0.30	0.35	0.24	0.28	0.32	0.37	0.26	0.30	0.34	0.39	
	PI	1.54	1.54	1.54	1.54	1.63	1.63	1.63	1.63	1.73	1.73	1.73	1.73	1.83	1.83	1.83	1.84	
68	TC	17094	17117	17136	17159	18121	18143	18164	18186	19204	19229	19254	19276	20362	20384	20410	20435	
	S/T	0.22	0.25	0.29	0.33	0.23	0.27	0.31	0.35	0.24	0.29	0.32	0.37	0.26	0.30	0.34	0.39	
	PI	1.54	1.54	1.55	1.55	1.63	1.64	1.64	1.64	1.73	1.73	1.74	1.74	1.84	1.84	1.84	1.84	
77	TC	16952	16975	16994	17017	17971	17993	18014	18035	19045	19070	19095	19116	20193	20215	20240	20266	
	S/T	0.22	0.26	0.30	0.34	0.24	0.28	0.31	0.36	0.25	0.29	0.33	0.38	0.26	0.31	0.35	0.40	
	PI	1.55	1.55	1.55	1.55	1.64	1.64	1.64	1.65	1.74	1.74	1.74	1.74	1.84	1.84	1.85	1.85	
86	TC	15858	15879	15897	15918	16811	16831	16850	16870	17815	17838	17861	17881	18889	18910	18933	18957	
	S/T	0.22	0.26	0.30	0.34	0.24	0.28	0.32	0.36	0.25	0.30	0.34	0.38	0.27	0.31	0.36	0.41	
	PI	1.70	1.70	1.70	1.71	1.80	1.80	1.81	1.81	1.91	1.91	1.91	1.92	2.02	2.03	2.03	2.03	
95	TC	15496	15517	15534	15555	16427	16447	16466	16486	17409	17431	17454	17474	18458	18478	18501	18524	
	S/T	0.23	0.27	0.31	0.35	0.24	0.29	0.33	0.37	0.26	0.30	0.35	0.39	0.27	0.32	0.37	0.42	
	PI	1.74	1.74	1.74	1.74	1.84	1.84	1.85	1.85	1.95	1.95	1.96	1.96	2.07	2.07	2.07	2.08	
104	TC	13697	13716	13731	13749	14520	14538	14555	14572	15388	15408	15428	15445	16316	16333	16354	16374	
	S/T	0.24	0.28	0.32	0.37	0.26	0.30	0.34	0.39	0.27	0.32	0.36	0.41	0.29	0.34	0.38	0.44	
	PI	3.87	3.88	3.88	3.89	4.11	4.11	4.12	4.12	4.35	4.36	4.36	4.37	4.61	4.62	4.63	4.63	
114.8	TC	11539	11554	11567	11583	12232	12247	12261	12276	12963	12980	12997	13011	13744	13759	13777	13794	
	S/T	0.25	0.29	0.33	0.37	0.26	0.30	0.35	0.39	0.28	0.32	0.37	0.42	0.29	0.34	0.39	0.44	
	PI	6.44	6.45	6.45	6.46	6.82	6.83	6.84	6.85	7.23	7.24	7.25	7.26	7.67	7.68	7.69	7.70	
122	TC	10100	10113	10124	10138	10707	10719	10732	10745	11346	11361	11376	11389	12030	12043	12058	12073	
	S/T	0.25	0.30	0.34	0.39	0.27	0.32	0.36	0.41	0.29	0.33	0.38	0.43	0.30	0.35	0.40	0.46	
	PI	8.15	8.16	8.17	8.18	8.64	8.65	8.66	8.67	9.15	9.16	9.18	9.19	9.70	9.71	9.73	9.74	

DUCTED COOLING PERFORMANCE 36HH (Sheet 3 of 4)

AIRFLOW (CFM)	OUTDOOR DB (°F)	ID WB (°F) ID DB (°F)	60.8				64.4				66.2				71.6			
			73.4	77.0	80.6	84.2	73.4	77.0	80.6	84.2	73.4	77.0	80.0	84.20	73.4	77.0	80.6	84.2
			TC	S/T	PI	TC	S/T	PI	TC	S/T	PI	TC	S/T	PI	TC	S/T	PI	TC
1260	-22	TC	46459	46521	46573	46636	49251	49309	49368	49426	52194	52262	52330	52388	55341	55401	55470	55539
		S/T	0.48	0.56	0.63	0.72	0.50	0.59	0.67	0.77	0.53	0.63	0.71	0.81	0.57	0.67	0.76	0.86
		PI	2.74	2.74	2.75	2.75	2.91	2.91	2.91	2.92	3.08	3.08	3.09	3.09	3.26	3.27	3.27	3.28
	-10	TC	45865	45927	45978	46040	48622	48679	48737	48795	51527	51594	51661	51719	54633	54693	54761	54829
		S/T	0.48	0.56	0.64	0.73	0.51	0.60	0.68	0.77	0.54	0.63	0.72	0.82	0.57	0.67	0.76	0.87
		PI	2.91	2.92	2.92	2.93	3.09	3.09	3.10	3.10	3.27	3.28	3.28	3.29	3.47	3.48	3.48	3.48
	0	TC	45370	45431	45482	45544	48097	48154	48211	48268	50971	51037	51104	51161	54044	54103	54170	54237
		S/T	0.48	0.57	0.64	0.73	0.51	0.60	0.68	0.78	0.54	0.64	0.72	0.82	0.57	0.67	0.77	0.87
		PI	3.06	3.06	3.07	3.07	3.24	3.25	3.25	3.26	3.44	3.44	3.45	3.45	3.64	3.65	3.65	3.66
	5	TC	45123	45184	45234	45295	47835	47891	47948	48005	50693	50759	50825	50882	53749	53808	53875	53942
		S/T	0.48	0.57	0.64	0.73	0.51	0.60	0.68	0.78	0.54	0.64	0.72	0.83	0.58	0.68	0.77	0.88
		PI	3.13	3.14	3.14	3.14	3.32	3.32	3.33	3.33	3.52	3.52	3.53	3.53	3.73	3.74	3.74	3.74
	14	TC	44678	44738	44788	44848	47363	47419	47475	47531	50193	50258	50324	50380	53219	53277	53343	53409
		S/T	0.49	0.57	0.65	0.74	0.51	0.60	0.69	0.78	0.55	0.64	0.73	0.83	0.58	0.68	0.77	0.88
		PI	3.26	3.27	3.27	3.28	3.46	3.46	3.47	3.47	3.67	3.67	3.68	3.68	3.89	3.89	3.90	3.90
	17	TC	44529	44589	44639	44699	47205	47261	47317	47374	50026	50091	50156	50212	53042	53100	53166	53232
		S/T	0.49	0.57	0.65	0.74	0.52	0.61	0.69	0.78	0.55	0.64	0.73	0.83	0.58	0.68	0.77	0.88
		PI	3.31	3.31	3.31	3.32	3.50	3.51	3.51	3.52	3.71	3.72	3.72	3.73	3.94	3.94	3.95	3.95
	23	TC	44232	44292	44341	44401	46891	46946	47002	47058	49693	49757	49822	49878	52688	52746	52811	52877
		S/T	0.49	0.57	0.65	0.74	0.52	0.61	0.69	0.79	0.55	0.64	0.73	0.83	0.58	0.68	0.78	0.88
		PI	3.36	3.37	3.37	3.38	3.57	3.57	3.57	3.58	3.78	3.78	3.79	3.79	4.01	4.01	4.02	4.02
	32	TC	43787	43846	43895	43954	46419	46474	46529	46584	49192	49256	49320	49376	52158	52215	52280	52345
		S/T	0.49	0.58	0.65	0.75	0.52	0.61	0.69	0.79	0.55	0.65	0.74	0.84	0.58	0.69	0.78	0.89
		PI	3.45	3.46	3.46	3.46	3.66	3.66	3.67	3.67	3.88	3.88	3.89	3.89	4.11	4.12	4.12	4.13
	41	TC	43342	43400	43449	43507	45947	46001	46056	46110	48692	48755	48819	48873	51628	51684	51748	51812
		S/T	0.49	0.58	0.66	0.75	0.52	0.61	0.70	0.79	0.55	0.65	0.74	0.84	0.59	0.69	0.78	0.89
		PI	3.50	3.51	3.51	3.52	3.71	3.72	3.72	3.73	3.93	3.94	3.94	3.95	4.17	4.18	4.18	4.19
	47	TC	43045	43103	43151	43209	45632	45686	45740	45794	48359	48422	48485	48539	51274	51330	51394	51458
		S/T	0.49	0.58	0.66	0.75	0.52	0.61	0.70	0.80	0.56	0.65	0.74	0.84	0.59	0.69	0.78	0.89
		PI	3.52	3.53	3.53	3.54	3.74	3.74	3.74	3.75	3.96	3.96	3.97	3.97	4.20	4.20	4.21	4.21
	50	TC	42928	42986	43034	43092	45508	45562	45616	45670	48228	48290	48353	48407	51135	51191	51254	51318
		S/T	0.50	0.58	0.66	0.75	0.53	0.62	0.70	0.80	0.56	0.65	0.74	0.85	0.59	0.69	0.79	0.90
		PI	3.53	3.53	3.54	3.54	3.74	3.74	3.75	3.75	3.96	3.97	3.97	3.98	4.20	4.21	4.21	4.22
	59	TC	42578	42635	42683	42741	45137	45191	45244	45298	47835	47897	47959	48013	50718	50773	50837	50900
		S/T	0.50	0.58	0.66	0.76	0.53	0.62	0.70	0.80	0.56	0.66	0.75	0.85	0.59	0.70	0.79	0.90
		PI	3.54	3.54	3.55	3.55	3.75	3.76	3.76	3.77	3.98	3.98	3.99	3.99	4.22	4.22	4.23	4.23
	68	TC	42228	42285	42333	42390	44766	44819	44872	44926	47441	47503	47565	47618	50301	50356	50419	50482
		S/T	0.50	0.59	0.67	0.76	0.53	0.62	0.71	0.81	0.56	0.66	0.75	0.86	0.60	0.70	0.80	0.91
		PI	3.55	3.56	3.56	3.56	3.76	3.77	3.77	3.78	3.99	3.99	4.00	4.00	4.23	4.23	4.24	4.25
	77	TC	41878	41935	41982	42038	44395	44448	44501	44553	47048	47109	47171	47223	49885	49939	50001	50063
		S/T	0.51	0.60	0.69	0.78	0.54	0.64	0.73	0.83	0.58	0.68	0.77	0.88	0.61	0.72	0.82	0.93
		PI	3.56	3.57	3.57	3.58	3.78	3.78	3.79	3.79	4.00	4.01	4.01	4.02	4.24	4.25	4.25	4.26
	86	TC	39174	39226	39270	39323	41528	41577	41626	41676	44010	44067	44124	44173	46663	46713	46771	46830
		S/T	0.52	0.61	0.69	0.79	0.55	0.65	0.74	0.84	0.59	0.69	0.78	0.89	0.62	0.73	0.83	0.94
		PI	3.91	3.92	3.92	3.93	4.15	4.15	4.16	4.16	4.40	4.40	4.41	4.41	4.66	4.67	4.67	4.68
	95	TC	38280	38332	38375	38426	40581	40629	40677	40725	43006	43062	43118	43166	45598	45648	45705	45762
		S/T	0.53	0.63	0.71	0.81	0.57	0.66	0.75	0.86	0.60	0.70	0.80	0.91	0.64	0.75	0.85	0.97
		PI	4.00	4.01	4.01	4.02	4.24	4.25	4.25	4.26	4.50	4.50	4.51	4.51	4.77	4.77	4.78	4.78
	104	TC	33837	33882	33920	33966	35870	35913	35955	35998	38014	38063	38113	38155	40305	40349	40399	40450
		S/T	0.56	0.66	0.75	0.85	0.59	0.70	0.79	0.90	0.63	0.74	0.84	0.96	0.67	0.78	0.89	1.02
PI		8.92	8.93	8.94	8.96	9.46	9.47	9.48	9.49	10.02	10.04	10.05	10.06	10.63	10.64	10.65	10.67	
114.8	TC	28504	28543	28575	28613	30217	30253	30289	30325	32023	32065	32106	32142	33954	33990	34033	34075	
	S/T	0.57	0.67	0.76	0.86	0.60	0.71	0.80	0.91	0.64	0.75	0.85	0.97	0.68	0.79	0.90	1.03	
	PI	14.83	14.85	14.86	14.88	15.72	15.74	15.75	15.77	16.66	16.68	16.70	16.72	17.66	17.68	17.70	17.72	
122	TC	24949	24983	25011	25045	26449	26480	26512	26543	28029	28066	28102	28134	29719	29751	29788	29825	
	S/T	0.59	0.69	0.78	0.89	0.62	0.73	0.83	0.95	0.66	0.77	0.88	1.00	0.70	0.82	0.93	1.06	
	PI	18.76	18.79	18.81	18.83	19.89	19.91	19.94	19.96	21.08	21.11	21.13	21.16	22.35	22.37	22.40	22.43	

DUCTED COOLING PERFORMANCE 36HH (Sheet 4 of 4)

AIRFLOW (CFM)	OUTDOOR DB (°F)	ID WB (°F) ID DB (°F)	60.8				64.4				66.2				71.6			
			73.4	77.0	80.6	84.2	73.4	77.0	80.6	84.2	73.4	77.0	80.0	84.20	73.4	77.0	80.6	84.2
1280	-22	TC	46729	46792	46844	46907	49537	49596	49655	49714	52498	52566	52634	52693	55662	55723	55792	55862
		S/T	0.48	0.56	0.64	0.73	0.51	0.60	0.68	0.77	0.54	0.63	0.72	0.82	0.57	0.67	0.76	0.87
		PI	2.76	2.76	2.76	2.77	2.92	2.93	2.93	2.93	3.10	3.10	3.10	3.11	3.28	3.29	3.29	3.30
	-10	TC	46132	46194	46246	46308	48904	48962	49020	49078	51827	51894	51961	52019	54951	55011	55079	55148
		S/T	0.48	0.57	0.64	0.73	0.51	0.60	0.68	0.78	0.54	0.64	0.72	0.82	0.57	0.67	0.77	0.87
		PI	2.93	2.94	2.94	2.94	3.11	3.11	3.12	3.12	3.29	3.30	3.30	3.31	3.49	3.50	3.50	3.50
	0	TC	45634	45695	45747	45808	48377	48434	48491	48549	51268	51334	51401	51458	54358	54417	54485	54553
		S/T	0.48	0.57	0.65	0.74	0.51	0.60	0.69	0.78	0.54	0.64	0.73	0.83	0.58	0.68	0.77	0.88
		PI	3.08	3.08	3.09	3.09	3.26	3.27	3.27	3.27	3.46	3.46	3.47	3.47	3.67	3.67	3.67	3.68
	5	TC	45385	45446	45497	45559	48113	48170	48227	48284	50988	51054	51121	51178	54062	54121	54188	54255
		S/T	0.49	0.57	0.65	0.74	0.52	0.60	0.69	0.78	0.55	0.64	0.73	0.83	0.58	0.68	0.77	0.88
		PI	3.15	3.15	3.16	3.16	3.34	3.34	3.35	3.35	3.54	3.54	3.55	3.55	3.75	3.76	3.76	3.77
	14	TC	44937	44998	45048	45109	47638	47695	47751	47808	50485	50550	50616	50673	53528	53587	53653	53720
		S/T	0.49	0.57	0.65	0.74	0.52	0.61	0.69	0.79	0.55	0.64	0.73	0.83	0.58	0.68	0.78	0.88
		PI	3.28	3.29	3.29	3.29	3.48	3.48	3.49	3.49	3.69	3.69	3.70	3.70	3.91	3.91	3.92	3.92
	17	TC	44788	44848	44899	44959	47480	47536	47593	47649	50317	50383	50448	50504	53350	53408	53475	53542
		S/T	0.49	0.57	0.65	0.74	0.52	0.61	0.69	0.79	0.55	0.65	0.73	0.84	0.58	0.68	0.78	0.89
		PI	3.33	3.33	3.33	3.34	3.53	3.53	3.53	3.54	3.74	3.74	3.75	3.75	3.96	3.97	3.97	3.98
	23	TC	44489	44549	44599	44659	47163	47219	47275	47331	49982	50047	50112	50168	52995	53052	53118	53185
		S/T	0.49	0.58	0.65	0.75	0.52	0.61	0.69	0.79	0.55	0.65	0.74	0.84	0.58	0.69	0.78	0.89
		PI	3.38	3.39	3.39	3.40	3.59	3.59	3.60	3.60	3.80	3.81	3.81	3.82	4.03	4.04	4.04	4.05
	32	TC	44042	44101	44150	44210	46689	46744	46799	46855	49479	49543	49607	49663	52461	52518	52584	52649
		S/T	0.49	0.58	0.66	0.75	0.52	0.61	0.70	0.80	0.55	0.65	0.74	0.84	0.59	0.69	0.78	0.89
		PI	3.47	3.48	3.48	3.48	3.68	3.68	3.69	3.69	3.90	3.90	3.91	3.91	4.13	4.14	4.14	4.15
	41	TC	43594	43652	43701	43760	46214	46269	46323	46378	48975	49039	49103	49158	51928	51984	52049	52114
		S/T	0.50	0.58	0.66	0.75	0.53	0.62	0.70	0.80	0.56	0.65	0.74	0.85	0.59	0.69	0.79	0.90
		PI	3.52	3.53	3.53	3.54	3.73	3.74	3.74	3.75	3.96	3.96	3.97	3.97	4.20	4.20	4.21	4.21
	47	TC	43295	43353	43402	43460	45897	45952	46006	46061	48640	48703	48766	48821	51572	51628	51692	51757
		S/T	0.50	0.58	0.66	0.76	0.53	0.62	0.70	0.80	0.56	0.66	0.74	0.85	0.59	0.69	0.79	0.90
		PI	3.54	3.55	3.55	3.56	3.76	3.76	3.77	3.77	3.98	3.99	3.99	4.00	4.22	4.23	4.23	4.24
	50	TC	43178	43236	43284	43343	45773	45827	45881	45936	48508	48571	48634	48689	51432	51488	51552	51617
		S/T	0.50	0.58	0.66	0.76	0.53	0.62	0.70	0.80	0.56	0.66	0.75	0.85	0.59	0.70	0.79	0.90
		PI	3.55	3.55	3.56	3.56	3.76	3.77	3.77	3.77	3.99	3.99	4.00	4.00	4.23	4.23	4.24	4.24
	59	TC	42826	42883	42932	42989	45400	45454	45507	45561	48113	48175	48238	48292	51013	51069	51132	51196
		S/T	0.50	0.59	0.67	0.76	0.53	0.62	0.71	0.81	0.56	0.66	0.75	0.86	0.60	0.70	0.80	0.91
		PI	3.56	3.56	3.57	3.57	3.77	3.78	3.78	3.79	4.00	4.00	4.01	4.01	4.24	4.25	4.25	4.26
	68	TC	42474	42531	42579	42636	45027	45080	45133	45187	47717	47779	47841	47895	50594	50649	50712	50775
		S/T	0.50	0.59	0.67	0.77	0.53	0.63	0.71	0.81	0.57	0.66	0.75	0.86	0.60	0.70	0.80	0.91
		PI	3.57	3.58	3.58	3.59	3.79	3.79	3.80	3.80	4.01	4.02	4.02	4.03	4.25	4.26	4.26	4.27
	77	TC	42122	42179	42226	42283	44654	44706	44759	44813	47322	47383	47445	47498	50175	50229	50292	50354
		S/T	0.52	0.61	0.69	0.79	0.55	0.64	0.73	0.83	0.58	0.68	0.77	0.88	0.62	0.72	0.82	0.94
		PI	3.58	3.59	3.59	3.60	3.80	3.80	3.81	3.81	4.03	4.03	4.04	4.04	4.27	4.27	4.28	4.28
	86	TC	39401	39454	39499	39552	41769	41819	41869	41918	44265	44323	44381	44430	46934	46985	47043	47102
		S/T	0.52	0.61	0.70	0.80	0.56	0.65	0.74	0.84	0.59	0.69	0.78	0.89	0.62	0.73	0.83	0.95
		PI	3.94	3.94	3.94	3.95	4.17	4.18	4.18	4.19	4.42	4.43	4.43	4.44	4.69	4.69	4.70	4.70
	95	TC	38503	38555	38598	38650	40817	40865	40914	40962	43256	43312	43369	43417	45864	45914	45971	46028
		S/T	0.54	0.63	0.72	0.82	0.57	0.67	0.76	0.87	0.60	0.71	0.80	0.92	0.64	0.75	0.85	0.97
		PI	4.03	4.03	4.04	4.04	4.27	4.27	4.28	4.28	4.52	4.53	4.53	4.54	4.80	4.80	4.81	4.81
104	TC	34033	34079	34117	34163	36079	36122	36164	36207	38235	38284	38334	38377	40540	40584	40634	40685	
	S/T	0.56	0.66	0.75	0.86	0.60	0.70	0.80	0.91	0.63	0.74	0.84	0.96	0.67	0.79	0.90	1.02	
	PI	8.97	8.99	9.00	9.01	9.51	9.52	9.54	9.55	10.08	10.10	10.11	10.12	10.69	10.70	10.71	10.73	
114.8	TC	28670	28708	28741	28779	30393	30429	30465	30501	32209	32251	32293	32329	34151	34188	34231	34273	
	S/T	0.57	0.67	0.76	0.87	0.60	0.71	0.81	0.92	0.64	0.75	0.85	0.97	0.68	0.80	0.91	1.03	
	PI	14.91	14.93	14.95	14.97	15.81	15.83	15.85	15.87	16.75	16.78	16.80	16.82	17.76	17.78	17.81	17.83	
122	TC	25094	25128	25156	25190	26603	26634	26666	26697	28192	28229	28266	28297	29892	29924	29962	29999	
	S/T	0.59	0.69	0.79	0.90	0.63	0.73	0.84	0.95	0.66	0.78	0.89	1.01	0.70	0.83	0.94	1.07	
	PI	18.87	18.90	18.92	18.94	20.01	20.03	20.05	20.08	21.20	21.23	21.26	21.28	22.48	22.50	22.53	22.56	

NOTE: Data highlighted in gray is extrapolated data and not actual test data. At 77°F outdoor conditions sweat protection activates causing a decrease in total capacity.

LEGEND
 TC - Total Net Capacity (Btu/hour)
 S/T: Sensible Cooling Capacity Ratio
 PI: Power Input (kW)
 Extrapolated Data

COOLING PERFORMANCE DUCTED

COOLING PERFORMANCE 48R (STANDARD)

DUCTED COOLING PERFORMANCE 48R (Sheet 1 of 4)

AIRFLOW (CFM)	OUTDOOR DB (°F)	ID WB (°F) ID DB (°F)	60.8				64.4				66.2				71.6			
			73.4	77.0	80.6	84.2	73.4	77.0	80.6	84.2	73.4	77.0	80.0	84.20	73.4	77.0	80.6	84.2
			625	-22	TC	20489	20516	20540	20567	21720	21746	21772	21798	23018	23048	23078	23104	24406
S/T	0.21	0.24			0.27	0.31	0.22	0.26	0.29	0.33	0.23	0.27	0.31	0.35	0.24	0.29	0.33	0.37
PI	1.43	1.43			1.43	1.43	1.51	1.51	1.52	1.52	1.60	1.60	1.61	1.61	1.70	1.70	1.70	1.70
-10	TC	20249		20276	20299	20326	21466	21491	21516	21542	22748	22778	22807	22833	24120	24146	24176	24206
	S/T	0.21		0.24	0.28	0.31	0.22	0.26	0.29	0.33	0.23	0.27	0.31	0.35	0.25	0.29	0.33	0.37
	PI	1.46		1.47	1.47	1.47	1.55	1.55	1.56	1.56	1.64	1.65	1.65	1.65	1.74	1.75	1.75	1.75
0	TC	20048		20075	20098	20125	21253	21278	21304	21329	22523	22553	22582	22607	23881	23907	23937	23967
	S/T	0.21		0.24	0.28	0.32	0.22	0.26	0.29	0.34	0.23	0.27	0.31	0.36	0.25	0.29	0.33	0.38
	PI	1.50		1.50	1.50	1.50	1.59	1.59	1.59	1.59	1.68	1.68	1.68	1.69	1.78	1.78	1.79	1.79
5	TC	19948		19975	19997	20024	21147	21172	21197	21222	22411	22440	22469	22494	23762	23788	23817	23847
	S/T	0.21		0.25	0.28	0.32	0.22	0.26	0.30	0.34	0.23	0.28	0.31	0.36	0.25	0.29	0.33	0.38
	PI	1.51		1.51	1.51	1.52	1.60	1.60	1.61	1.61	1.70	1.70	1.70	1.70	1.80	1.80	1.80	1.81
14	TC	19768		19794	19817	19843	20956	20981	21006	21031	22208	22237	22266	22291	23547	23573	23602	23631
	S/T	0.21		0.25	0.28	0.32	0.22	0.26	0.30	0.34	0.24	0.28	0.31	0.36	0.25	0.29	0.33	0.38
	PI	1.54		1.54	1.54	1.55	1.63	1.63	1.64	1.64	1.73	1.73	1.73	1.74	1.83	1.84	1.84	1.84
17	TC	19708		19734	19756	19783	20892	20917	20942	20967	22141	22170	22198	22223	23476	23501	23530	23560
	S/T	0.21		0.25	0.28	0.32	0.22	0.26	0.30	0.34	0.24	0.28	0.32	0.36	0.25	0.29	0.33	0.38
	PI	1.55		1.55	1.55	1.55	1.64	1.64	1.65	1.65	1.74	1.74	1.74	1.75	1.84	1.85	1.85	1.85
23	TC	19628		19654	19676	19703	20807	20832	20857	20881	22051	22079	22108	22133	23380	23406	23435	23464
	S/T	0.21		0.25	0.28	0.32	0.22	0.26	0.30	0.34	0.24	0.28	0.32	0.36	0.25	0.29	0.33	0.38
	PI	1.56		1.56	1.57	1.57	1.66	1.66	1.66	1.66	1.75	1.76	1.76	1.76	1.86	1.86	1.86	1.87
32	TC	19508		19534	19556	19582	20680	20704	20729	20754	21916	21944	21973	21997	23237	23262	23291	23320
	S/T	0.21		0.25	0.28	0.32	0.22	0.26	0.30	0.34	0.24	0.28	0.32	0.36	0.25	0.30	0.34	0.38
	PI	1.58		1.58	1.58	1.59	1.68	1.68	1.68	1.68	1.78	1.78	1.78	1.78	1.88	1.88	1.89	1.89
41	TC	19347		19373	19395	19421	20510	20534	20559	20583	21736	21764	21792	21817	23046	23071	23100	23129
	S/T	0.21	0.25	0.28	0.32	0.23	0.26	0.30	0.34	0.24	0.28	0.32	0.36	0.25	0.30	0.34	0.39	
	PI	1.61	1.61	1.61	1.61	1.70	1.70	1.71	1.71	1.80	1.81	1.81	1.81	1.91	1.91	1.92	1.92	
47	TC	19227	19253	19275	19301	20383	20407	20431	20455	21601	21629	21657	21681	22903	22928	22956	22985	
	S/T	0.21	0.25	0.28	0.32	0.23	0.27	0.30	0.34	0.24	0.28	0.32	0.36	0.25	0.30	0.34	0.39	
	PI	1.62	1.63	1.63	1.63	1.72	1.72	1.73	1.73	1.82	1.83	1.83	1.83	1.93	1.94	1.94	1.94	
50	TC	19208	19234	19256	19282	20363	20387	20411	20435	21579	21607	21636	21660	22880	22905	22934	22962	
	S/T	0.21	0.25	0.29	0.33	0.23	0.27	0.30	0.35	0.24	0.28	0.32	0.37	0.26	0.30	0.34	0.39	
	PI	1.63	1.63	1.64	1.64	1.73	1.73	1.73	1.74	1.83	1.83	1.84	1.84	1.94	1.95	1.95	1.95	
59	TC	19151	19177	19199	19224	20302	20326	20350	20375	21515	21543	21571	21596	22813	22837	22866	22894	
	S/T	0.22	0.25	0.29	0.33	0.23	0.27	0.30	0.35	0.24	0.28	0.32	0.37	0.26	0.30	0.34	0.39	
	PI	1.65	1.65	1.66	1.66	1.75	1.75	1.76	1.76	1.86	1.86	1.86	1.86	1.97	1.97	1.97	1.97	
68	TC	19094	19120	19141	19167	20242	20266	20290	20314	21452	21479	21507	21531	22745	22769	22798	22826	
	S/T	0.22	0.25	0.29	0.33	0.23	0.27	0.31	0.35	0.24	0.29	0.32	0.37	0.26	0.30	0.34	0.39	
	PI	1.67	1.67	1.68	1.68	1.77	1.77	1.78	1.78	1.88	1.88	1.88	1.89	1.99	1.99	2.00	2.00	
77	TC	19037	19063	19084	19110	20182	20206	20229	20253	21388	21415	21443	21467	22677	22702	22730	22758	
	S/T	0.22	0.26	0.30	0.34	0.24	0.28	0.31	0.36	0.25	0.29	0.33	0.38	0.26	0.31	0.35	0.40	
	PI	1.69	1.70	1.70	1.70	1.79	1.79	1.80	1.80	1.90	1.90	1.91	1.91	2.02	2.02	2.02	2.02	
86	TC	17913	17937	17957	17981	18990	19012	19035	19057	20124	20150	20177	20199	21337	21361	21387	21414	
	S/T	0.22	0.26	0.30	0.34	0.24	0.28	0.32	0.36	0.25	0.30	0.34	0.38	0.27	0.31	0.36	0.41	
	PI	1.81	1.81	1.81	1.82	1.92	1.92	1.92	1.92	2.03	2.03	2.04	2.04	2.15	2.16	2.16	2.16	
95	TC	17610	17633	17653	17677	18668	18690	18712	18735	19784	19809	19835	19857	20976	20999	21025	21051	
	S/T	0.23	0.27	0.31	0.35	0.24	0.29	0.33	0.37	0.26	0.30	0.35	0.39	0.27	0.32	0.37	0.42	
	PI	1.85	1.85	1.86	1.86	1.96	1.96	1.97	1.97	2.08	2.08	2.08	2.09	2.20	2.21	2.21	2.21	
104	TC	15616	15637	15655	15676	16555	16575	16594	16614	17544	17567	17590	17609	18602	18622	18645	18668	
	S/T	0.24	0.28	0.32	0.37	0.26	0.30	0.34	0.39	0.27	0.32	0.36	0.41	0.29	0.34	0.38	0.44	
	PI	3.59	3.60	3.60	3.61	3.81	3.81	3.82	3.82	4.04	4.04	4.05	4.05	4.28	4.29	4.29	4.30	
114.8	TC	13224	13242	13257	13275	14019	14036	14052	14069	14857	14876	14896	14912	15753	15770	15789	15809	
	S/T	0.25	0.29	0.33	0.37	0.26	0.30	0.35	0.39	0.28	0.32	0.37	0.42	0.29	0.34	0.39	0.44	
	PI	5.69	5.69	5.70	5.71	6.03	6.03	6.04	6.05	6.39	6.40	6.40	6.41	6.77	6.78	6.79	6.80	
122	TC	11630	11645	11658	11674	12329	12343	12358	12373	13065	13082	13099	13114	13853	13868	13885	13903	
	S/T	0.25	0.30	0.34	0.39	0.27	0.32	0.36	0.41	0.29	0.33	0.38	0.43	0.30	0.35	0.40	0.46	
	PI	7.08	7.09	7.10	7.11	7.51	7.52	7.52	7.53	7.95	7.97	7.98	7.98	8.43	8.44	8.45	8.46	

DUCTED COOLING PERFORMANCE 48R (Sheet 2 of 4)

AIRFLOW (CFM)	OUTDOOR DB (°F)	ID WB (°F) ID DB (°F)	60.8				64.4				66.2				71.6			
			73.4	77.0	80.6	84.2	73.4	77.0	80.6	84.2	73.4	77.0	80.0	84.20	73.4	77.0	80.6	84.2
			TC	S/T	PI	TC	S/T	PI	TC	S/T	PI	TC	S/T	PI	TC	S/T	PI	TC
1025	-22	TC	33269	33314	33351	33396	35269	35310	35352	35394	37376	37425	37473	37515	39629	39673	39722	39771
		S/T	0.31	0.37	0.42	0.48	0.33	0.39	0.44	0.50	0.35	0.41	0.47	0.53	0.37	0.44	0.50	0.57
		PI	2.16	2.16	2.16	2.17	2.29	2.29	2.29	2.30	2.43	2.43	2.43	2.43	2.57	2.57	2.58	2.58
	-10	TC	32879	32923	32960	33004	34855	34896	34938	34979	36938	36986	37034	37075	39165	39207	39256	39305
		S/T	0.32	0.37	0.42	0.48	0.33	0.39	0.45	0.51	0.35	0.42	0.47	0.54	0.38	0.44	0.50	0.57
		PI	2.22	2.22	2.22	2.22	2.35	2.35	2.35	2.36	2.49	2.49	2.50	2.50	2.64	2.64	2.65	2.65
	0	TC	32554	32597	32634	32678	34510	34551	34592	34633	36572	36620	36668	36709	38777	38819	38868	38916
		S/T	0.32	0.37	0.42	0.48	0.34	0.39	0.45	0.51	0.36	0.42	0.47	0.54	0.38	0.44	0.50	0.57
		PI	2.26	2.27	2.27	2.27	2.40	2.40	2.41	2.41	2.54	2.55	2.55	2.55	2.70	2.70	2.70	2.71
	5	TC	32391	32435	32471	32515	34338	34379	34419	34460	36390	36437	36484	36525	38584	38625	38674	38722
		S/T	0.32	0.37	0.42	0.48	0.34	0.40	0.45	0.51	0.36	0.42	0.48	0.54	0.38	0.44	0.50	0.58
		PI	2.29	2.29	2.29	2.30	2.43	2.43	2.43	2.43	2.57	2.57	2.58	2.58	2.72	2.72	2.73	2.73
	14	TC	32098	32142	32178	32221	34028	34068	34108	34149	36061	36108	36155	36195	38235	38276	38324	38372
		S/T	0.32	0.37	0.43	0.49	0.34	0.40	0.45	0.51	0.36	0.42	0.48	0.55	0.38	0.45	0.51	0.58
		PI	2.33	2.33	2.34	2.34	2.47	2.47	2.48	2.48	2.62	2.62	2.62	2.63	2.78	2.78	2.78	2.79
	17	TC	32001	32044	32080	32123	33924	33964	34005	34045	35951	35998	36045	36085	38119	38160	38208	38255
		S/T	0.32	0.38	0.43	0.49	0.34	0.40	0.45	0.52	0.36	0.42	0.48	0.55	0.38	0.45	0.51	0.58
		PI	2.34	2.35	2.35	2.35	2.49	2.49	2.49	2.49	2.63	2.64	2.64	2.64	2.79	2.80	2.80	2.80
	23	TC	31871	31914	31949	31992	33786	33826	33866	33907	35805	35852	35898	35938	37964	38005	38052	38100
		S/T	0.32	0.38	0.43	0.49	0.34	0.40	0.45	0.52	0.36	0.42	0.48	0.55	0.38	0.45	0.51	0.58
		PI	2.36	2.37	2.37	2.37	2.51	2.51	2.51	2.51	2.66	2.66	2.66	2.67	2.82	2.82	2.82	2.83
	32	TC	31676	31718	31754	31797	33579	33619	33659	33699	35586	35632	35679	35718	37731	37772	37819	37866
		S/T	0.32	0.38	0.43	0.49	0.34	0.40	0.46	0.52	0.36	0.43	0.48	0.55	0.38	0.45	0.51	0.58
		PI	2.39	2.40	2.40	2.40	2.54	2.54	2.54	2.55	2.69	2.69	2.69	2.70	2.85	2.85	2.86	2.86
	41	TC	31415	31458	31493	31535	33304	33343	33383	33422	35294	35340	35386	35425	37421	37462	37509	37555
		S/T	0.32	0.38	0.43	0.49	0.34	0.40	0.46	0.52	0.36	0.43	0.49	0.55	0.39	0.45	0.51	0.59
		PI	2.43	2.43	2.44	2.44	2.58	2.58	2.58	2.59	2.73	2.73	2.74	2.74	2.90	2.90	2.90	2.91
	47	TC	31220	31262	31297	31340	33097	33136	33175	33215	35075	35120	35166	35205	37189	37229	37276	37322
		S/T	0.32	0.38	0.43	0.49	0.34	0.40	0.46	0.52	0.36	0.43	0.49	0.55	0.39	0.45	0.52	0.59
		PI	2.46	2.46	2.47	2.47	2.61	2.61	2.61	2.62	2.76	2.77	2.77	2.77	2.93	2.93	2.94	2.94
	50	TC	31190	31231	31266	31309	33064	33103	33142	33182	35040	35085	35131	35170	37152	37193	37239	37285
		S/T	0.33	0.38	0.43	0.50	0.35	0.41	0.46	0.52	0.37	0.43	0.49	0.56	0.39	0.46	0.52	0.59
		PI	2.47	2.47	2.48	2.48	2.62	2.62	2.62	2.63	2.77	2.78	2.78	2.78	2.94	2.94	2.95	2.95
	59	TC	31097	31139	31174	31216	32966	33005	33044	33083	34936	34981	35027	35066	37042	37082	37129	37175
		S/T	0.33	0.38	0.44	0.50	0.35	0.41	0.46	0.53	0.37	0.43	0.49	0.56	0.39	0.46	0.52	0.59
		PI	2.50	2.50	2.51	2.51	2.65	2.65	2.66	2.66	2.81	2.81	2.82	2.82	2.98	2.98	2.99	2.99
	68	TC	31005	31046	31081	31123	32868	32907	32946	32985	34832	34877	34923	34962	36932	36972	37018	37064
		S/T	0.33	0.39	0.44	0.50	0.35	0.41	0.47	0.53	0.37	0.43	0.49	0.56	0.39	0.46	0.52	0.60
		PI	2.53	2.54	2.54	2.54	2.68	2.69	2.69	2.69	2.84	2.85	2.85	2.85	3.02	3.02	3.02	3.03
	77	TC	30912	30954	30989	31030	32770	32809	32848	32887	34728	34773	34819	34858	36822	36862	36908	36954
		S/T	0.34	0.40	0.45	0.51	0.36	0.42	0.48	0.54	0.38	0.45	0.51	0.58	0.40	0.47	0.54	0.61
		PI	2.56	2.57	2.57	2.57	2.72	2.72	2.72	2.73	2.88	2.88	2.89	2.89	3.05	3.06	3.06	3.06
	86	TC	29086	29125	29158	29197	30835	30871	30908	30944	32677	32720	32762	32799	34647	34685	34728	34771
		S/T	0.34	0.40	0.46	0.52	0.36	0.43	0.48	0.55	0.38	0.45	0.51	0.58	0.41	0.48	0.54	0.62
		PI	2.74	2.74	2.74	2.75	2.90	2.91	2.91	2.91	3.08	3.08	3.08	3.09	3.26	3.26	3.27	3.27
	95	TC	28594	28632	28664	28703	30312	30348	30384	30420	32124	32166	32207	32243	34060	34097	34140	34182
		S/T	0.35	0.41	0.47	0.53	0.37	0.44	0.50	0.57	0.39	0.46	0.53	0.60	0.42	0.49	0.56	0.64
		PI	2.80	2.81	2.81	2.81	2.97	2.97	2.98	2.98	3.15	3.15	3.16	3.16	3.34	3.34	3.35	3.35
	104	TC	25357	25391	25420	25454	26881	26913	26945	26977	28488	28525	28562	28594	30205	30238	30275	30313
		S/T	0.37	0.43	0.49	0.56	0.39	0.46	0.52	0.59	0.41	0.49	0.55	0.63	0.44	0.52	0.59	0.67
		PI	5.44	5.45	5.45	5.46	5.77	5.78	5.78	5.79	6.11	6.12	6.13	6.14	6.48	6.49	6.50	6.50
	114.8	TC	21473	21502	21526	21555	22764	22791	22818	22845	24124	24155	24187	24214	25578	25606	25638	25670
		S/T	0.37	0.44	0.50	0.57	0.40	0.46	0.53	0.60	0.42	0.49	0.56	0.64	0.44	0.52	0.59	0.68
		PI	8.61	8.62	8.63	8.64	9.13	9.14	9.15	9.16	9.67	9.68	9.70	9.71	10.25	10.26	10.28	10.29
	122	TC	18884	18909	18931	18956	20019	20043	20066	20090	21215	21243	21270	21294	22494	22519	22547	22575
		S/T	0.39	0.45	0.51	0.59	0.41	0.48	0.55	0.62	0.43	0.51	0.58	0.66	0.46	0.54	0.61	0.70
		PI	10.72	10.73	10.75	10.76	11.36	11.38	11.39	11.40	12.04	12.06	12.07	12.09	12.77	12.78	12.80	12.81

DUCTED COOLING PERFORMANCE 48R (Sheet 3 of 4)

AIRFLOW (CFM)	OUTDOOR DB (°F)	ID WB (°F) ID DB (°F)	60.8				64.4				66.2				71.6			
			73.4	77.0	80.6	84.2	73.4	77.0	80.6	84.2	73.4	77.0	80.0	84.20	73.4	77.0	80.6	84.2
			TC	S/T	PI	TC	S/T	PI	TC	S/T	PI	TC	S/T	PI	TC	S/T	PI	TC
1575	-22	TC	50615	50683	50740	50808	53657	53720	53784	53848	56863	56937	57011	57075	60291	60357	60432	60507
		S/T	0.48	0.56	0.63	0.72	0.50	0.59	0.67	0.77	0.53	0.63	0.71	0.81	0.57	0.67	0.76	0.86
		PI	3.28	3.29	3.29	3.30	3.48	3.49	3.49	3.49	3.69	3.69	3.70	3.70	3.91	3.92	3.92	3.92
	-10	TC	50021	50088	50144	50212	53027	53090	53153	53216	56196	56269	56342	56405	59584	59649	59723	59797
		S/T	0.48	0.56	0.64	0.73	0.51	0.60	0.68	0.77	0.54	0.63	0.72	0.82	0.57	0.67	0.76	0.87
		PI	3.37	3.38	3.38	3.38	3.57	3.58	3.58	3.59	3.79	3.79	3.80	3.80	4.02	4.02	4.03	4.03
	0	TC	49526	49593	49649	49715	52503	52565	52627	52690	55640	55713	55785	55847	58995	59059	59132	59206
		S/T	0.48	0.57	0.64	0.73	0.51	0.60	0.68	0.78	0.54	0.64	0.72	0.82	0.57	0.67	0.77	0.87
		PI	3.44	3.45	3.45	3.46	3.65	3.66	3.66	3.66	3.87	3.87	3.88	3.88	4.10	4.11	4.11	4.12
	5	TC	49279	49345	49401	49467	52241	52303	52365	52427	55362	55434	55506	55568	58700	58764	58837	58910
		S/T	0.48	0.57	0.64	0.73	0.51	0.60	0.68	0.78	0.54	0.64	0.72	0.83	0.58	0.68	0.77	0.88
		PI	3.48	3.48	3.49	3.49	3.69	3.69	3.70	3.70	3.91	3.91	3.92	3.92	4.15	4.15	4.16	4.16
	14	TC	48834	48899	48954	49020	51769	51830	51891	51953	54862	54933	55005	55066	58169	58233	58305	58378
		S/T	0.49	0.57	0.65	0.74	0.51	0.60	0.69	0.78	0.55	0.64	0.73	0.83	0.58	0.68	0.77	0.88
		PI	3.55	3.55	3.55	3.56	3.76	3.76	3.77	3.77	3.98	3.99	3.99	4.00	4.22	4.23	4.23	4.24
	17	TC	48685	48751	48805	48871	51611	51672	51734	51795	54695	54766	54838	54899	57993	58056	58128	58200
		S/T	0.49	0.57	0.65	0.74	0.52	0.61	0.69	0.78	0.55	0.64	0.73	0.83	0.58	0.68	0.77	0.88
		PI	3.57	3.57	3.58	3.58	3.78	3.79	3.79	3.80	4.01	4.01	4.02	4.02	4.25	4.25	4.26	4.26
	23	TC	48487	48552	48607	48672	51401	51462	51523	51585	54473	54544	54615	54676	57757	57820	57892	57964
		S/T	0.49	0.57	0.65	0.74	0.52	0.61	0.69	0.79	0.55	0.64	0.73	0.83	0.58	0.68	0.78	0.88
		PI	3.60	3.60	3.61	3.61	3.81	3.82	3.82	3.83	4.04	4.05	4.05	4.06	4.28	4.29	4.29	4.30
	32	TC	48190	48255	48309	48374	51087	51147	51208	51269	54140	54210	54280	54341	57403	57466	57537	57609
		S/T	0.49	0.58	0.65	0.75	0.52	0.61	0.69	0.79	0.55	0.65	0.74	0.84	0.58	0.69	0.78	0.89
		PI	3.64	3.64	3.65	3.65	3.86	3.86	3.87	3.87	4.09	4.09	4.10	4.10	4.34	4.34	4.35	4.35
	41	TC	47795	47859	47913	47977	50667	50727	50787	50848	53695	53765	53835	53895	56932	56994	57065	57136
		S/T	0.49	0.58	0.66	0.75	0.52	0.61	0.70	0.79	0.55	0.65	0.74	0.84	0.59	0.69	0.78	0.89
		PI	3.70	3.70	3.71	3.71	3.92	3.92	3.93	3.93	4.15	4.16	4.17	4.17	4.40	4.41	4.41	4.42
	47	TC	47498	47562	47615	47679	50352	50412	50472	50532	53361	53431	53500	53560	56578	56640	56710	56781
		S/T	0.49	0.58	0.66	0.75	0.52	0.61	0.70	0.80	0.56	0.65	0.74	0.84	0.59	0.69	0.78	0.89
		PI	3.74	3.75	3.75	3.76	3.97	3.97	3.98	3.98	4.20	4.21	4.21	4.22	4.46	4.46	4.47	4.47
	50	TC	47451	47515	47568	47632	50303	50362	50422	50482	53309	53378	53447	53507	56522	56584	56654	56725
		S/T	0.50	0.58	0.66	0.75	0.53	0.62	0.70	0.80	0.56	0.65	0.74	0.85	0.59	0.69	0.79	0.90
		PI	3.76	3.76	3.77	3.77	3.98	3.99	3.99	4.00	4.22	4.23	4.23	4.24	4.48	4.48	4.49	4.49
	59	TC	47310	47374	47427	47491	50154	50213	50273	50332	53151	53220	53289	53348	56355	56416	56486	56557
		S/T	0.50	0.58	0.66	0.76	0.53	0.62	0.70	0.80	0.56	0.66	0.75	0.85	0.59	0.70	0.79	0.90
		PI	3.80	3.81	3.81	3.82	4.03	4.04	4.04	4.05	4.27	4.28	4.29	4.29	4.53	4.54	4.54	4.55
	68	TC	47170	47233	47286	47350	50005	50064	50123	50183	52993	53062	53131	53190	56187	56248	56318	56389
		S/T	0.50	0.59	0.67	0.76	0.53	0.62	0.71	0.81	0.56	0.66	0.75	0.86	0.60	0.70	0.80	0.91
		PI	3.85	3.86	3.86	3.87	4.08	4.09	4.09	4.10	4.33	4.33	4.34	4.34	4.59	4.59	4.60	4.60
	77	TC	47029	47092	47145	47209	49856	49915	49974	50033	52835	52903	52972	53031	56020	56081	56151	56220
		S/T	0.51	0.60	0.69	0.78	0.54	0.64	0.73	0.83	0.58	0.68	0.77	0.88	0.61	0.72	0.82	0.93
		PI	3.90	3.90	3.91	3.91	4.13	4.14	4.14	4.15	4.38	4.39	4.39	4.40	4.64	4.65	4.66	4.66
	86	TC	44251	44311	44360	44420	46911	46966	47022	47078	49714	49779	49843	49899	52711	52768	52834	52900
		S/T	0.52	0.61	0.69	0.79	0.55	0.65	0.74	0.84	0.59	0.69	0.78	0.89	0.62	0.73	0.83	0.94
		PI	4.17	4.17	4.18	4.18	4.42	4.42	4.43	4.43	4.68	4.69	4.69	4.70	4.96	4.97	4.97	4.98
	95	TC	43502	43560	43609	43668	46117	46171	46226	46281	48872	48936	48999	49054	51819	51875	51939	52004
		S/T	0.53	0.63	0.71	0.81	0.57	0.66	0.75	0.86	0.60	0.70	0.80	0.91	0.64	0.75	0.85	0.97
		PI	4.26	4.27	4.27	4.28	4.52	4.52	4.53	4.54	4.79	4.80	4.80	4.81	5.08	5.08	5.09	5.10
104	TC	38578	38630	38673	38725	40896	40945	40993	41042	43340	43397	43453	43501	45953	46003	46060	46118	
	S/T	0.56	0.66	0.75	0.85	0.59	0.70	0.79	0.90	0.63	0.74	0.84	0.96	0.67	0.78	0.89	1.02	
	PI	8.28	8.29	8.30	8.31	8.78	8.79	8.80	8.81	9.30	9.31	9.32	9.33	9.86	9.87	9.88	9.90	
114.8	TC	32669	32713	32749	32794	34632	34673	34714	34756	36702	36749	36797	36838	38914	38957	39005	39054	
	S/T	0.57	0.67	0.76	0.86	0.60	0.71	0.80	0.91	0.64	0.75	0.85	0.97	0.68	0.79	0.90	1.03	
	PI	13.10	13.11	13.13	13.15	13.88	13.90	13.92	13.93	14.71	14.73	14.75	14.77	15.60	15.62	15.64	15.66	
122	TC	28729	28768	28800	28839	30456	30492	30528	30565	32276	32318	32360	32396	34222	34259	34302	34344	
	S/T	0.59	0.69	0.78	0.89	0.62	0.73	0.83	0.95	0.66	0.77	0.88	1.00	0.70	0.82	0.93	1.06	
	PI	16.31	16.33	16.35	16.37	17.29	17.31	17.33	17.35	18.32	18.34	18.37	18.39	19.43	19.45	19.47	19.49	

DUCTED COOLING PERFORMANCE 48R (Sheet 4 of 4)

AIRFLOW (CFM)	OUTDOOR DB (°F)	ID WB (°F) ID DB (°F)	60.8				64.4				66.2				71.6			
			73.4	77.0	80.6	84.2	73.4	77.0	80.6	84.2	73.4	77.0	80.0	84.20	73.4	77.0	80.6	84.2
			1600	-22	TC	50909	50978	51035	51104	53969	54033	54097	54161	57194	57268	57343	57407	60642
S/T	0.48	0.56			0.64	0.73	0.51	0.60	0.68	0.77	0.54	0.63	0.72	0.82	0.57	0.67	0.76	0.87
PI	3.30	3.31			3.31	3.32	3.50	3.51	3.51	3.51	3.71	3.71	3.72	3.73	3.94	3.94	3.94	3.95
-10	TC	50312		50380	50436	50504	53336	53399	53462	53526	56523	56596	56670	56733	59930	59996	60070	60145
	S/T	0.48		0.57	0.64	0.73	0.51	0.60	0.68	0.78	0.54	0.64	0.72	0.82	0.57	0.67	0.77	0.87
	PI	3.39		3.40	3.40	3.40	3.59	3.60	3.60	3.61	3.81	3.81	3.82	3.82	4.04	4.04	4.05	4.05
0	TC	49814		49881	49937	50005	52808	52871	52933	52996	55964	56037	56109	56172	59338	59402	59476	59550
	S/T	0.48		0.57	0.65	0.74	0.51	0.60	0.69	0.78	0.54	0.64	0.73	0.83	0.58	0.68	0.77	0.88
	PI	3.46		3.47	3.47	3.48	3.67	3.68	3.68	3.69	3.89	3.90	3.90	3.91	4.13	4.13	4.14	4.14
5	TC	49565		49632	49688	49755	52544	52607	52669	52732	55684	55757	55829	55891	59041	59105	59179	59253
	S/T	0.49		0.57	0.65	0.74	0.52	0.60	0.69	0.78	0.55	0.64	0.73	0.83	0.58	0.68	0.77	0.88
	PI	3.50		3.51	3.51	3.51	3.71	3.72	3.72	3.72	3.93	3.94	3.94	3.95	4.17	4.17	4.18	4.18
14	TC	49118		49184	49239	49305	52070	52131	52193	52255	55181	55253	55325	55386	58508	58571	58644	58717
	S/T	0.49		0.57	0.65	0.74	0.52	0.61	0.69	0.79	0.55	0.64	0.73	0.83	0.58	0.68	0.78	0.88
	PI	3.57		3.57	3.57	3.58	3.78	3.78	3.79	3.79	4.01	4.01	4.02	4.02	4.25	4.25	4.26	4.26
17	TC	48968		49034	49089	49155	51911	51973	52034	52096	55013	55085	55157	55218	58330	58393	58466	58539
	S/T	0.49		0.57	0.65	0.74	0.52	0.61	0.69	0.79	0.55	0.65	0.73	0.84	0.58	0.68	0.78	0.89
	PI	3.59		3.59	3.60	3.60	3.80	3.81	3.81	3.82	4.03	4.04	4.04	4.05	4.27	4.28	4.28	4.29
23	TC	48769		48835	48890	48955	51700	51762	51823	51884	54790	54861	54932	54994	58093	58156	58228	58301
	S/T	0.49		0.58	0.65	0.75	0.52	0.61	0.69	0.79	0.55	0.65	0.74	0.84	0.58	0.69	0.78	0.89
	PI	3.62		3.62	3.63	3.63	3.83	3.84	3.84	3.85	4.06	4.07	4.07	4.08	4.31	4.31	4.32	4.32
32	TC	48471		48536	48590	48656	51384	51445	51506	51567	54454	54525	54596	54657	57737	57800	57872	57944
	S/T	0.49		0.58	0.66	0.75	0.52	0.61	0.70	0.80	0.55	0.65	0.74	0.84	0.59	0.69	0.78	0.89
	PI	3.66		3.67	3.67	3.67	3.88	3.89	3.89	3.89	4.11	4.12	4.12	4.13	4.36	4.37	4.37	4.38
41	TC	48072	48137	48191	48256	50962	51022	51083	51143	54007	54077	54148	54208	57263	57325	57396	57468	
	S/T	0.50	0.58	0.66	0.75	0.53	0.62	0.70	0.80	0.56	0.65	0.74	0.85	0.59	0.69	0.79	0.90	
	PI	3.72	3.72	3.73	3.73	3.94	3.95	3.95	3.96	4.18	4.18	4.19	4.19	4.43	4.44	4.44	4.45	
47	TC	47774	47838	47892	47956	50645	50705	50765	50826	53672	53741	53811	53871	56907	56969	57040	57111	
	S/T	0.50	0.58	0.66	0.76	0.53	0.62	0.70	0.80	0.56	0.66	0.74	0.85	0.59	0.69	0.79	0.90	
	PI	3.76	3.77	3.77	3.78	3.99	3.99	4.00	4.00	4.23	4.23	4.24	4.24	4.48	4.49	4.49	4.50	
50	TC	47727	47791	47845	47909	50595	50655	50715	50775	53619	53688	53758	53818	56851	56913	56984	57055	
	S/T	0.50	0.58	0.66	0.76	0.53	0.62	0.70	0.80	0.56	0.66	0.75	0.85	0.59	0.70	0.79	0.90	
	PI	3.78	3.78	3.79	3.79	4.01	4.01	4.02	4.02	4.25	4.25	4.26	4.26	4.50	4.51	4.51	4.52	
59	TC	47585	47649	47703	47767	50445	50505	50565	50625	53460	53529	53599	53659	56683	56744	56815	56886	
	S/T	0.50	0.59	0.67	0.76	0.53	0.62	0.71	0.81	0.56	0.66	0.75	0.86	0.60	0.70	0.80	0.91	
	PI	3.83	3.83	3.84	3.84	4.06	4.06	4.07	4.07	4.30	4.30	4.31	4.31	4.56	4.56	4.57	4.57	
68	TC	47444	47508	47561	47625	50295	50355	50415	50474	53301	53370	53440	53499	56514	56576	56646	56716	
	S/T	0.50	0.59	0.67	0.77	0.53	0.63	0.71	0.81	0.57	0.66	0.75	0.86	0.60	0.70	0.80	0.91	
	PI	3.87	3.88	3.88	3.89	4.11	4.11	4.12	4.12	4.35	4.36	4.36	4.37	4.61	4.62	4.63	4.63	
77	TC	47302	47366	47419	47483	50145	50205	50264	50324	53142	53211	53280	53340	56346	56407	56477	56547	
	S/T	0.52	0.61	0.69	0.79	0.55	0.64	0.73	0.83	0.58	0.68	0.77	0.88	0.62	0.72	0.82	0.94	
	PI	3.92	3.93	3.93	3.94	4.16	4.16	4.17	4.17	4.41	4.41	4.42	4.42	4.67	4.68	4.68	4.69	
86	TC	44508	44568	44618	44679	47184	47239	47295	47352	50003	50068	50133	50189	53018	53075	53141	53207	
	S/T	0.52	0.61	0.70	0.80	0.56	0.65	0.74	0.84	0.59	0.69	0.78	0.89	0.62	0.73	0.83	0.95	
	PI	4.19	4.20	4.20	4.21	4.44	4.45	4.45	4.46	4.71	4.71	4.72	4.72	4.99	5.00	5.00	5.01	
95	TC	43755	43814	43863	43922	46385	46440	46495	46550	49157	49220	49284	49339	52120	52177	52241	52307	
	S/T	0.54	0.63	0.72	0.82	0.57	0.67	0.76	0.87	0.60	0.71	0.80	0.92	0.64	0.75	0.85	0.97	
	PI	4.29	4.29	4.30	4.30	4.55	4.55	4.56	4.56	4.82	4.82	4.83	4.84	5.11	5.11	5.12	5.13	
104	TC	38802	38854	38898	38950	41134	41183	41232	41281	43592	43649	43706	43754	46220	46270	46328	46386	
	S/T	0.56	0.66	0.75	0.86	0.60	0.70	0.80	0.91	0.63	0.74	0.84	0.96	0.67	0.79	0.90	1.02	
	PI	8.33	8.34	8.35	8.36	8.83	8.84	8.85	8.86	9.35	9.37	9.38	9.39	9.92	9.93	9.94	9.95	
114.8	TC	32859	32903	32940	32984	34834	34875	34916	34958	36915	36963	37011	37053	39141	39183	39232	39281	
	S/T	0.57	0.67	0.76	0.87	0.60	0.71	0.81	0.92	0.64	0.75	0.85	0.97	0.68	0.80	0.91	1.03	
	PI	13.17	13.19	13.20	13.22	13.96	13.98	14.00	14.01	14.80	14.82	14.84	14.85	15.69	15.71	15.73	15.75	
122	TC	28896	28935	28968	29007	30633	30670	30706	30742	32464	32506	32548	32585	34421	34458	34501	34544	
	S/T	0.59	0.69	0.79	0.90	0.63	0.73	0.84	0.95	0.66	0.78	0.89	1.01	0.70	0.83	0.94	1.07	
	PI	16.40	16.42	16.44	16.47	17.39	17.41	17.43	17.45	18.43	18.45	18.48	18.50	19.54	19.56	19.58	19.61	

NOTE: Data highlighted in gray is extrapolated data and not actual test data. At 77°F outdoor conditions sweat protection activates causing a decrease in total capacity.

LEGEND

- TC - Total Net Capacity (Btu/hour)
- S/T: Sensible Cooling Capacity Ratio
- PI: Power Input (kW)
- Extrapolated Data

COOLING PERFORMANCE DUCTED

COOLING PERFORMANCE 48HH (HIGH HEAT)

DUCTED COOLING PERFORMANCE 48HH (Sheet 1 of 4)

AIRFLOW (CFM)	OUTDOOR DB (°F)	ID WB (°F)		60.8				64.4				66.2				71.6			
		ID	WB	73.4	77.0	80.6	84.2	73.4	77.0	80.6	84.2	73.4	77.0	80.0	84.20	73.4	77.0	80.6	84.2
		DB	(°F)	DB	(°F)														
625	-22	TC	19287	19313	19335	19361	20446	20471	20495	20519	21668	21696	21725	21749	22975	22999	23028	23057	
		S/T	0.21	0.24	0.27	0.31	0.22	0.26	0.29	0.33	0.23	0.27	0.31	0.35	0.24	0.29	0.33	0.37	
		PI	1.04	1.04	1.04	1.04	1.10	1.10	1.10	1.11	1.17	1.17	1.17	1.17	1.24	1.24	1.24	1.24	
	-10	TC	19047	19073	19094	19120	20192	20216	20240	20264	21398	21426	21454	21478	22688	22713	22741	22769	
		S/T	0.21	0.24	0.28	0.31	0.22	0.26	0.29	0.33	0.23	0.27	0.31	0.35	0.25	0.29	0.33	0.37	
		PI	1.11	1.12	1.12	1.12	1.18	1.18	1.18	1.19	1.25	1.25	1.26	1.26	1.33	1.33	1.33	1.33	
	0	TC	18847	18872	18893	18919	19979	20003	20027	20050	21173	21201	21228	21252	22450	22474	22502	22530	
		S/T	0.21	0.24	0.28	0.32	0.22	0.26	0.29	0.34	0.23	0.27	0.31	0.36	0.25	0.29	0.33	0.38	
		PI	1.18	1.18	1.18	1.18	1.25	1.25	1.25	1.25	1.32	1.32	1.33	1.33	1.40	1.40	1.41	1.41	
	5	TC	18746	18772	18793	18818	19873	19897	19920	19944	21061	21088	21116	21139	22330	22355	22382	22410	
		S/T	0.21	0.25	0.28	0.32	0.22	0.26	0.30	0.34	0.23	0.28	0.31	0.36	0.25	0.29	0.33	0.38	
		PI	1.21	1.21	1.21	1.21	1.28	1.28	1.28	1.29	1.36	1.36	1.36	1.36	1.44	1.44	1.44	1.45	
	14	TC	18566	18591	18612	18637	19682	19705	19729	19752	20858	20885	20912	20936	22116	22140	22167	22195	
		S/T	0.21	0.25	0.28	0.32	0.22	0.26	0.30	0.34	0.24	0.28	0.31	0.36	0.25	0.29	0.33	0.38	
		PI	1.27	1.27	1.27	1.27	1.34	1.34	1.34	1.35	1.42	1.42	1.43	1.43	1.51	1.51	1.51	1.51	
	17	TC	18506	18531	18552	18577	19618	19642	19665	19688	20791	20818	20845	20868	22044	22068	22096	22123	
		S/T	0.21	0.25	0.28	0.32	0.22	0.26	0.30	0.34	0.24	0.28	0.32	0.36	0.25	0.29	0.33	0.38	
		PI	1.28	1.29	1.29	1.29	1.36	1.36	1.36	1.37	1.44	1.44	1.45	1.45	1.53	1.53	1.53	1.54	
23	TC	18426	18451	18471	18496	19533	19557	19580	19603	20701	20728	20755	20778	21949	21973	22000	22027		
	S/T	0.21	0.25	0.28	0.32	0.22	0.26	0.30	0.34	0.24	0.28	0.32	0.36	0.25	0.29	0.33	0.38		
	PI	1.31	1.31	1.31	1.31	1.39	1.39	1.39	1.39	1.47	1.47	1.48	1.48	1.56	1.56	1.56	1.57		
32	TC	18306	18330	18351	18376	19406	19429	19452	19475	20566	20592	20619	20642	21806	21829	21856	21884		
	S/T	0.21	0.25	0.28	0.32	0.22	0.26	0.30	0.34	0.24	0.28	0.32	0.36	0.25	0.30	0.34	0.38		
	PI	1.35	1.35	1.35	1.35	1.43	1.43	1.43	1.43	1.51	1.52	1.52	1.52	1.60	1.61	1.61	1.61		
41	TC	18146	18170	18190	18215	19236	19259	19282	19305	20386	20412	20439	20462	21615	21638	21665	21692		
	S/T	0.21	0.25	0.28	0.32	0.23	0.26	0.30	0.34	0.24	0.28	0.32	0.36	0.25	0.30	0.34	0.39		
	PI	1.40	1.40	1.40	1.40	1.48	1.48	1.48	1.49	1.57	1.57	1.57	1.58	1.66	1.67	1.67	1.67		
47	TC	18025	18050	18070	18094	19109	19131	19154	19177	20251	20277	20303	20326	21472	21495	21522	21548		
	S/T	0.21	0.25	0.28	0.32	0.23	0.27	0.30	0.34	0.24	0.28	0.32	0.36	0.25	0.30	0.34	0.39		
	PI	1.44	1.44	1.44	1.44	1.52	1.52	1.53	1.53	1.61	1.61	1.62	1.62	1.71	1.71	1.71	1.72		
50	TC	18020	18044	18064	18089	19103	19125	19148	19171	20244	20271	20297	20320	21465	21488	21515	21541		
	S/T	0.21	0.25	0.29	0.33	0.23	0.27	0.30	0.35	0.24	0.28	0.32	0.37	0.26	0.30	0.34	0.39		
	PI	1.44	1.44	1.45	1.45	1.53	1.53	1.53	1.53	1.62	1.62	1.62	1.63	1.72	1.72	1.72	1.72		
59	TC	18002	18027	18047	18071	19084	19107	19130	19152	20225	20251	20277	20300	21444	21467	21494	21521		
	S/T	0.22	0.25	0.29	0.33	0.23	0.27	0.30	0.35	0.24	0.28	0.32	0.37	0.26	0.30	0.34	0.39		
	PI	1.46	1.46	1.47	1.47	1.55	1.55	1.55	1.56	1.64	1.65	1.65	1.65	1.74	1.74	1.75	1.75		
68	TC	17985	18009	18029	18054	19066	19089	19111	19134	20205	20232	20258	20280	21423	21447	21473	21500		
	S/T	0.22	0.25	0.29	0.33	0.23	0.27	0.31	0.35	0.24	0.29	0.32	0.37	0.26	0.30	0.34	0.39		
	PI	1.48	1.49	1.49	1.49	1.57	1.57	1.58	1.58	1.67	1.67	1.67	1.67	1.77	1.77	1.77	1.77		
77	TC	17968	17992	18012	18036	19048	19070	19093	19115	20186	20212	20238	20261	21403	21426	21453	21479		
	S/T	0.22	0.26	0.30	0.34	0.24	0.28	0.31	0.36	0.25	0.29	0.33	0.38	0.26	0.31	0.35	0.40		
	PI	1.50	1.51	1.51	1.51	1.59	1.60	1.60	1.60	1.69	1.69	1.69	1.70	1.79	1.79	1.80	1.80		
86	TC	17258	17281	17301	17324	18295	18317	18339	18360	19389	19414	19439	19461	20557	20580	20605	20631		
	S/T	0.22	0.26	0.30	0.34	0.24	0.28	0.32	0.36	0.25	0.30	0.34	0.38	0.27	0.31	0.36	0.41		
	PI	1.71	1.71	1.72	1.72	1.81	1.82	1.82	1.82	1.92	1.93	1.93	1.93	2.04	2.04	2.04	2.05		
95	TC	17081	17104	17123	17146	18108	18129	18150	18172	19190	19215	19239	19261	20346	20369	20394	20419		
	S/T	0.23	0.27	0.31	0.35	0.24	0.29	0.33	0.37	0.26	0.30	0.35	0.39	0.27	0.32	0.37	0.42		
	PI	1.78	1.78	1.78	1.78	1.88	1.88	1.89	1.89	1.99	2.00	2.00	2.00	2.11	2.12	2.12	2.12		
104	TC	14667	14687	14703	14723	15549	15567	15585	15604	16478	16499	16521	16539	17471	17490	17512	17534		
	S/T	0.24	0.28	0.32	0.37	0.26	0.30	0.34	0.39	0.27	0.32	0.36	0.41	0.29	0.34	0.38	0.44		
	PI	3.73	3.73	3.74	3.74	3.95	3.96	3.96	3.97	4.19	4.19	4.20	4.20	4.44	4.44	4.45	4.46		
114.8	TC	11770	11786	11799	11815	12478	12493	12507	12522	13223	13241	13258	13273	14021	14036	14053	14071		
	S/T	0.25	0.29	0.33	0.37	0.26	0.30	0.35	0.39	0.28	0.32	0.37	0.42	0.29	0.34	0.39	0.44		
	PI	6.07	6.08	6.08	6.09	6.43	6.44	6.45	6.46	6.82	6.83	6.84	6.84	7.23	7.24	7.25	7.25		
122	TC	9839	9852	9863	9877	10431	10443	10455	10468	11054	11068	11083	11095	11720	11733	11748	11762		
	S/T	0.25	0.30	0.34	0.39	0.27	0.32	0.36	0.41	0.29	0.33	0.38	0.43	0.30	0.35	0.40	0.46		
	PI	7.63	7.64	7.65	7.66	8.09	8.10	8.11	8.12	8.57	8.58	8.59	8.60	9.09	9.10	9.11	9.12		

DUCTED COOLING PERFORMANCE 48HH (Sheet 2 of 4)

AIRFLOW (CFM)	OUTDOOR DB (°F)	ID WB (°F)		60.8				64.4				66.2				71.6			
		ID	DB	73.4	77.0	80.6	84.2	73.4	77.0	80.6	84.2	73.4	77.0	80.0	84.20	73.4	77.0	80.6	84.2
1025	-22	TC	31318	31360	31395	31438	33200	33239	33279	33318	35184	35230	35276	35315	37305	37346	37392	37439	
		S/T	0.31	0.37	0.42	0.48	0.33	0.39	0.44	0.50	0.35	0.41	0.47	0.53	0.37	0.44	0.50	0.57	
		PI	1.57	1.57	1.58	1.58	1.67	1.67	1.67	1.67	1.77	1.77	1.77	1.77	1.87	1.88	1.88	1.88	
	-10	TC	30928	30969	31004	31046	32786	32825	32864	32903	34746	34791	34836	34875	36840	36880	36926	36972	
		S/T	0.32	0.37	0.42	0.48	0.33	0.39	0.45	0.51	0.35	0.42	0.47	0.54	0.38	0.44	0.50	0.57	
		PI	1.69	1.69	1.69	1.69	1.79	1.79	1.79	1.79	1.90	1.90	1.90	1.90	2.01	2.01	2.01	2.02	
	0	TC	30602	30644	30678	30719	32442	32480	32519	32557	34380	34425	34470	34508	36453	36493	36538	36583	
		S/T	0.32	0.37	0.42	0.48	0.34	0.39	0.45	0.51	0.36	0.42	0.47	0.54	0.38	0.44	0.50	0.57	
		PI	1.78	1.78	1.79	1.79	1.89	1.89	1.89	1.90	2.00	2.01	2.01	2.01	2.12	2.13	2.13	2.13	
	5	TC	30440	30481	30515	30556	32269	32308	32346	32384	34198	34242	34281	34325	36259	36299	36344	36389	
		S/T	0.32	0.37	0.42	0.48	0.34	0.40	0.45	0.51	0.36	0.42	0.48	0.54	0.38	0.44	0.50	0.58	
		PI	1.83	1.83	1.83	1.84	1.94	1.94	1.94	1.95	2.06	2.06	2.06	2.06	2.18	2.18	2.18	2.19	
	14	TC	30147	30188	30222	30262	31959	31997	32035	32073	33869	33913	33957	33995	35911	35950	35994	36039	
		S/T	0.32	0.37	0.43	0.49	0.34	0.40	0.45	0.51	0.36	0.42	0.48	0.55	0.38	0.45	0.51	0.58	
		PI	1.92	1.92	1.92	1.92	2.03	2.03	2.04	2.04	2.15	2.16	2.16	2.16	2.28	2.28	2.29	2.29	
	17	TC	30050	30090	30124	30164	31856	31893	31931	31969	33759	33803	33847	33885	35794	35833	35878	35923	
		S/T	0.32	0.38	0.43	0.49	0.34	0.40	0.45	0.52	0.36	0.42	0.48	0.55	0.38	0.45	0.51	0.58	
		PI	1.94	1.95	1.95	1.95	2.06	2.06	2.07	2.07	2.18	2.19	2.19	2.19	2.32	2.32	2.32	2.32	
	23	TC	29919	29960	29993	30034	31718	31755	31793	31831	33613	33657	33701	33738	35639	35678	35723	35767	
		S/T	0.32	0.38	0.43	0.49	0.34	0.40	0.45	0.52	0.36	0.42	0.48	0.55	0.38	0.45	0.51	0.58	
		PI	1.98	1.99	1.99	1.99	2.10	2.10	2.11	2.11	2.23	2.23	2.23	2.24	2.36	2.36	2.37	2.37	
	32	TC	29724	29764	29798	29838	31511	31548	31586	31623	33394	33437	33481	33518	35407	35445	35490	35534	
		S/T	0.32	0.38	0.43	0.49	0.34	0.40	0.46	0.52	0.36	0.43	0.48	0.55	0.38	0.45	0.51	0.58	
		PI	2.04	2.04	2.04	2.05	2.16	2.16	2.17	2.17	2.29	2.29	2.30	2.30	2.43	2.43	2.44	2.44	
	41	TC	29464	29504	29537	29577	31235	31272	31309	31346	33102	33145	33188	33225	35097	35135	35179	35223	
		S/T	0.32	0.38	0.43	0.49	0.34	0.40	0.46	0.52	0.36	0.43	0.49	0.55	0.39	0.45	0.51	0.59	
		PI	2.12	2.12	2.12	2.12	2.24	2.25	2.25	2.25	2.38	2.38	2.38	2.39	2.52	2.52	2.53	2.53	
	47	TC	29269	29308	29341	29381	31028	31065	31102	31139	32882	32925	32968	33005	34865	34903	34946	34989	
		S/T	0.32	0.38	0.43	0.49	0.34	0.40	0.46	0.52	0.36	0.43	0.49	0.55	0.39	0.45	0.52	0.59	
		PI	2.17	2.18	2.18	2.18	2.30	2.31	2.31	2.31	2.44	2.44	2.45	2.45	2.59	2.59	2.59	2.60	
	50	TC	29260	29299	29332	29371	31018	31055	31092	31129	32872	32915	32957	32994	34853	34891	34935	34978	
		S/T	0.33	0.38	0.43	0.50	0.35	0.41	0.46	0.52	0.37	0.43	0.49	0.56	0.39	0.46	0.52	0.59	
		PI	2.18	2.19	2.19	2.19	2.31	2.32	2.32	2.32	2.45	2.46	2.46	2.46	2.60	2.60	2.61	2.61	
	59	TC	29232	29271	29304	29343	30988	31025	31062	31099	32840	32883	32926	32962	34820	34858	34901	34945	
		S/T	0.33	0.38	0.44	0.50	0.35	0.41	0.46	0.53	0.37	0.43	0.49	0.56	0.39	0.46	0.52	0.59	
		PI	2.21	2.22	2.22	2.22	2.35	2.35	2.35	2.36	2.49	2.49	2.49	2.50	2.64	2.64	2.64	2.65	
	68	TC	29203	29243	29275	29315	30959	30995	31032	31069	32809	32851	32894	32931	34786	34824	34868	34911	
		S/T	0.33	0.39	0.44	0.50	0.35	0.41	0.47	0.53	0.37	0.43	0.49	0.56	0.39	0.46	0.52	0.60	
		PI	2.25	2.25	2.25	2.25	2.38	2.38	2.39	2.39	2.52	2.53	2.53	2.53	2.68	2.68	2.68	2.68	
	77	TC	29175	29214	29247	29287	30929	30965	31002	31039	32777	32819	32862	32899	34753	34791	34834	34877	
		S/T	0.34	0.40	0.45	0.51	0.36	0.42	0.48	0.54	0.38	0.45	0.51	0.58	0.40	0.47	0.54	0.61	
		PI	2.28	2.28	2.28	2.29	2.41	2.42	2.42	2.42	2.56	2.56	2.56	2.57	2.71	2.72	2.72	2.72	
	86	TC	28023	28061	28092	28130	29770	29742	29778	29813	31482	31523	31564	31600	33380	33417	33458	33500	
		S/T	0.34	0.40	0.46	0.52	0.36	0.43	0.48	0.55	0.38	0.45	0.51	0.58	0.41	0.48	0.54	0.62	
		PI	2.59	2.59	2.60	2.60	2.75	2.75	2.75	2.76	2.91	2.92	2.92	2.92	3.09	3.09	3.09	3.10	
	95	TC	27735	27773	27804	27841	29402	29437	29472	29507	31159	31200	31240	31275	33038	33074	33115	33156	
		S/T	0.35	0.41	0.47	0.53	0.37	0.44	0.50	0.57	0.39	0.46	0.53	0.60	0.42	0.49	0.56	0.64	
		PI	2.69	2.69	2.69	2.70	2.85	2.85	2.86	2.86	3.02	3.02	3.03	3.03	3.20	3.21	3.21	3.21	
	104	TC	23816	23848	23875	23907	25247	25277	25307	25337	26756	26791	26825	26855	28369	28400	28435	28470	
		S/T	0.37	0.43	0.49	0.56	0.39	0.46	0.52	0.59	0.41	0.49	0.55	0.63	0.44	0.52	0.59	0.67	
		PI	5.64	5.65	5.66	5.66	5.98	5.99	6.00	6.00	6.34	6.35	6.36	6.36	6.72	6.73	6.74	6.74	
	114.8	TC	19112	19138	19159	19185	20261	20285	20309	20333	21472	21500	21527	21552	22766	22791	22819	22848	
		S/T	0.37	0.44	0.50	0.57	0.40	0.46	0.53	0.60	0.42	0.49	0.56	0.64	0.44	0.52	0.59	0.68	
		PI	9.19	9.20	9.21	9.22	9.74	9.75	9.76	9.77	10.32	10.34	10.35	10.36	10.94	10.96	10.97	10.98	
	122	TC	15977	15998	16016	16038	16937	16957	16977	16997	17949	17972	17996	18016	19031	19052	19075	19099	
		S/T	0.39	0.45	0.51	0.59	0.41	0.48	0.55	0.62	0.43	0.51	0.58	0.66	0.46	0.54	0.61	0.70	
		PI	11.55	11.57	11.58	11.60	12.25	12.26	12.27	12.29	12.98	12.99	13.01	13.03	13.76	13.77	13.79	13.81	

DUCTED COOLING PERFORMANCE 48HH (Sheet 3 of 4)

AIRFLOW (CFM)	OUTDOOR DB (°F)	ID WB (°F)		60.8				64.4				66.2				71.6			
		ID	WB	73.4	77.0	80.6	84.2	73.4	77.0	80.6	84.2	73.4	77.0	80.0	84.20	73.4	77.0	80.6	84.2
		DB	°F	°F	°F	°F	°F	°F	°F	°F	°F	°F	°F	°F	°F	°F	°F	°F	°F
1575	-22	TC	47646	47710	47764	47828	50510	50570	50630	50690	53528	53598	53667	53727	56755	56817	56887	56958	
		S/T	0.48	0.56	0.63	0.72	0.50	0.59	0.67	0.77	0.53	0.63	0.71	0.81	0.57	0.67	0.76	0.86	
		PI	2.39	2.40	2.40	2.40	2.54	2.54	2.54	2.55	2.69	2.69	2.70	2.70	2.85	2.85	2.86	2.86	
	-10	TC	47052	47116	47169	47232	49880	49939	49999	50058	52861	52930	52999	53058	56048	56109	56179	56248	
		S/T	0.48	0.56	0.64	0.73	0.51	0.60	0.68	0.77	0.54	0.63	0.72	0.82	0.57	0.67	0.76	0.87	
		PI	2.57	2.57	2.57	2.58	2.72	2.72	2.73	2.73	2.88	2.89	2.89	2.89	3.06	3.06	3.06	3.07	
	0	TC	46558	46620	46673	46736	49356	49414	49473	49532	52305	52373	52441	52500	55458	55519	55588	55657	
		S/T	0.48	0.57	0.64	0.73	0.51	0.60	0.68	0.78	0.54	0.64	0.72	0.82	0.57	0.67	0.77	0.87	
		PI	2.71	2.72	2.72	2.72	2.87	2.88	2.88	2.88	3.05	3.05	3.05	3.06	3.23	3.23	3.24	3.24	
	5	TC	46310	46373	46425	46487	49094	49152	49210	49268	52027	52095	52163	52221	55164	55224	55292	55361	
		S/T	0.48	0.57	0.64	0.73	0.51	0.60	0.68	0.78	0.54	0.64	0.72	0.83	0.58	0.68	0.77	0.88	
		PI	2.78	2.79	2.79	2.79	2.95	2.95	2.96	2.96	3.13	3.13	3.14	3.14	3.32	3.32	3.32	3.33	
	14	TC	45865	45927	45978	46040	48622	48679	48737	48795	51527	51594	51661	51719	54633	54693	54761	54829	
		S/T	0.49	0.57	0.65	0.74	0.51	0.60	0.69	0.78	0.55	0.64	0.73	0.83	0.58	0.68	0.77	0.88	
		PI	2.91	2.92	2.92	2.93	3.09	3.09	3.10	3.10	3.27	3.28	3.28	3.29	3.47	3.48	3.48	3.48	
	17	TC	45717	45778	45829	45891	48464	48522	48579	48637	51360	51427	51494	51551	54457	54516	54584	54652	
		S/T	0.49	0.57	0.65	0.74	0.52	0.61	0.69	0.78	0.55	0.64	0.73	0.83	0.58	0.68	0.77	0.88	
		PI	2.96	2.96	2.97	2.97	3.14	3.14	3.14	3.15	3.32	3.33	3.33	3.34	3.52	3.53	3.53	3.54	
	23	TC	45519	45580	45631	45693	48254	48312	48369	48426	51138	51204	51271	51328	54221	54280	54347	54415	
		S/T	0.49	0.57	0.65	0.74	0.52	0.61	0.69	0.79	0.55	0.64	0.73	0.83	0.58	0.68	0.78	0.88	
PI		3.02	3.02	3.02	3.03	3.20	3.20	3.21	3.21	3.39	3.39	3.40	3.40	3.59	3.60	3.60	3.61		
32	TC	45222	45283	45333	45395	47940	47997	48053	48110	50804	50870	50937	50993	53867	53926	53993	54060		
	S/T	0.49	0.58	0.65	0.75	0.52	0.61	0.69	0.79	0.55	0.65	0.74	0.84	0.58	0.69	0.78	0.89		
	PI	3.10	3.11	3.11	3.12	3.29	3.29	3.30	3.30	3.49	3.49	3.50	3.50	3.70	3.70	3.71	3.71		
41	TC	44826	44886	44937	44997	47520	47576	47633	47689	50360	50425	50491	50547	53396	53454	53520	53587		
	S/T	0.49	0.58	0.66	0.75	0.52	0.61	0.70	0.79	0.55	0.65	0.74	0.84	0.59	0.69	0.78	0.89		
	PI	3.22	3.22	3.23	3.23	3.41	3.42	3.42	3.42	3.62	3.62	3.63	3.63	3.83	3.84	3.84	3.85		
47	TC	44529	44589	44639	44699	47205	47261	47317	47374	50026	50091	50156	50212	53042	53100	53166	53232		
	S/T	0.49	0.58	0.66	0.75	0.52	0.61	0.70	0.80	0.56	0.65	0.74	0.84	0.59	0.69	0.78	0.89		
	PI	3.31	3.31	3.31	3.32	3.50	3.51	3.51	3.52	3.71	3.72	3.72	3.73	3.94	3.94	3.95	3.95		
50	TC	44515	44575	44625	44685	47190	47246	47302	47358	50010	50075	50140	50196	53025	53083	53149	53215		
	S/T	0.50	0.58	0.66	0.75	0.53	0.62	0.70	0.80	0.56	0.65	0.74	0.85	0.59	0.69	0.79	0.90		
	PI	3.32	3.33	3.33	3.33	3.52	3.53	3.53	3.53	3.73	3.74	3.74	3.75	3.96	3.96	3.97	3.97		
59	TC	44472	44532	44582	44642	47145	47201	47257	47313	49962	50027	50092	50148	52974	53032	53098	53164		
	S/T	0.50	0.58	0.66	0.76	0.53	0.62	0.70	0.80	0.56	0.66	0.75	0.85	0.59	0.70	0.79	0.90		
	PI	3.37	3.37	3.38	3.38	3.57	3.58	3.58	3.58	3.79	3.79	3.80	3.80	4.01	4.02	4.02	4.03		
68	TC	44429	44489	44539	44599	47099	47155	47211	47267	49914	49979	50044	50100	52923	52981	53046	53113		
	S/T	0.50	0.59	0.67	0.76	0.53	0.62	0.71	0.81	0.56	0.66	0.75	0.86	0.60	0.70	0.80	0.91		
	PI	3.42	3.42	3.43	3.43	3.62	3.63	3.63	3.63	3.84	3.85	3.85	3.85	4.07	4.07	4.08	4.08		
77	TC	44386	44446	44496	44556	47054	47110	47166	47222	49866	49931	49996	50051	52872	52929	52995	53061		
	S/T	0.51	0.60	0.69	0.78	0.54	0.64	0.73	0.83	0.58	0.68	0.77	0.88	0.61	0.72	0.82	0.93		
	PI	3.46	3.47	3.47	3.48	3.67	3.68	3.68	3.69	3.89	3.90	3.90	3.91	4.13	4.13	4.14	4.14		
86	TC	42633	42691	42739	42796	45196	45249	45303	45357	47896	47959	48021	48075	50784	50839	50902	50966		
	S/T	0.52	0.61	0.69	0.79	0.55	0.65	0.74	0.84	0.59	0.69	0.78	0.89	0.62	0.73	0.83	0.94		
	PI	3.94	3.95	3.95	3.96	4.18	4.18	4.19	4.19	4.43	4.43	4.44	4.45	4.70	4.70	4.71	4.71		
95	TC	42196	42253	42300	42357	44732	44785	44838	44891	47405	47466	47528	47581	50263	50317	50380	50443		
	S/T	0.53	0.63	0.71	0.81	0.57	0.66	0.75	0.86	0.60	0.70	0.80	0.91	0.64	0.75	0.85	0.97		
	PI	4.09	4.09	4.10	4.10	4.34	4.34	4.35	4.35	4.59	4.60	4.61	4.61	4.87	4.88	4.88	4.89		
104	TC	36233	36281	36322	36371	38410	38456	38501	38547	40706	40758	40811	40857	43159	43206	43260	43314		
	S/T	0.56	0.66	0.75	0.85	0.59	0.70	0.79	0.90	0.63	0.74	0.84	0.96	0.67	0.78	0.89	1.02		
	PI	8.58	8.60	8.61	8.62	9.10	9.11	9.12	9.13	9.64	9.66	9.67	9.68	10.22	10.24	10.25	10.26		
114.8	TC	29077	29116	29149	29188	30824	30861	30897	30934	32666	32709	32751	32788	34636	34673	34716	34760		
	S/T	0.57	0.67	0.76	0.86	0.60	0.71	0.80	0.91	0.64	0.75	0.85	0.97	0.68	0.79	0.90	1.03		
	PI	13.98	14.00	14.01	14.03	14.82	14.84	14.85	14.87	15.70	15.72	15.74	15.76	16.65	16.67	16.69	16.71		
122	TC	24306	24339	24366	24399	25767	25798	25828	25859	27307	27342	27378	27408	28953	28984	29021	29057		
	S/T	0.59	0.69	0.78	0.89	0.62	0.73	0.83	0.95	0.66	0.77	0.88	1.00	0.70	0.82	0.93	1.06		
	PI	17.57	17.60	17.62	17.64	18.63	18.65	18.67	18.70	19.74	19.77	19.79	19.82	20.93	20.96	20.98	21.01		

DUCTED COOLING PERFORMANCE 48HH (Sheet 4 of 4)

AIRFLOW (CFM)	OUTDOOR DB (°F)	ID WB (°F)	60.8				64.4				66.2				71.6			
			ID DB (°F)	73.4	77.0	80.6	84.2	73.4	77.0	80.6	84.2	73.4	77.0	80.0	84.20	73.4	77.0	80.6
1600	-22	TC	47923	47988	48041	48106	50804	50864	50924	50984	53839	53909	53979	54040	57085	57147	57218	57289
		S/T	0.48	0.56	0.64	0.73	0.51	0.60	0.68	0.77	0.54	0.63	0.72	0.82	0.57	0.67	0.76	0.87
		PI	2.41	2.41	2.41	2.42	2.55	2.55	2.56	2.56	2.70	2.71	2.71	2.71	2.87	2.87	2.87	2.88
	-10	TC	47326	47390	47443	47507	50170	50230	50289	50349	53168	53238	53307	53366	56374	56435	56505	56576
		S/T	0.48	0.57	0.64	0.73	0.51	0.60	0.68	0.78	0.54	0.64	0.72	0.82	0.57	0.67	0.77	0.87
		PI	2.58	2.59	2.59	2.59	2.74	2.74	2.74	2.75	2.90	2.90	2.91	2.91	3.08	3.08	3.08	3.09
	0	TC	46828	46891	46944	47007	49643	49702	49761	49820	52609	52678	52746	52805	55781	55842	55911	55981
		S/T	0.48	0.57	0.65	0.74	0.51	0.60	0.69	0.78	0.54	0.64	0.73	0.83	0.58	0.68	0.77	0.88
		PI	2.73	2.73	2.73	2.74	2.89	2.89	2.90	2.90	3.06	3.07	3.07	3.08	3.25	3.25	3.26	3.26
	5	TC	46580	46642	46695	46757	49379	49438	49496	49555	52330	52398	52466	52525	55485	55545	55614	55683
		S/T	0.49	0.57	0.65	0.74	0.52	0.60	0.69	0.78	0.55	0.64	0.73	0.83	0.58	0.68	0.77	0.88
		PI	2.80	2.80	2.81	2.81	2.97	2.97	2.98	2.98	3.15	3.15	3.15	3.16	3.34	3.34	3.34	3.35
	14	TC	46132	46194	46246	46308	48904	48962	49020	49078	51827	51894	51961	52019	54951	55011	55079	55148
		S/T	0.49	0.57	0.65	0.74	0.52	0.61	0.69	0.79	0.55	0.64	0.73	0.83	0.58	0.68	0.78	0.88
		PI	2.93	2.94	2.94	2.94	3.11	3.11	3.12	3.12	3.29	3.30	3.30	3.31	3.49	3.50	3.50	3.50
	17	TC	45982	46044	46096	46158	48746	48804	48862	48920	51659	51726	51793	51851	54773	54833	54901	54969
		S/T	0.49	0.57	0.65	0.74	0.52	0.61	0.69	0.79	0.55	0.65	0.73	0.84	0.58	0.68	0.78	0.89
		PI	2.98	2.98	2.98	2.99	3.15	3.16	3.16	3.17	3.34	3.35	3.35	3.36	3.54	3.55	3.55	3.56
	23	TC	45783	45845	45896	45958	48535	48593	48650	48708	51435	51502	51569	51627	54536	54595	54663	54731
		S/T	0.49	0.58	0.65	0.75	0.52	0.61	0.69	0.79	0.55	0.65	0.74	0.84	0.58	0.69	0.78	0.89
		PI	3.03	3.04	3.04	3.05	3.22	3.22	3.22	3.23	3.41	3.41	3.42	3.42	3.61	3.62	3.62	3.63
	32	TC	45485	45546	45597	45658	48219	48276	48333	48390	51100	51166	51233	51290	54180	54239	54307	54374
		S/T	0.49	0.58	0.66	0.75	0.52	0.61	0.70	0.80	0.55	0.65	0.74	0.84	0.59	0.69	0.78	0.89
		PI	3.12	3.13	3.13	3.13	3.31	3.31	3.32	3.32	3.51	3.51	3.52	3.52	3.72	3.72	3.73	3.73
	41	TC	45087	45147	45198	45259	47796	47853	47910	47967	50653	50718	50784	50841	53706	53765	53831	53898
		S/T	0.50	0.58	0.66	0.75	0.53	0.62	0.70	0.80	0.56	0.65	0.74	0.85	0.59	0.69	0.79	0.90
		PI	3.24	3.24	3.25	3.25	3.43	3.44	3.44	3.44	3.64	3.64	3.65	3.65	3.86	3.86	3.87	3.87
	47	TC	44788	44848	44899	44959	47480	47536	47593	47649	50317	50383	50448	50504	53350	53408	53475	53542
		S/T	0.50	0.58	0.66	0.76	0.53	0.62	0.70	0.80	0.56	0.66	0.74	0.85	0.59	0.69	0.79	0.90
		PI	3.33	3.33	3.33	3.34	3.53	3.53	3.53	3.54	3.74	3.74	3.75	3.75	3.96	3.97	3.97	3.98
	50	TC	44774	44834	44884	44945	47465	47521	47577	47634	50301	50366	50432	50488	53333	53391	53458	53524
		S/T	0.50	0.58	0.66	0.76	0.53	0.62	0.70	0.80	0.56	0.66	0.75	0.85	0.59	0.70	0.79	0.90
		PI	3.34	3.35	3.35	3.35	3.54	3.55	3.55	3.55	3.75	3.76	3.76	3.77	3.98	3.98	3.99	3.99
	59	TC	44731	44791	44841	44901	47419	47475	47531	47588	50253	50318	50383	50440	53282	53340	53406	53473
		S/T	0.50	0.59	0.67	0.76	0.53	0.62	0.71	0.81	0.56	0.66	0.75	0.86	0.60	0.70	0.80	0.91
		PI	3.39	3.39	3.40	3.40	3.59	3.60	3.60	3.61	3.81	3.81	3.82	3.82	4.04	4.04	4.05	4.05
	68	TC	44688	44748	44798	44858	47373	47429	47486	47542	50204	50269	50335	50391	53231	53289	53355	53421
		S/T	0.50	0.59	0.67	0.77	0.53	0.63	0.71	0.81	0.57	0.66	0.75	0.86	0.60	0.70	0.80	0.91
		PI	3.44	3.44	3.45	3.45	3.64	3.65	3.65	3.66	3.86	3.87	3.87	3.88	4.09	4.10	4.10	4.11
	77	TC	44644	44704	44755	44815	47328	47384	47440	47496	50156	50221	50286	50342	53179	53237	53303	53370
		S/T	0.52	0.61	0.69	0.79	0.55	0.64	0.73	0.83	0.58	0.68	0.77	0.88	0.62	0.72	0.82	0.94
		PI	3.48	3.49	3.49	3.50	3.69	3.70	3.70	3.71	3.91	3.92	3.92	3.93	4.15	4.15	4.16	4.17
	86	TC	42881	42939	42987	43045	45458	45512	45566	45620	48175	48237	48300	48354	51079	51135	51198	51262
		S/T	0.52	0.61	0.70	0.80	0.56	0.65	0.74	0.84	0.59	0.69	0.78	0.89	0.62	0.73	0.83	0.95
PI		3.97	3.97	3.98	3.98	4.20	4.21	4.21	4.22	4.45	4.46	4.47	4.47	4.72	4.73	4.73	4.74	
95	TC	42441	42498	42546	42603	44992	45045	45099	45152	47681	47742	47805	47858	50555	50610	50673	50736	
	S/T	0.54	0.63	0.72	0.82	0.57	0.67	0.76	0.87	0.60	0.71	0.80	0.92	0.64	0.75	0.85	0.97	
	PI	4.11	4.12	4.12	4.13	4.36	4.37	4.37	4.38	4.62	4.63	4.63	4.64	4.90	4.90	4.91	4.92	
104	TC	36443	36492	36533	36582	38634	38679	38725	38771	40942	40995	41049	41095	43410	43458	43512	43566	
	S/T	0.56	0.66	0.75	0.86	0.60	0.70	0.80	0.91	0.63	0.74	0.84	0.96	0.67	0.79	0.90	1.02	
	PI	8.63	8.65	8.66	8.67	9.15	9.16	9.17	9.19	9.70	9.71	9.72	9.74	10.28	10.30	10.31	10.32	
114.8	TC	29246	29285	29318	29358	31004	31040	31077	31114	32856	32899	32942	32979	34837	34875	34918	34962	
	S/T	0.57	0.67	0.76	0.87	0.60	0.71	0.81	0.92	0.64	0.75	0.85	0.97	0.68	0.80	0.91	1.03	
	PI	14.06	14.08	14.09	14.11	14.90	14.92	14.94	14.96	15.79	15.81	15.84	15.85	16.75	16.76	16.79	16.81	
122	TC	24448	24480	24508	24541	25917	25948	25978	26009	27466	27501	27537	27568	29121	29153	29189	29226	
	S/T	0.59	0.69	0.79	0.90	0.63	0.73	0.84	0.95	0.66	0.78	0.89	1.01	0.70	0.83	0.94	1.07	
	PI	17.68	17.70	17.72	17.74	18.74	18.76	18.78	18.80	19.86	19.88	19.91	19.93	21.05	21.08	21.10	21.13	

NOTE: Data highlighted in gray is extrapolated data and not actual test data. At 77°F outdoor conditions sweat protection activates causing a decrease in total capacity.

LEGEND

- TC - Total Net Capacity (Btu/hour)
- S/T: Sensible Cooling Capacity Ratio
- PI: Power Input (kW)
- Extrapolated Data

HEATING PERFORMANCE DUCTED

“HEATING PERFORMANCE 18R (STANDARD)” on page 111

“HEATING PERFORMANCE 36HH (HIGH HEAT)” on page 116

“HEATING PERFORMANCE 24HH (HIGH HEAT)” on page 113

“HEATING PERFORMANCE 48R (STANDARD)” on page 117

“HEATING PERFORMANCE 30HH (HIGH HEAT)” on page 114

“HEATING PERFORMANCE 48HH (HIGH HEAT)” on page 118

“HEATING PERFORMANCE 36R (STANDARD)” on page 115

HEATING PERFORMANCE 18R (STANDARD)

DUCTED HEATING PERFORMANCE 18R

AIRFLOW (CFM)	OUTDOOR DB (°F)	TC : Total Heating Capacity (BTU/hr)					PI : Power Input (kW)				
		Indoor Conditions (DB °F)					Indoor Conditions (DB °F)				
		60.8	68.0	70.0	71.6	75.2	60.8	68.0	70.00	71.6	75.2
250	-22.0	3903	3825	3806	3729	3696	2.31	2.32	2.33	2.33	2.34
	-10.0	4724	4630	4606	4514	4474	2.21	2.23	2.23	2.24	2.25
	0.0	5409	5300	5274	5168	5122	2.13	2.15	2.15	2.16	2.17
	5.0	5751	5636	5608	5495	5446	2.09	2.11	2.11	2.12	2.13
	14.0	6367	6239	6208	6084	6029	2.02	2.04	2.04	2.05	2.05
	17.0	6572	6441	6408	6280	6224	2.00	2.01	2.02	2.02	2.03
	22.0	6654	6521	6489	6359	6302	1.98	2.00	2.00	2.01	2.02
	27.0	6736	6602	6569	6437	6379	1.97	1.99	1.99	1.99	2.00
	32.0	6819	6682	6649	6516	6457	1.96	1.97	1.98	1.98	1.99
	37.0	7366	7219	7183	7039	6976	1.94	1.96	1.96	1.96	1.97
	42.0	8612	8440	8397	8229	8155	1.93	1.94	1.95	1.95	1.96
	44.6	9110	8928	8883	8706	8627	1.92	1.94	1.94	1.94	1.95
	47.0	9857	9660	9612	9420	9335	1.90	1.92	1.92	1.92	1.93
	52.0	11103	10881	10827	10610	10515	1.88	1.90	1.90	1.90	1.91
	57.0	12349	12102	12041	11800	11694	1.86	1.88	1.88	1.88	1.89
62.0	13594	13323	13256	12991	12874	1.84	1.86	1.86	1.86	1.87	
64.4	14093	13811	13742	13467	13346	1.83	1.85	1.85	1.86	1.86	
410	-22.0	6400	6272	6241	6116	6061	2.33	2.35	2.35	2.36	2.37
	-10.0	7747	7593	7555	7403	7337	2.23	2.25	2.26	2.26	2.27
	0.0	8870	8693	8649	8476	8400	2.15	2.17	2.17	2.18	2.19
	5.0	9431	9243	9196	9012	8931	2.11	2.13	2.13	2.14	2.15
	14.0	10441	10233	10181	9978	9888	2.04	2.06	2.06	2.07	2.07
	17.0	10778	10563	10510	10300	10207	2.02	2.03	2.04	2.04	2.05
	22.0	10913	10695	10641	10428	10335	2.00	2.02	2.02	2.03	2.04
	27.0	11048	10827	10773	10557	10462	1.99	2.01	2.01	2.01	2.02
	32.0	11182	10959	10904	10686	10590	1.98	1.99	2.00	2.00	2.01
	37.0	12080	11839	11780	11544	11440	1.96	1.98	1.98	1.98	1.99
	42.0	14123	13841	13772	13496	13375	1.95	1.96	1.97	1.97	1.98
	44.6	14940	14642	14568	14277	14149	1.94	1.95	1.96	1.96	1.97
	47.0	16166	15843	15764	15448	15309	1.92	1.94	1.94	1.94	1.95
	52.0	18209	17845	17756	17401	17244	1.90	1.92	1.92	1.92	1.93
	57.0	20252	19847	19748	19353	19179	1.88	1.90	1.90	1.90	1.91
62.0	22295	21849	21740	21305	21113	1.86	1.88	1.88	1.88	1.89	
64.4	23112	22650	22537	22086	21887	1.85	1.87	1.87	1.88	1.88	
630	-22.0	9548	9357	9311	9124	9042	2.35	2.37	2.38	2.38	2.39
	-10.0	11558	11327	11270	11045	10945	2.26	2.27	2.28	2.28	2.29
	0.0	13233	12968	12903	12645	12531	2.17	2.19	2.20	2.20	2.21
	5.0	14070	13788	13719	13445	13324	2.13	2.15	2.16	2.16	2.17
	14.0	15577	15265	15189	14885	14751	2.06	2.08	2.08	2.09	2.10
	17.0	16079	15758	15679	15365	15227	2.04	2.05	2.06	2.06	2.07
	22.0	16280	15955	15875	15557	15417	2.02	2.04	2.04	2.05	2.06
	27.0	16481	16152	16071	15749	15608	2.01	2.03	2.03	2.03	2.04
	32.0	16682	16349	16267	15941	15798	2.00	2.01	2.02	2.02	2.03
	37.0	18022	17661	17573	17222	17067	1.98	2.00	2.00	2.00	2.01
	42.0	21070	20648	20545	20134	19953	1.97	1.98	1.99	1.99	2.00
	44.6	22289	21843	21734	21299	21107	1.96	1.97	1.98	1.98	1.99
	47.0	24117	23635	23517	23046	22839	1.94	1.96	1.96	1.96	1.97
	52.0	27165	26622	26488	25959	25725	1.92	1.94	1.94	1.94	1.95
	57.0	30212	29608	29460	28871	28611	1.90	1.92	1.92	1.92	1.93
62.0	33260	32595	32432	31783	31497	1.88	1.89	1.90	1.90	1.91	
64.4	34479	33790	33621	32948	32652	1.87	1.89	1.89	1.89	1.90	

DUCTED HEATING PERFORMANCE 18R

AIRFLOW (CFM)	OUTDOOR DB (°F)	TC : Total Heating Capacity (BTU/hr)					PI : Power Input (kW)				
		Indoor Conditions (DB °F)					Indoor Conditions (DB °F)				
		60.8	68.0	70.0	71.6	75.2	60.8	68.0	70.00	71.6	75.2
640	-22.0	9417	9229	9183	8999	8918	2.38	2.40	2.40	2.41	2.41
	-10.0	11399	11171	11116	10893	10795	2.28	2.30	2.30	2.31	2.32
	0.0	13051	12790	12726	12472	12359	2.20	2.21	2.22	2.22	2.23
	5.0	13877	13599	13531	13261	13141	2.16	2.17	2.18	2.18	2.19
	14.0	15363	15056	14981	14681	14549	2.08	2.10	2.10	2.11	2.12
	17.0	15859	15542	15464	15155	15018	2.06	2.07	2.08	2.08	2.09
	22.0	16057	15736	15657	15344	15206	2.04	2.06	2.06	2.07	2.08
	27.0	16255	15930	15850	15533	15394	2.03	2.05	2.05	2.06	2.06
	32.0	16453	16124	16044	15723	15581	2.02	2.03	2.04	2.04	2.05
	37.0	17775	17419	17332	16985	16833	2.00	2.02	2.02	2.02	2.03
	42.0	20781	20365	20263	19858	19679	1.98	2.00	2.01	2.01	2.02
	44.6	21983	21543	21436	21007	20818	1.98	1.99	2.00	2.00	2.01
	47.0	23786	23311	23194	22730	22526	1.96	1.98	1.98	1.98	1.99
	52.0	26792	26256	26125	25603	25372	1.94	1.96	1.96	1.96	1.97
	57.0	29798	29202	29056	28475	28219	1.92	1.93	1.94	1.94	1.95
62.0	32804	32148	31987	31347	31065	1.90	1.91	1.92	1.92	1.93	
64.4	34006	33326	33160	32496	32204	1.89	1.91	1.91	1.91	1.92	

NOTE: Data highlighted in gray is extrapolated data and not actual test data.

HEATING PERFORMANCE DUCTED

HEATING PERFORMANCE 24HH (HIGH HEAT)

DUCTED HEATING PERFORMANCE 24HH

AIRFLOW (CFM)	OUTDOOR DB (°F)	TC : Total Heating Capacity (BTU/hr)					PI : Power Input (kW)				
		Indoor Conditions (DB °F)					Indoor Conditions (DB °F)				
		60.8	68.0	70.0	71.6	75.2	60.8	68.0	70.00	71.6	75.2
375	-22.0	5812	5695	5667	5554	5504	3.58	3.61	3.61	3.62	3.64
	-10.0	6880	6742	6708	6574	6515	3.34	3.37	3.37	3.38	3.39
	0.0	7770	7614	7576	7425	7358	3.14	3.17	3.17	3.18	3.19
	5.0	8215	8050	8010	7850	7779	3.04	3.07	3.07	3.08	3.09
	14.0	9016	8835	8791	8615	8538	2.86	2.89	2.89	2.90	2.91
	17.0	9283	9097	9052	8871	8791	2.81	2.83	2.83	2.84	2.85
	22.0	9507	9317	9271	9085	9003	2.80	2.82	2.83	2.83	2.84
	27.0	9732	9537	9490	9300	9216	2.79	2.81	2.82	2.82	2.83
	32.0	9957	9758	9709	9515	9429	2.78	2.80	2.81	2.82	2.83
	37.0	10737	10522	10470	10260	10168	2.77	2.80	2.80	2.81	2.82
	42.0	12351	12104	12044	11803	11697	2.77	2.79	2.80	2.80	2.81
	44.6	12997	12737	12673	12420	12308	2.76	2.79	2.79	2.80	2.81
	47.0	13965	13686	13618	13345	13225	2.76	2.78	2.79	2.79	2.80
	52.0	15580	15268	15192	14888	14754	2.75	2.77	2.78	2.78	2.79
	57.0	17194	16850	16766	16430	16283	2.74	2.76	2.77	2.77	2.79
62.0	18808	18432	18340	17973	17811	2.73	2.76	2.76	2.77	2.78	
64.4	19454	19065	18969	18590	18423	2.73	2.75	2.76	2.76	2.77	
615	-22.0	9531	9341	9294	9108	9026	3.61	3.64	3.65	3.66	3.67
	-10.0	11283	11057	11002	10782	10685	3.37	3.40	3.41	3.41	3.43
	0.0	12742	12488	12425	12177	12067	3.17	3.20	3.21	3.21	3.23
	5.0	13472	13203	13137	12874	12758	3.07	3.10	3.10	3.11	3.12
	14.0	14786	14490	14418	14129	14002	2.89	2.92	2.92	2.93	2.94
	17.0	15224	14919	14845	14548	14417	2.83	2.86	2.86	2.87	2.88
	22.0	15592	15280	15204	14900	14766	2.83	2.85	2.85	2.86	2.87
	27.0	15961	15641	15563	15252	15115	2.82	2.84	2.85	2.85	2.86
	32.0	16329	16002	15922	15604	15464	2.81	2.83	2.84	2.84	2.85
	37.0	17609	17257	17170	16827	16676	2.80	2.82	2.83	2.84	2.85
	42.0	20256	19851	19752	19357	19183	2.80	2.82	2.82	2.83	2.84
	44.6	21315	20889	20784	20369	20185	2.79	2.82	2.82	2.83	2.84
	47.0	22903	22445	22333	21886	21689	2.79	2.81	2.81	2.82	2.83
	52.0	25551	25040	24914	24416	24196	2.78	2.80	2.81	2.81	2.82
	57.0	28198	27634	27496	26946	26703	2.77	2.79	2.80	2.80	2.81
62.0	30845	30228	30077	29476	29210	2.76	2.78	2.79	2.79	2.81	
64.4	31904	31266	31110	30487	30213	2.76	2.78	2.79	2.79	2.80	
945	-22.0	14219	13935	13865	13588	13465	3.65	3.68	3.69	3.69	3.71
	-10.0	16832	16495	16413	16085	15940	3.41	3.44	3.44	3.45	3.46
	0.0	19009	18629	18536	18165	18002	3.21	3.23	3.24	3.24	3.26
	5.0	20098	19696	19598	19206	19033	3.10	3.13	3.14	3.14	3.15
	14.0	22058	21617	21509	21079	20889	2.92	2.95	2.95	2.96	2.97
	17.0	22711	22257	22146	21703	21507	2.86	2.89	2.89	2.90	2.91
	22.0	23261	22796	22682	22228	22028	2.85	2.88	2.88	2.89	2.90
	27.0	23810	23334	23218	22753	22548	2.85	2.87	2.87	2.88	2.89
	32.0	24360	23873	23754	23278	23069	2.84	2.86	2.87	2.87	2.88
	37.0	26270	25744	25615	25103	24877	2.83	2.85	2.86	2.86	2.88
	42.0	30219	29614	29466	28877	28617	2.82	2.85	2.85	2.86	2.87
	44.6	31798	31162	31007	30387	30113	2.82	2.84	2.85	2.86	2.87
	47.0	34168	33485	33317	32651	32357	2.81	2.84	2.84	2.85	2.86
	52.0	38117	37355	37168	36425	36097	2.81	2.83	2.83	2.84	2.85
	57.0	42066	41225	41019	40199	39837	2.80	2.82	2.83	2.83	2.84
62.0	46016	45095	44870	43973	43577	2.79	2.81	2.82	2.82	2.83	
64.4	47595	46643	46410	45482	45073	2.79	2.81	2.81	2.82	2.83	
960	-22.0	14024	13743	13675	13401	13281	3.69	3.72	3.72	3.73	3.75
	-10.0	16601	16269	16188	15864	15721	3.44	3.47	3.48	3.48	3.50
	0.0	18749	18374	18282	17916	17755	3.24	3.26	3.27	3.28	3.29
	5.0	19823	19426	19329	18942	18772	3.14	3.16	3.17	3.17	3.19
	14.0	21755	21320	21214	20789	20602	2.95	2.98	2.98	2.99	3.00
	17.0	22400	21952	21842	21405	21212	2.89	2.91	2.92	2.93	2.94
	22.0	22942	22483	22371	21923	21726	2.88	2.91	2.91	2.92	2.93
	27.0	23484	23014	22899	22441	22239	2.87	2.90	2.90	2.91	2.92
	32.0	24026	23545	23428	22959	22753	2.87	2.89	2.90	2.90	2.91
	37.0	25909	25391	25264	24759	24536	2.86	2.88	2.89	2.89	2.90
	42.0	29804	29208	29062	28481	28225	2.85	2.87	2.88	2.89	2.90
	44.6	31362	30735	30581	29970	29700	2.85	2.87	2.88	2.88	2.90
	47.0	33699	33025	32860	32203	31913	2.84	2.86	2.87	2.88	2.89
	52.0	37594	36843	36658	35925	35602	2.83	2.86	2.86	2.87	2.88
	57.0	41490	40660	40456	39647	39290	2.83	2.85	2.85	2.86	2.87
62.0	45385	44477	44255	43369	42979	2.82	2.84	2.85	2.85	2.86	
64.4	46943	46004	45774	44858	44455	2.81	2.84	2.84	2.85	2.86	

NOTE: Data highlighted in gray is extrapolated data and not actual test data.

HEATING PERFORMANCE DUCTED

HEATING PERFORMANCE 30HH (HIGH HEAT)

DUCTED HEATING PERFORMANCE 30HH

AIRFLOW (CFM)	OUTDOOR DB (°F)	TC : Total Heating Capacity (BTU/hr)					PI : Power Input (kW)				
		Indoor Conditions (DB °F)					Indoor Conditions (DB °F)				
		60.8	68.0	70.0	71.6	75.2	60.8	68.0	70.00	71.6	75.2
500	-22.0	5340	5233	5207	5103	5057	3.46	3.49	3.49	3.50	3.52
	-10.0	6877	6740	6706	6572	6513	3.43	3.45	3.46	3.47	3.48
	0.0	8158	7995	7955	7796	7725	3.40	3.43	3.43	3.44	3.46
	5.0	8798	8622	8579	8408	8332	3.39	3.41	3.42	3.43	3.44
	14.0	9951	9752	9703	9509	9423	3.36	3.39	3.40	3.40	3.42
	17.0	10335	10128	10078	9876	9787	3.35	3.38	3.39	3.39	3.41
	22.0	10773	10558	10505	10295	10202	3.35	3.37	3.38	3.39	3.40
	27.0	11212	10988	10933	10714	10618	3.34	3.37	3.37	3.38	3.39
	32.0	11650	11417	11360	11133	11033	3.33	3.36	3.37	3.37	3.39
	37.0	12488	12239	12177	11934	11826	3.33	3.35	3.36	3.37	3.38
	42.0	13925	13647	13579	13307	13187	3.32	3.35	3.36	3.36	3.38
	44.6	14500	14210	14139	13856	13732	3.32	3.35	3.35	3.36	3.37
	47.0	15363	15055	14980	14680	14548	3.31	3.34	3.35	3.35	3.37
	52.0	16800	16464	16381	16054	15909	3.31	3.33	3.34	3.35	3.36
	57.0	18237	17872	17783	17427	17270	3.30	3.33	3.33	3.34	3.35
	62.0	19674	19280	19184	18800	18631	3.29	3.32	3.33	3.33	3.35
64.4	20249	19844	19744	19350	19175	3.29	3.32	3.32	3.33	3.34	
820	-22.0	8758	8583	8540	8369	8294	3.49	3.52	3.53	3.54	3.55
	-10.0	11278	11053	10998	10778	10681	3.46	3.49	3.50	3.50	3.52
	0.0	13379	13111	13046	12785	12670	3.43	3.46	3.47	3.48	3.49
	5.0	14429	14140	14070	13788	13664	3.42	3.45	3.46	3.46	3.48
	14.0	16319	15993	15913	15595	15454	3.40	3.42	3.43	3.44	3.45
	17.0	16949	16610	16527	16197	16051	3.39	3.42	3.42	3.43	3.44
	22.0	17669	17315	17229	16884	16732	3.38	3.41	3.42	3.42	3.44
	27.0	18388	18020	17930	17571	17413	3.37	3.40	3.41	3.42	3.43
	32.0	19107	18725	18631	18258	18094	3.37	3.39	3.40	3.41	3.42
	37.0	20481	20071	19971	19572	19395	3.36	3.39	3.39	3.40	3.42
	42.0	22838	22381	22269	21824	21627	3.36	3.38	3.39	3.40	3.41
	44.6	23780	23305	23188	22725	22520	3.35	3.38	3.39	3.39	3.41
	47.0	25195	24691	24567	24076	23859	3.35	3.37	3.38	3.39	3.40
	52.0	27551	27000	26865	26328	26091	3.34	3.37	3.37	3.38	3.39
	57.0	29908	29310	29163	28580	28323	3.33	3.36	3.37	3.37	3.39
	62.0	32265	31620	31462	30832	30555	3.33	3.35	3.36	3.37	3.38
64.4	33208	32544	32381	31733	31448	3.32	3.35	3.36	3.36	3.38	
1260	-22.0	13065	12804	12740	12485	12373	3.53	3.56	3.57	3.57	3.59
	-10.0	16826	16489	16407	16078	15934	3.50	3.52	3.53	3.54	3.55
	0.0	19959	19560	19462	19073	18901	3.47	3.50	3.50	3.51	3.53
	5.0	21526	21095	20990	20570	20385	3.46	3.48	3.49	3.50	3.51
	14.0	24346	23859	23739	23265	23055	3.43	3.46	3.47	3.47	3.49
	17.0	25286	24780	24656	24163	23945	3.42	3.45	3.46	3.46	3.48
	22.0	26358	25831	25702	25188	24961	3.42	3.44	3.45	3.46	3.47
	27.0	27431	26883	26748	26213	25977	3.41	3.44	3.44	3.45	3.46
	32.0	28504	27934	27794	27238	26993	3.40	3.43	3.44	3.44	3.46
	37.0	30554	29943	29793	29197	28935	3.39	3.42	3.43	3.44	3.45
	42.0	34070	33389	33222	32557	32264	3.39	3.42	3.42	3.43	3.44
	44.6	35476	34767	34593	33901	33596	3.39	3.41	3.42	3.43	3.44
	47.0	37586	36834	36650	35917	35594	3.38	3.41	3.42	3.42	3.44
	52.0	41102	40280	40079	39277	38923	3.37	3.40	3.41	3.42	3.43
	57.0	44618	43726	43507	42637	42253	3.37	3.39	3.40	3.41	3.42
	62.0	48134	47171	46935	45997	45583	3.36	3.39	3.39	3.40	3.41
64.4	49540	48549	48307	47341	46914	3.36	3.38	3.39	3.40	3.41	
1280	-22.0	12886	12629	12565	12314	12203	3.56	3.59	3.60	3.61	3.62
	-10.0	16595	16263	16182	15858	15715	3.53	3.56	3.57	3.57	3.59
	0.0	19685	19291	19195	18811	18642	3.50	3.53	3.54	3.55	3.56
	5.0	21230	20806	20702	20288	20105	3.49	3.52	3.53	3.53	3.55
	14.0	24012	23532	23414	22946	22739	3.46	3.49	3.50	3.51	3.52
	17.0	24939	24440	24318	23832	23617	3.46	3.48	3.49	3.50	3.51
	22.0	25997	25477	25350	24843	24619	3.45	3.48	3.48	3.49	3.51
	27.0	27055	26514	26381	25854	25621	3.44	3.47	3.48	3.48	3.50
	32.0	28113	27551	27413	26865	26623	3.44	3.46	3.47	3.48	3.49
	37.0	30135	29532	29385	28797	28538	3.43	3.46	3.46	3.47	3.48
	42.0	33603	32931	32766	32111	31822	3.42	3.45	3.46	3.47	3.48
	44.6	34990	34290	34119	33436	33135	3.42	3.45	3.46	3.46	3.48
	47.0	37070	36329	36147	35424	35106	3.41	3.44	3.45	3.46	3.47
	52.0	40538	39727	39529	38738	38390	3.41	3.44	3.44	3.45	3.46
	57.0	44006	43126	42910	42052	41674	3.40	3.43	3.44	3.44	3.46
	62.0	47474	46524	46292	45366	44957	3.39	3.42	3.43	3.44	3.45
64.4	48861	47884	47644	46691	46271	3.39	3.42	3.43	3.43	3.45	

NOTE: Data highlighted in gray is extrapolated data and not actual test data.

HEATING PERFORMANCE DUCTED

HEATING PERFORMANCE 36R (STANDARD)

DUCTED HEATING PERFORMANCE 36R

AIRFLOW (CFM)	OUTDOOR DB (°F)	TC : Total Heating Capacity (BTU/hr)					PI : Power Input (kW)				
		Indoor Conditions (DB °F)					Indoor Conditions (DB °F)				
		60.8	68.0	70.0	71.6	75.2	60.8	68.0	70.00	71.6	75.2
500	-22.0	6283	6157	6126	6004	5950	4.07	4.10	4.11	4.12	4.14
	-10.0	8091	7929	7889	7731	7662	4.03	4.06	4.07	4.08	4.10
	0.0	9597	9405	9358	9171	9089	4.00	4.03	4.04	4.05	4.06
	5.0	10351	10144	10093	9891	9802	3.98	4.02	4.02	4.03	4.05
	14.0	11707	11473	11415	11187	11086	3.96	3.99	4.00	4.00	4.02
	17.0	12159	11916	11856	11619	11514	3.95	3.98	3.99	3.99	4.01
	22.0	12675	12421	12359	12112	12003	3.94	3.97	3.98	3.99	4.00
	27.0	13191	12927	12862	12605	12491	3.93	3.96	3.97	3.98	3.99
	32.0	13706	13432	13365	13098	12980	3.92	3.95	3.96	3.97	3.99
	37.0	14692	14398	14326	14040	13913	3.91	3.95	3.95	3.96	3.98
	42.0	16383	16055	15975	15655	15515	3.91	3.94	3.95	3.96	3.97
	44.6	17059	16718	16634	16302	16155	3.91	3.94	3.95	3.95	3.97
	47.0	18074	17712	17624	17271	17116	3.90	3.93	3.94	3.95	3.96
	52.0	19764	19369	19272	18887	18717	3.89	3.92	3.93	3.94	3.95
	57.0	21455	21026	20921	20502	20318	3.88	3.91	3.92	3.93	3.95
62.0	23146	22683	22569	22118	21919	3.87	3.91	3.91	3.92	3.94	
64.4	23822	23345	23229	22764	22559	3.87	3.90	3.91	3.92	3.93	
820	-22.0	10304	10097	10047	9846	9757	4.11	4.14	4.15	4.16	4.18
	-10.0	13269	13003	12938	12680	12565	4.07	4.11	4.11	4.12	4.14
	0.0	15740	15425	15348	15041	14906	4.04	4.07	4.08	4.09	4.11
	5.0	16975	16636	16553	16222	16076	4.02	4.06	4.07	4.07	4.09
	14.0	19199	18815	18721	18347	18182	4.00	4.03	4.04	4.04	4.06
	17.0	19940	19542	19444	19055	18884	3.99	4.02	4.03	4.03	4.05
	22.0	20787	20371	20269	19864	19685	3.98	4.01	4.02	4.03	4.04
	27.0	21633	21200	21094	20672	20486	3.97	4.00	4.01	4.02	4.03
	32.0	22479	22029	21919	21480	21287	3.96	3.99	4.00	4.01	4.03
	37.0	24095	23613	23495	23025	22818	3.95	3.99	3.99	4.00	4.02
	42.0	26868	26331	26199	25675	25444	3.95	3.98	3.99	4.00	4.01
	44.6	27977	27417	27280	26735	26494	3.95	3.98	3.99	3.99	4.01
	47.0	29641	29048	28903	28325	28070	3.94	3.97	3.98	3.99	4.00
	52.0	32413	31765	31606	30974	30695	3.93	3.96	3.97	3.98	3.99
	57.0	35186	34482	34310	33624	33321	3.92	3.95	3.96	3.97	3.99
62.0	37959	37200	37014	36273	35947	3.91	3.95	3.95	3.96	3.98	
64.4	39068	38286	38095	37333	36997	3.91	3.94	3.95	3.96	3.97	
1260	-22.0	15371	15064	14988	14689	14556	4.15	4.19	4.19	4.20	4.22
	-10.0	19795	19399	19302	18916	18746	4.11	4.15	4.16	4.16	4.18
	0.0	23481	23011	22896	22438	22237	4.08	4.11	4.12	4.13	4.15
	5.0	25324	24818	24694	24200	23982	4.07	4.10	4.11	4.11	4.13
	14.0	28642	28069	27929	27370	27124	4.04	4.07	4.08	4.08	4.10
	17.0	29748	29153	29007	28427	28171	4.03	4.06	4.07	4.08	4.09
	22.0	31010	30390	30238	29633	29366	4.02	4.05	4.06	4.07	4.08
	27.0	32272	31627	31468	30839	30562	4.01	4.04	4.05	4.06	4.08
	32.0	33534	32864	32699	32045	31757	4.00	4.03	4.04	4.05	4.07
	37.0	35946	35227	35051	34350	34041	3.99	4.03	4.03	4.04	4.06
	42.0	40082	39281	39084	38303	37958	3.99	4.02	4.03	4.04	4.05
	44.6	41737	40902	40698	39884	39525	3.99	4.02	4.03	4.03	4.05
	47.0	44219	43334	43118	42255	41875	3.98	4.01	4.02	4.03	4.04
	52.0	48355	47388	47151	46208	45792	3.97	4.00	4.01	4.02	4.03
	57.0	52492	51442	51185	50161	49709	3.96	3.99	4.00	4.01	4.03
62.0	56628	55495	55218	54114	53627	3.95	3.99	3.99	4.00	4.02	
64.4	58283	57117	56831	55695	55194	3.95	3.98	3.99	4.00	4.01	
1280	-22.0	15160	14857	14783	14487	14357	4.19	4.23	4.24	4.24	4.26
	-10.0	19523	19133	19037	18656	18488	4.15	4.19	4.20	4.21	4.22
	0.0	23159	22696	22582	22131	21932	4.12	4.16	4.16	4.17	4.19
	5.0	24977	24477	24355	23868	23653	4.11	4.14	4.15	4.16	4.17
	14.0	28249	27684	27546	26995	26752	4.08	4.11	4.12	4.13	4.14
	17.0	29340	28753	28609	28037	27785	4.07	4.10	4.11	4.12	4.13
	22.0	30585	29973	29823	29227	28964	4.06	4.09	4.10	4.11	4.12
	27.0	31829	31193	31037	30416	30142	4.05	4.08	4.09	4.10	4.12
	32.0	33074	32413	32251	31606	31321	4.04	4.07	4.08	4.09	4.11
	37.0	35453	34744	34570	33879	33574	4.03	4.07	4.07	4.08	4.10
	42.0	39533	38742	38548	37777	37437	4.03	4.06	4.07	4.08	4.09
	44.6	41165	40341	40140	39337	38983	4.02	4.06	4.07	4.07	4.09
	47.0	43612	42740	42526	41676	41301	4.02	4.05	4.06	4.07	4.08
	52.0	47692	46738	46504	45574	45164	4.01	4.04	4.05	4.06	4.07
	57.0	51772	50736	50483	49473	49028	4.00	4.03	4.04	4.05	4.07
62.0	55851	54734	54461	53371	52891	3.99	4.03	4.03	4.04	4.06	
64.4	57483	56334	56052	54931	54436	3.99	4.02	4.03	4.04	4.05	

NOTE: Data highlighted in gray is extrapolated data and not actual test data.

Manufacturer reserves the right to change, at any time, specifications and designs without notice and without obligations.

HEATING PERFORMANCE DUCTED

HEATING PERFORMANCE 36HH (HIGH HEAT)

DUCTED HEATING PERFORMANCE 36HH

AIRFLOW (CFM)	OUTDOOR DB (°F)	TC : Total Heating Capacity (BTU/hr)					PI : Power Input (kW)				
		Indoor Conditions (DB °F)					Indoor Conditions (DB °F)				
		60.8	68.0	70.0	71.6	75.2	60.8	68.0	70.0	71.6	75.2
500	-22.0	13998	13718	13650	13377	13256	5.81	5.86	5.87	5.88	5.91
	-10.0	14349	14062	13992	13712	13588	5.57	5.62	5.63	5.64	5.66
	0.0	14641	14348	14276	13991	13865	5.38	5.42	5.43	5.44	5.46
	5.0	14787	14491	14419	14130	14003	5.28	5.32	5.33	5.34	5.36
	14.0	15050	14749	14675	14381	14252	5.10	5.14	5.15	5.16	5.18
	17.0	15137	14834	14760	14465	14335	5.04	5.08	5.09	5.10	5.12
	22.0	15215	14911	14836	14540	14409	4.96	5.00	5.01	5.02	5.04
	27.0	15293	14987	14912	14614	14482	4.88	4.92	4.93	4.94	4.96
	32.0	15371	15063	14988	14688	14556	4.80	4.84	4.85	4.86	4.88
	37.0	15860	15543	15465	15156	15020	4.68	4.71	4.72	4.73	4.75
	42.0	16967	16628	16544	16214	16068	4.52	4.56	4.57	4.58	4.60
	44.6	17410	17061	16976	16637	16487	4.46	4.49	4.50	4.51	4.53
	47.0	18074	17712	17624	17271	17116	4.28	4.31	4.32	4.33	4.35
	52.0	19180	18797	18703	18329	18164	4.08	4.11	4.12	4.13	4.15
	57.0	20287	19881	19782	19386	19212	3.88	3.91	3.92	3.93	3.95
	62.0	21394	20966	20861	20444	20260	3.68	3.71	3.72	3.73	3.74
64.4	21836	21400	21293	20867	20679	3.61	3.63	3.64	3.65	3.66	
820	-22.0	22957	22498	22386	21938	21741	5.87	5.92	5.93	5.94	5.97
	-10.0	23532	23061	22946	22487	22285	5.63	5.68	5.69	5.70	5.72
	0.0	24011	23531	23413	22945	22738	5.43	5.47	5.49	5.50	5.52
	5.0	24250	23765	23647	23174	22965	5.33	5.37	5.38	5.40	5.42
	14.0	24681	24188	24067	23585	23373	5.15	5.19	5.20	5.21	5.23
	17.0	24825	24329	24207	23723	23509	5.09	5.13	5.14	5.15	5.17
	22.0	24953	24454	24331	23845	23630	5.01	5.05	5.06	5.07	5.09
	27.0	25080	24579	24456	23967	23751	4.93	4.97	4.98	4.99	5.01
	32.0	25208	24704	24580	24089	23872	4.85	4.89	4.90	4.91	4.93
	37.0	26011	25491	25363	24856	24632	4.72	4.76	4.77	4.78	4.80
	42.0	27826	27269	27133	26590	26351	4.57	4.61	4.62	4.62	4.64
	44.6	28552	27981	27841	27284	27038	4.50	4.54	4.55	4.56	4.58
	47.0	29641	29048	28903	28325	28070	4.32	4.36	4.37	4.37	4.39
	52.0	31456	30826	30672	30059	29788	4.12	4.16	4.16	4.17	4.19
	57.0	33271	32605	32442	31793	31507	3.92	3.95	3.96	3.97	3.99
	62.0	35086	34384	34212	33528	33226	3.72	3.75	3.76	3.77	3.78
64.4	35811	35095	34920	34221	33913	3.64	3.67	3.68	3.69	3.70	
1260	-22.0	34249	33564	33396	32728	32433	5.93	5.98	5.99	6.00	6.03
	-10.0	35106	34404	34232	33547	33245	5.69	5.73	5.75	5.76	5.78
	0.0	35820	35104	34928	34230	33922	5.49	5.53	5.54	5.55	5.57
	5.0	36177	35454	35277	34571	34260	5.38	5.43	5.44	5.45	5.47
	14.0	36820	36084	35904	35186	34869	5.20	5.24	5.26	5.27	5.29
	17.0	37035	36294	36113	35390	35072	5.14	5.18	5.19	5.20	5.23
	22.0	37225	36481	36298	35572	35252	5.06	5.10	5.11	5.12	5.14
	27.0	37416	36667	36484	35754	35433	4.98	5.02	5.03	5.04	5.06
	32.0	37606	36854	36670	35937	35613	4.90	4.94	4.95	4.96	4.98
	37.0	38804	38028	37837	37081	36747	4.77	4.81	4.82	4.83	4.85
	42.0	41511	40681	40478	39668	39311	4.62	4.65	4.66	4.67	4.69
	44.6	42594	41742	41534	40703	40337	4.55	4.58	4.59	4.60	4.62
	47.0	44219	43334	43118	42255	41875	4.37	4.40	4.41	4.42	4.44
	52.0	46926	45988	45758	44843	44439	4.16	4.20	4.21	4.21	4.23
	57.0	49634	48641	48398	47430	47003	3.96	3.99	4.00	4.01	4.03
	62.0	52342	51295	51038	50018	49567	3.76	3.79	3.80	3.81	3.82
64.4	53425	52356	52094	51052	50593	3.68	3.71	3.72	3.72	3.74	
1280	-22.0	33779	33103	32938	32279	31988	5.99	6.04	6.05	6.06	6.09
	-10.0	34624	33932	33762	33087	32789	5.74	5.79	5.80	5.81	5.84
	0.0	35329	34622	34449	33760	33456	5.54	5.59	5.60	5.61	5.63
	5.0	35681	34968	34793	34097	33790	5.44	5.48	5.49	5.50	5.53
	14.0	36315	35589	35411	34703	34391	5.25	5.30	5.31	5.32	5.34
	17.0	36527	35796	35617	34905	34591	5.19	5.24	5.25	5.26	5.28
	22.0	36715	35980	35801	35085	34769	5.11	5.15	5.16	5.17	5.19
	27.0	36903	36165	35984	35264	34947	5.03	5.07	5.08	5.09	5.11
	32.0	37091	36349	36167	35444	35125	4.95	4.99	5.00	5.01	5.03
	37.0	38271	37506	37318	36572	36243	4.82	4.86	4.87	4.88	4.90
	42.0	40942	40123	39922	39124	38772	4.66	4.70	4.71	4.72	4.74
	44.6	42010	41170	40964	40145	39783	4.59	4.63	4.64	4.65	4.67
	47.0	43612	42740	42526	41676	41301	4.41	4.45	4.45	4.46	4.48
	52.0	46283	45357	45130	44228	43830	4.21	4.24	4.25	4.26	4.27
	57.0	48953	47974	47734	46780	46359	4.00	4.03	4.04	4.05	4.07
	62.0	51624	50591	50338	49332	48888	3.80	3.83	3.84	3.84	3.86
64.4	52692	51638	51380	50352	49899	3.72	3.75	3.75	3.76	3.78	

NOTE: Data highlighted in gray is extrapolated data and not actual test data.

Manufacturer reserves the right to change, at any time, specifications and designs without notice and without obligations.

HEATING PERFORMANCE DUCTED

HEATING PERFORMANCE 48R (STANDARD)

DUCTED HEATING PERFORMANCE 48R

AIRFLOW (CFM)	OUTDOOR DB (°F)	TC : Total Heating Capacity (BTU/hr)					PI : Power Input (kW)				
		Indoor Conditions (DB °F)					Indoor Conditions (DB °F)				
		60.8	68.0	70.0	71.6	75.2	60.8	68.0	70.00	71.6	75.2
625	-22.0	9856	9659	9610	9418	9333	5.90	5.95	5.96	5.97	5.99
	-10.0	11500	11270	11213	10989	10890	5.55	5.59	5.60	5.61	5.64
	0.0	12870	12612	12549	12298	12188	5.25	5.30	5.31	5.32	5.34
	5.0	13555	13284	13217	12953	12836	5.11	5.15	5.16	5.17	5.19
	14.0	14788	14492	14420	14131	14004	4.84	4.88	4.89	4.90	4.92
	17.0	15199	14895	14820	14524	14393	4.75	4.79	4.80	4.81	4.83
	22.0	15454	15145	15069	14768	14635	4.73	4.77	4.78	4.79	4.80
	27.0	15710	15396	15319	15012	14877	4.70	4.74	4.75	4.76	4.78
	32.0	15965	15646	15568	15256	15119	4.68	4.71	4.72	4.73	4.75
	37.0	16992	16652	16569	16238	16091	4.64	4.68	4.69	4.70	4.72
	42.0	19176	18793	18699	18325	18160	4.61	4.65	4.66	4.67	4.69
	44.6	20050	19649	19551	19160	18987	4.60	4.64	4.65	4.66	4.67
	47.0	21360	20933	20828	20412	20228	4.56	4.60	4.61	4.62	4.64
	52.0	23544	23074	22958	22499	22297	4.52	4.56	4.57	4.58	4.60
	57.0	25729	25214	25088	24586	24365	4.49	4.52	4.53	4.54	4.56
62.0	27913	27355	27218	26673	26433	4.45	4.48	4.49	4.50	4.52	
64.4	28786	28211	28070	27508	27261	4.43	4.47	4.47	4.48	4.50	
1025	-22.0	16163	15840	15761	15446	15307	5.96	6.01	6.02	6.03	6.05
	-10.0	18860	18482	18390	18022	17860	5.60	5.65	5.66	5.67	5.69
	0.0	21106	20684	20581	20169	19988	5.31	5.35	5.36	5.37	5.39
	5.0	22230	21785	21676	21243	21052	5.16	5.20	5.21	5.22	5.24
	14.0	24252	23767	23648	23175	22967	4.89	4.93	4.94	4.95	4.97
	17.0	24926	24428	24306	23819	23605	4.80	4.84	4.85	4.86	4.88
	22.0	25345	24838	24714	24220	24002	4.78	4.81	4.82	4.83	4.85
	27.0	25764	25249	25122	24620	24398	4.75	4.79	4.80	4.81	4.83
	32.0	26183	25659	25531	25020	24795	4.72	4.76	4.77	4.78	4.80
	37.0	27867	27310	27173	26630	26390	4.69	4.73	4.74	4.75	4.77
	42.0	31449	30820	30666	30053	29782	4.66	4.70	4.71	4.72	4.74
	44.6	32882	32224	32063	31422	31139	4.65	4.68	4.69	4.70	4.72
	47.0	35031	34330	34159	33475	33174	4.61	4.65	4.66	4.67	4.69
	52.0	38613	37841	37651	36898	36566	4.57	4.61	4.62	4.63	4.64
	57.0	42195	41351	41144	40321	39959	4.53	4.57	4.58	4.59	4.60
62.0	45777	44861	44637	43744	43351	4.49	4.53	4.54	4.54	4.56	
64.4	47210	46266	46034	45114	44708	4.47	4.51	4.52	4.53	4.55	
1575	-22.0	24113	23631	23512	23042	22835	6.02	6.07	6.08	6.09	6.12
	-10.0	28135	27573	27435	26886	26644	5.66	5.70	5.72	5.73	5.75
	0.0	31487	30858	30703	30089	29818	5.36	5.40	5.41	5.42	5.45
	5.0	33163	32500	32338	31691	31406	5.21	5.25	5.26	5.27	5.29
	14.0	36180	35456	35279	34574	34262	4.94	4.98	4.99	5.00	5.02
	17.0	37186	36442	36260	35535	35215	4.85	4.89	4.90	4.91	4.93
	22.0	37811	37054	36869	36132	35806	4.82	4.86	4.87	4.88	4.90
	27.0	38435	37667	37478	36729	36398	4.80	4.84	4.85	4.86	4.87
	32.0	39060	38279	38088	37326	36990	4.77	4.81	4.82	4.83	4.85
	37.0	41573	40741	40538	39727	39369	4.74	4.78	4.79	4.80	4.81
	42.0	46916	45978	45748	44833	44430	4.71	4.74	4.75	4.76	4.78
	44.6	49054	48073	47832	46876	46454	4.69	4.73	4.74	4.75	4.77
	47.0	52260	51215	50959	49940	49490	4.66	4.69	4.70	4.71	4.73
	52.0	57604	56452	56170	55046	54551	4.62	4.65	4.66	4.67	4.69
	57.0	62948	61689	61380	60153	59611	4.58	4.61	4.62	4.63	4.65
62.0	68291	66926	66591	65259	64672	4.54	4.57	4.58	4.59	4.61	
64.4	70429	69020	68675	67302	66696	4.52	4.56	4.57	4.57	4.59	
1600	-22.0	23782	23307	23190	22726	22522	6.08	6.13	6.14	6.15	6.18
	-10.0	27749	27194	27058	26517	26279	5.72	5.76	5.77	5.78	5.81
	0.0	31055	30434	30282	29676	29409	5.41	5.46	5.47	5.48	5.50
	5.0	32708	32054	31894	31256	30975	5.26	5.30	5.32	5.33	5.35
	14.0	35684	34970	34795	34099	33793	4.99	5.03	5.04	5.05	5.07
	17.0	36676	35942	35762	35047	34732	4.90	4.94	4.95	4.96	4.98
	22.0	37292	36546	36363	35636	35315	4.87	4.91	4.92	4.93	4.95
	27.0	37908	37150	36964	36225	35899	4.85	4.88	4.89	4.90	4.92
	32.0	38525	37754	37565	36814	36483	4.82	4.86	4.87	4.88	4.90
	37.0	41002	40182	39982	39182	38829	4.79	4.82	4.83	4.84	4.86
	42.0	46273	45347	45121	44218	43820	4.75	4.79	4.80	4.81	4.83
	44.6	48381	47414	47176	46233	45817	4.74	4.78	4.79	4.80	4.82
	47.0	51543	50513	50260	49255	48811	4.70	4.74	4.75	4.76	4.78
	52.0	56814	55678	55399	54291	53803	4.66	4.70	4.71	4.72	4.74
	57.0	62084	60843	60538	59328	58794	4.62	4.66	4.67	4.68	4.70
62.0	67355	66008	65678	64364	63785	4.58	4.62	4.63	4.64	4.66	
64.4	69463	68074	67733	66379	65781	4.56	4.60	4.61	4.62	4.64	

NOTE: Data highlighted in gray is extrapolated data and not actual test data.

HEATING PERFORMANCE DUCTED

HEATING PERFORMANCE 48HH (HIGH HEAT)

DUCTED HEATING PERFORMANCE 48HH

AIRFLOW (CFM)	OUTDOOR DB (°F)	TC : Total Heating Capacity (BTU/hr)					PI : Power Input (kW)				
		Indoor Conditions (DB °F)					Indoor Conditions (DB °F)				
		60.8	68.0	70.0	71.6	75.2	60.8	68.0	70.00	71.6	75.2
625	-22.0	17628	17275	17189	16845	16694	6.01	6.06	6.08	6.09	6.11
	-10.0	17891	17534	17446	17097	16943	5.92	5.97	5.98	5.99	6.02
	0.0	18111	17749	17660	17307	17151	5.84	5.89	5.90	5.91	5.93
	5.0	18221	17856	17767	17412	17255	5.80	5.85	5.86	5.87	5.89
	14.0	18418	18050	17960	17601	17442	5.73	5.78	5.79	5.80	5.82
	17.0	18484	18115	18024	17664	17505	5.71	5.75	5.76	5.77	5.80
	22.0	18800	18424	18332	17966	17804	5.68	5.72	5.74	5.75	5.77
	27.0	19117	18734	18641	18268	18103	5.65	5.70	5.71	5.72	5.74
	32.0	19433	19044	18949	18570	18403	5.63	5.67	5.68	5.69	5.72
	37.0	20323	19916	19817	19420	19246	5.55	5.59	5.60	5.61	5.64
	42.0	22073	21632	21524	21093	20904	5.43	5.47	5.48	5.49	5.51
	44.6	22774	22318	22207	21763	21567	5.37	5.42	5.43	5.44	5.46
	47.0	23824	23348	23231	22766	22562	5.23	5.27	5.28	5.29	5.31
	52.0	25575	25064	24938	24440	24220	5.07	5.11	5.12	5.13	5.15
	57.0	27326	26779	26646	26113	25878	4.91	4.95	4.96	4.97	4.99
62.0	29077	28495	28353	27786	27536	4.75	4.79	4.80	4.81	4.83	
64.4	29777	29182	29036	28455	28199	4.69	4.73	4.74	4.75	4.77	
1025	-22.0	28910	28332	28190	27626	27377	6.08	6.12	6.14	6.15	6.17
	-10.0	29342	28755	28611	28039	27787	5.98	6.03	6.04	6.05	6.08
	0.0	29702	29108	28962	28383	28128	5.90	5.95	5.96	5.97	5.99
	5.0	29882	29284	29138	28555	28298	5.86	5.91	5.92	5.93	5.95
	14.0	30206	29602	29454	28865	28605	5.79	5.83	5.85	5.86	5.88
	17.0	30314	29708	29559	28968	28707	5.76	5.81	5.82	5.83	5.86
	22.0	30833	30216	30065	29464	29198	5.74	5.78	5.79	5.81	5.83
	27.0	31351	30724	30570	29959	29689	5.71	5.76	5.77	5.78	5.80
	32.0	31870	31232	31076	30454	30180	5.68	5.73	5.74	5.75	5.77
	37.0	33329	32663	32499	31849	31563	5.60	5.65	5.66	5.67	5.69
	42.0	36201	35477	35299	34593	34282	5.48	5.52	5.54	5.55	5.57
	44.6	37349	36602	36419	35691	35369	5.43	5.47	5.48	5.49	5.51
	47.0	39072	38290	38099	37337	37001	5.28	5.33	5.34	5.35	5.37
	52.0	41943	41104	40899	40081	39720	5.12	5.16	5.17	5.18	5.21
	57.0	44815	43918	43699	42825	42439	4.96	5.00	5.01	5.02	5.04
62.0	47686	46732	46499	45569	45158	4.80	4.84	4.85	4.86	4.88	
64.4	48834	47858	47619	46666	46246	4.74	4.78	4.79	4.80	4.82	
1575	-22.0	43128	42266	42054	41213	40842	6.14	6.19	6.20	6.21	6.24
	-10.0	43773	42898	42683	41829	41453	6.04	6.09	6.10	6.11	6.14
	0.0	44310	43424	43207	42343	41962	5.96	6.01	6.02	6.03	6.06
	5.0	44579	43687	43469	42600	42216	5.92	5.97	5.98	5.99	6.01
	14.0	45062	44161	43940	43062	42674	5.85	5.89	5.90	5.92	5.94
	17.0	45224	44319	44098	43216	42827	5.82	5.87	5.88	5.89	5.92
	22.0	45997	45077	44852	43955	43559	5.79	5.84	5.85	5.86	5.89
	27.0	46770	45835	45606	44694	44292	5.77	5.81	5.83	5.84	5.86
	32.0	47544	46593	46360	45433	45024	5.74	5.79	5.80	5.81	5.83
	37.0	49721	48727	48483	47514	47086	5.66	5.71	5.72	5.73	5.75
	42.0	54005	52925	52660	51607	51143	5.54	5.58	5.59	5.60	5.63
	44.6	55718	54604	54331	53244	52765	5.48	5.53	5.54	5.55	5.57
	47.0	58289	57123	56837	55700	55199	5.34	5.38	5.39	5.40	5.42
	52.0	62572	61321	61014	59794	59256	5.17	5.22	5.23	5.24	5.26
	57.0	66856	65519	65191	63887	63312	5.01	5.05	5.06	5.07	5.09
62.0	71139	69717	69368	67981	67369	4.85	4.89	4.90	4.91	4.93	
64.4	72853	71396	71039	69618	68991	4.79	4.82	4.83	4.84	4.86	
1600	-22.0	42537	41686	41478	40648	40282	6.20	6.25	6.26	6.27	6.30
	-10.0	43173	42309	42098	41256	40884	6.10	6.15	6.16	6.17	6.20
	0.0	43703	42828	42614	41762	41386	6.02	6.07	6.08	6.09	6.12
	5.0	43967	43088	42873	42015	41637	5.98	6.03	6.04	6.05	6.07
	14.0	44444	43555	43338	42471	42089	5.90	5.95	5.96	5.98	6.00
	17.0	44603	43711	43493	42623	42239	5.88	5.93	5.94	5.95	5.97
	22.0	45366	44459	44237	43352	42962	5.85	5.90	5.91	5.92	5.95
	27.0	46129	45206	44980	44081	43684	5.82	5.87	5.88	5.90	5.92
	32.0	46892	45954	45724	44810	44406	5.80	5.84	5.86	5.87	5.89
	37.0	49040	48059	47818	46862	46440	5.72	5.76	5.77	5.79	5.81
	42.0	53264	52199	51938	50899	50441	5.59	5.64	5.65	5.66	5.68
	44.6	54954	53855	53586	52514	52042	5.54	5.58	5.59	5.60	5.63
	47.0	57489	56339	56058	54937	54442	5.39	5.43	5.44	5.45	5.48
	52.0	61714	60480	60177	58974	58443	5.23	5.27	5.28	5.29	5.31
	57.0	65939	64620	64297	63011	62444	5.06	5.10	5.11	5.12	5.14
62.0	70164	68760	68417	67048	66445	4.90	4.94	4.95	4.96	4.98	
64.4	71854	70416	70064	68663	68045	4.83	4.87	4.88	4.89	4.91	

NOTE: Data highlighted in gray is extrapolated data and not actual test data.

Manufacturer reserves the right to change, at any time, specifications and designs without notice and without obligations.

APPLICATION DATA

Unit Selection

When selecting a variable speed system, match the system capacity range to the anticipated load range. Since a variable speed system can accommodate a wide range of loads it is important to understand the percentage of time that the system will be required to run at both the maximum and the minimum load points. This differential is most evident when a residential application is compared with a commercial application.

Generally there is more load diversification in the residential application (shifting from a low load to a high load). The commercial application tends to be steadier during the normal day time hours, and will drop to low load levels after normal business hours. If it is anticipated that the system needs to run at the maximum load point for the majority of the time, the next larger system capacity should be selected.

The Application table below provides a guideline for selecting the appropriate size for the application.

NOTE: See the note on page 134 regarding selection of 30R or 36R Air Handling Units (AHUs) in multi-zone applications.

NOTE: Refer to the most current version of the compatibility chart for a list of the approved indoor units for each outdoor size.

	NO. ZONES	COOLING CAPACITY (BTU/H)					HEATING CAPACITY (BTU/H)				
		ZONE 1	ZONE 2	ZONE 3	ZONE 4	ZONE 5	ZONE 1	ZONE 2	ZONE 3	ZONE 4	ZONE 5
18R - Regular Heat											
6+6	2 - Zone	6,000	6,000				6,300	6,300			
6+9		6,000	9,000				6,300	9,500			
6+12		6,000	12,000				6,300	12,700			
9+9		9,000	9,000				9,500	9,500			
9+12		9,000	12,000				9,500	12,700			
12+12		11,200	11,200				11,800	11,800			
24HH - High Heat											
6+6	2 - Zone	8,000	8,000				8,200	8,200			
6+9		6,400	9,500				6,500	9,700			
6+12		6,000	12,000				6,100	12,300			
6+18		6,000	18,000				6,100	18,400			
9+9		9,000	9,000				9,200	9,200			
9+12		9,000	12,000				9,200	12,300			
9+18		9,000	18,000				9,200	18,400			
12+12		12,000	12,000				12,300	12,300			
12+18		12,000	18,000				12,300	18,400			
18+18		15,600	15,600				15,900	15,900			
6+6+6	3 - Zone	6,000	6,000	6,000			6,100	6,100	6,100		
6+6+9		6,000	6,000	9,000			6,100	6,100	9,200		
6+6+12		6,000	6,000	12,000			6,100	6,100	12,300		
6+6+18		6,000	6,000	18,000			6,100	6,100	18,400		
6+9+9		6,000	9,000	9,000			6,100	9,200	9,200		
6+9+12		6,000	9,000	12,000			6,100	9,200	12,300		
6+9+18		5,700	8,500	17,000			5,800	8,700	17,400		
6+12+12		6,000	12,000	12,000			6,100	12,300	12,300		
9+9+9		9,000	9,000	9,000			9,200	9,200	9,200		
9+9+12		9,000	9,000	12,000			9,200	9,200	12,300		
9+9+18		7,800	7,800	15,600			8,000	8,000	15,900		
9+12+12		8,500	11,400	11,400			8,700	11,600	11,600		
12+12+12		10,400	10,400	10,400			10,600	10,600	10,600		
30HH - High Heat											
6+9	2 - Zone	7,900	11,900				7,900	11,900			
6+12		6,600	13,200				6,600	13,200			
6+18		6,000	18,000				6,000	18,000			
6+24		6,000	24,000				6,000	24,000			
9+9		9,900	9,900				9,900	9,900			
9+12		9,000	12,000				9,000	12,000			
9+18		9,000	18,000				9,000	18,000			
9+24		9,000	24,000				9,000	24,000			
12+12		12,000	12,000				12,000	12,000			
12+18		12,000	18,000				12,000	18,000			
12+24		12,000	24,000				12,000	24,000			
18+18		18,000	18,000				18,000	18,000			

	NO. ZONES	COOLING CAPACITY (BTU/H)					HEATING CAPACITY (BTU/H)				
		ZONE 1	ZONE 2	ZONE 3	ZONE 4	ZONE 5	ZONE 1	ZONE 2	ZONE 3	ZONE 4	ZONE 5
6+6+6	3 - Zone	6,600	6,600	6,600			6,600	6,600	6,600		
6+6+9		6,000	6,000	9,000			6,000	6,000	9,000		
6+6+12		6,000	6,000	12,000			6,000	6,000	12,000		
6+6+18		6,000	6,000	18,000			6,000	6,000	18,000		
6+6+24		6,000	6,000	24,000			6,000	6,000	24,000		
6+9+9		6,000	9,000	9,000			6,000	9,000	9,000		
6+9+12		6,000	9,000	12,000			6,000	9,000	12,000		
6+9+18		6,000	9,000	18,000			6,000	9,000	18,000		
6+9+24		6,000	9,000	24,000			6,000	9,000	24,000		
6+12+12		6,000	12,000	12,000			6,000	12,000	12,000		
6+12+18		6,000	12,000	18,000			6,000	12,000	18,000		
6+12+24		5,700	11,400	22,800			5,700	11,400	22,800		
6+18+18		5,700	17,100	17,100			5,700	17,100	17,100		
6+18+24		4,900	14,800	19,700			4,900	14,800	19,700		
9+9+9		9,000	9,000	9,000			9,000	9,000	9,000		
9+9+12		9,000	9,000	12,000			9,000	9,000	12,000		
9+9+18		9,000	9,000	18,000			9,000	9,000	18,000		
9+9+24		8,600	8,600	17,100			8,600	8,600	17,100		
9+12+12		9,000	12,000	12,000			9,000	12,000	12,000		
9+12+18		9,000	12,000	18,000			9,000	12,000	18,000		
9+12+24		8,000	10,600	5,300			8,000	10,600	5,300		
9+18+18		8,000	16,000	5,300			8,000	16,000	5,300		
12+12+12		12,000	12,000	12,000			12,000	12,000	12,000		
12+12+18		11,300	11,300	16,900			11,300	11,300	16,900		
12+18+18	9,900	14,800	14,800			9,900	14,800	14,800			
12+12+24	9,900	9,900	19,700			9,900	9,900	19,700			
6+6+6+6	4 - Zone	6,000	6,000	6,000	6,000		6,000	6,000	6,000	6,000	
6+6+6+9		6,000	6,000	6,000	9,000		6,000	6,000	6,000	9,000	
6+6+6+12		6,000	6,000	6,000	12,000		6,000	6,000	6,000	12,000	
6+6+6+18		6,000	6,000	6,000	18,000		6,000	6,000	6,000	18,000	
6+6+6+24		5,700	5,700	5,700	22,800		5,700	5,700	5,700	22,800	
6+6+9+9		6,000	6,000	9,000	9,000		6,000	6,000	9,000	9,000	
6+6+9+12		6,000	6,000	9,000	12,000		6,000	6,000	9,000	12,000	
6+6+9+18		6,000	6,000	9,000	18,000		6,000	6,000	9,000	18,000	
6+6+9+24		5,300	5,300	7,900	21,000		5,300	5,300	7,900	21,000	
6+6+12+12		6,000	6,000	12,000	12,000		6,000	6,000	12,000	12,000	
6+6+12+18		5,600	5,600	11,300	16,900		5,600	5,600	11,300	16,900	
6+6+12+24		4,900	4,900	9,900	19,700		4,900	4,900	9,900	19,700	
6+6+18+18		4,900	4,900	14,800	14,800		4,900	4,900	14,800	14,800	
6+9+9+9		6,000	9,000	9,000	9,000		6,000	9,000	9,000	9,000	
6+9+9+12		6,000	9,000	9,000	12,000		6,000	9,000	9,000	12,000	
6+9+9+18		5,600	8,500	8,500	16,900		5,600	8,500	8,500	16,900	
6+9+9+24		4,900	7,400	7,400	19,700		4,900	7,400	7,400	19,700	
6+12+12+12		5,600	11,300	11,300	11,300		5,600	11,300	11,300	11,300	
6+12+12+18		4,900	9,900	9,900	14,800		4,900	9,900	9,900	14,800	
9+9+9+9		9,000	9,000	9,000	9,000		9,000	9,000	9,000	9,000	
9+9+9+12		9,000	9,000	9,000	12,000		9,000	9,000	9,000	12,000	
9+9+9+18		7,900	7,900	7,900	15,800		7,900	7,900	7,900	15,800	
9+9+12+12		8,500	8,500	11,300	11,300		8,500	8,500	11,300	11,300	
9+9+12+18		7,400	7,400	9,900	14,800		7,400	7,400	9,900	14,800	
9+12+12+12		7,900	10,500	10,500	10,500		7,900	10,500	10,500	10,500	
12+12+12+12		9,900	9,900	9,900	9,900		9,900	9,900	9,900	9,900	

	NO. ZONES	COOLING CAPACITY (BTU/H)					HEATING CAPACITY (BTU/H)					
		ZONE 1	ZONE 2	ZONE 3	ZONE 4	ZONE 5	ZONE 1	ZONE 2	ZONE 3	ZONE 4	ZONE 5	
36R - Regular												
6+9	2 - Zone	9,700	14,700				10,000	15,100				
6+12		8,100	16,300				8,300	16,800				
6+18		6,000	18,000				6,200	18,500				
6+24		6,000	24,000				6,200	24,700				
9+9		12,200	12,200				12,500	12,500				
9+12		10,500	14,000				10,800	14,400				
9+18		9,000	18,000				9,300	18,500				
9+24		9,000	24,000				9,300	24,700				
12+12		12,000	12,000				12,300	12,300				
12+18		12,000	18,000				12,300	18,500				
12+24		12,000	24,000				12,300	24,700				
18+18		18,000	18,000				18,500	18,500				
6+6+6		3 - Zone	8,200	8,200	8,200			8,400	8,400	8,400		
6+6+9			7,000	7,000	10,500			7,200	7,200	10,800		
6+6+12	6,000		6,000	12,000			6,200	6,200	12,300			
6+6+18	6,000		6,000	18,000			6,200	6,200	18,500			
6+6+24	6,000		6,000	24,000			6,200	6,200	24,700			
6+9+9	6,000		9,000	9,000			6,200	9,300	9,300			
6+9+12	6,000		9,000	12,000			6,200	9,300	12,300			
6+9+18	6,000		9,000	18,000			6,200	9,300	18,500			
6+9+24	6,000		9,000	24,000			6,200	9,300	24,700			
6+12+12	6,000		12,000	12,000			6,200	12,300	12,300			
6+12+18	6,000		12,000	18,000			6,200	12,300	18,500			
6+12+24	5,700		11,400	22,800			5,900	11,700	23,400			
6+18+18	5,700		17,100	17,100			5,900	17,600	17,600			
6+18+24	4,900		14,800	19,700			5,000	15,200	20,200			
9+9+9	9,000		9,000	9,000			9,300	9,300	9,300			
9+9+12	9,000		9,000	12,000			9,300	9,300	12,300			
9+9+18	9,000		9,000	18,000			9,300	9,300	18,500			
9+9+24	8,600		8,600	17,100			8,800	8,800	17,600			
9+12+12	9,000		12,000	12,000			9,300	12,300	12,300			
9+12+18	9,000		12,000	18,000			9,300	12,300	18,500			
9+12+24	8,000		10,600	5,300			8,200	10,900	5,400			
9+18+18	8,000		16,000	5,300			8,200	16,400	5,400			
12+12+12	12,000		12,000	12,000			12,300	12,300	12,300			
12+12+18	11,300		11,300	16,900			11,600	11,600	17,400			
12+18+18	9,900		14,800	14,800			10,200	15,200	15,200			
12+12+24	9,900		9,900	19,700			10,200	10,200	20,200			

	NO. ZONES	COOLING CAPACITY (BTU/H)					HEATING CAPACITY (BTU/H)					
		ZONE 1	ZONE 2	ZONE 3	ZONE 4	ZONE 5	ZONE 1	ZONE 2	ZONE 3	ZONE 4	ZONE 5	
6+6+6+6	4 - Zone	6,000	6,000	6,000	6,000		6,200	6,200	6,200	6,200		
6+6+6+9		6,000	6,000	6,000	9,000		6,200	6,200	6,200	9,300		
6+6+6+12		6,000	6,000	6,000	12,000		6,200	6,200	6,200	12,300		
6+6+6+18		6,000	6,000	6,000	18,000		6,200	6,200	6,200	18,500		
6+6+6+24		5,700	5,700	5,700	22,800		5,900	5,900	5,900	23,400		
6+6+9+9		6,000	6,000	9,000	9,000		6,200	6,200	9,300	9,300		
6+6+9+12		6,000	6,000	9,000	12,000		6,200	6,200	9,300	12,300		
6+6+9+18		6,000	6,000	9,000	18,000		6,200	6,200	9,300	18,500		
6+6+9+24		5,300	5,300	7,900	21,000		5,400	5,400	8,100	21,600		
6+6+12+12		6,000	6,000	12,000	12,000		6,200	6,200	12,300	12,300		
6+6+12+18		5,600	5,600	11,300	16,900		5,800	5,800	11,600	17,400		
6+6+12+24		4,900	4,900	9,900	19,700		5,000	5,000	10,200	20,200		
6+6+18+18		4,900	4,900	14,800	14,800		5,000	5,000	15,200	15,200		
6+9+9+9		6,000	9,000	9,000	9,000		6,200	9,300	9,300	9,300		
6+9+9+12		6,000	9,000	9,000	12,000		6,200	9,300	9,300	12,300		
6+9+9+18		5,600	8,500	8,500	16,900		5,800	8,700	8,700	17,400		
6+9+9+24		4,900	7,400	7,400	19,700		5,000	7,600	7,600	20,200		
6+12+12+12		5,600	11,300	11,300	11,300		5,800	11,600	11,600	11,600		
6+12+12+18		4,900	9,900	9,900	14,800		5,000	10,200	10,200	15,200		
9+9+9+9		9,000	9,000	9,000	9,000		9,300	9,300	9,300	9,300		
9+9+9+12		9,000	9,000	9,000	12,000		9,300	9,300	9,300	12,300		
9+9+9+18		7,900	7,900	7,900	15,800		8,100	8,100	8,100	16,200		
9+9+12+12		8,500	8,500	11,300	11,300		8,700	8,700	11,600	11,600		
9+9+12+18		7,400	7,400	9,900	14,800		7,600	7,600	10,200	15,200		
9+12+12+12		7,900	10,500	10,500	10,500		8,100	10,800	10,800	10,800		
12+12+12+12		9,900	9,900	9,900	9,900		10,200	10,200	10,200	10,200		
36HH - High Heat												
9+18		2 - Zone	9,000	18,000				9,200	18,400			
9+24	9,000		24,000				9,200	24,500				
12+12	12,000		12,000				12,300	12,300				
12+18	12,000		18,000				12,300	18,400				
12+24	12,000		24,000				12,300	24,500				
18+18	18,000		18,000				18,400	18,400				
18+24	18,000		24,000				18,400	24,500				
24+24	24,000		24,000				24,500	24,500				
6+6+24	3 - Zone	6,000	6,000	24,000			6,100	6,100	24,500			
6+9+12		6,000	9,000	12,000			6,100	9,200	12,300			
6+9+18		6,000	9,000	18,000			6,100	9,200	18,400			
6+9+24		6,000	9,000	24,000			6,100	9,200	24,500			
6+12+18		6,000	12,000	18,000			6,100	12,300	18,400			
6+12+24		6,000	12,000	24,000			6,100	12,300	24,500			
6+18+18		6,000	18,000	18,000			6,100	18,400	18,400			
6+18+24		6,000	18,000	24,000			6,100	18,400	24,500			
6+24+24		6,000	24,000	24,000			6,000	24,100	24,100			
9+9+9		9,000	9,000	9,000			9,200	9,200	9,200			
9+9+12		9,000	9,000	12,000			9,200	9,200	12,300			
9+9+18		9,000	9,000	18,000			9,200	9,200	18,400			
9+9+24		9,000	9,000	24,000			9,200	9,200	24,500			
9+12+12		9,000	12,000	12,000			9,200	12,300	12,300			
9+12+18		9,000	12,000	18,000			9,200	12,300	18,400			
9+12+24		9,000	12,000	24,000			9,200	12,300	24,500			
9+18+18	9,000	18,000	18,000			9,200	18,400	18,400				
9+18+24	9,000	18,000	24,000			9,200	18,400	24,500				
9+24+24	8,300	22,300	22,300			8,500	22,800	22,800				
12+12+12	12,000	12,000	12,000			12,300	12,300	12,300				
12+12+18	12,000	12,000	18,000			12,300	12,300	18,400				
12+12+24	12,000	12,000	24,000			12,300	12,300	24,500				
12+18+18	12,000	18,000	18,000			12,300	18,400	18,400				
12+18+24	12,000	18,000	24,000			12,000	18,100	24,100				
12+24+24	10,400	20,900	20,900			10,600	21,300	21,300				
18+18+18	17,500	17,500	17,500			17,900	17,900	17,900				
18+18+24	16,800	16,800	18,700			17,200	17,200	19,100				

	NO. ZONES	COOLING CAPACITY (BTU/H)					HEATING CAPACITY (BTU/H)				
		ZONE 1	ZONE 2	ZONE 3	ZONE 4	ZONE 5	ZONE 1	ZONE 2	ZONE 3	ZONE 4	ZONE 5
6+6+6+18	4 - Zone	6,000	6,000	6,000	18,000		6,100	6,100	6,100	18,400	
6+6+6+24		6,000	6,000	6,000	24,000		6,100	6,100	6,100	24,500	
6+6+6+30		6,000	6,000	6,000	30,000		6,100	6,100	6,100	30,600	
6+6+6+36		6,000	6,000	6,000	36,000		6,000	6,000	6,000	36,200	
6+6+9+12		6,000	6,000	9,000	12,000		6,100	6,100	9,200	12,300	
6+6+9+18		6,000	6,000	9,000	18,000		6,100	6,100	9,200	18,400	
6+6+9+24		6,000	6,000	9,000	24,000		6,100	6,100	9,200	24,500	
6+6+9+30		6,000	6,000	9,000	30,000		6,100	6,100	9,200	30,600	
6+6+9+36		5,500	5,500	8,300	33,000		5,600	5,600	8,500	33,700	
6+6+12+12		6,000	6,000	12,000	12,000		6,100	6,100	12,300	12,300	
6+6+12+18		6,000	6,000	12,000	18,000		6,100	6,100	12,300	18,400	
6+6+12+24		6,000	6,000	12,000	24,000		6,100	6,100	12,300	24,500	
6+6+12+30		6,000	6,000	12,000	30,000		6,000	6,000	12,100	30,100	
6+6+12+36		5,200	5,200	10,400	31,300		5,300	5,300	10,600	32,000	
6+6+18+18		6,000	6,000	18,000	18,000		6,100	6,100	18,400	18,400	
6+6+18+24		6,000	6,000	18,000	24,000		6,000	6,000	18,100	24,100	
6+6+18+30		5,200	5,200	15,700	26,100		5,300	5,300	16,000	26,600	
6+6+24+24		5,200	5,200	20,900	20,900		5,300	5,300	21,300	21,300	
6+9+9+9		6,000	9,000	9,000	9,000		6,100	9,200	9,200	9,200	
6+9+9+12		6,000	9,000	9,000	12,000		6,100	9,200	9,200	12,300	
6+9+9+18		6,000	9,000	9,000	18,000		6,100	9,200	9,200	18,400	
6+9+9+24		6,000	9,000	9,000	24,000		6,100	9,200	9,200	24,500	
6+9+9+30		6,000	9,000	9,000	30,000		6,100	9,100	9,100	30,500	
6+9+9+36		5,200	7,800	7,800	31,300		5,300	8,000	8,000	32,000	
6+9+12+12		6,000	9,000	12,000	12,000		6,100	9,200	12,300	12,300	
6+9+12+18		6,000	9,000	12,000	18,000		6,100	9,200	12,300	18,400	
6+9+12+24		6,000	9,000	12,000	24,000		6,100	9,200	12,300	24,500	
6+9+12+30		5,500	8,300	11,000	27,500		5,600	8,500	11,200	28,100	
6+9+12+36		5,000	7,400	9,900	29,800		5,100	7,600	10,100	30,400	
6+9+18+18		6,000	9,000	18,000	18,000		6,100	9,200	18,400	18,400	
6+9+18+24		5,500	8,300	16,500	22,000		5,600	8,500	16,800	22,500	
6+9+18+30		5,000	7,400	14,900	24,800		5,100	7,600	15,200	25,300	
6+12+12+12		6,000	12,000	12,000	12,000		6,100	12,300	12,300	12,300	
6+12+12+18		6,000	12,000	12,000	18,000		6,100	12,300	12,300	18,400	
6+12+12+24		5,800	11,600	11,600	23,300		5,900	11,800	11,800	23,800	
6+12+12+30		5,200	10,400	10,400	26,100		5,300	10,600	10,600	26,600	
6+12+18+18		5,800	11,600	17,500	17,500		5,900	11,800	17,900	17,900	
6+12+18+24		5,200	10,400	15,700	20,900		5,300	10,600	16,000	21,300	
9+9+9+9		9,000	9,000	9,000	9,000		9,200	9,200	9,200	9,200	
9+9+9+12		9,000	9,000	9,000	12,000		9,200	9,200	9,200	12,300	
9+9+9+18		9,000	9,000	9,000	18,000		9,200	9,200	9,200	18,400	
9+9+9+24		9,000	9,000	9,000	24,000		9,200	9,200	9,200	24,500	
9+9+12+12		9,000	9,000	12,000	12,000		9,200	9,200	12,300	12,300	
9+9+12+18		9,000	9,000	12,000	18,000		9,200	9,200	12,300	18,400	
9+9+12+24		8,700	8,700	11,600	23,300		8,900	8,900	11,800	23,800	
9+9+18+18	8,700	8,700	17,500	17,500		8,900	8,900	17,900	17,900		
9+9+18+24	7,800	7,800	15,700	20,900		8,000	8,000	16,000	21,300		
9+12+12+12	9,000	12,000	12,000	12,000		9,200	12,300	12,300	12,300		
9+12+12+18	9,000	12,000	12,000	18,000		9,200	12,300	12,300	18,400		
9+12+12+24	8,300	11,000	11,000	22,000		8,500	11,200	11,200	22,500		
9+12+18+18	8,300	11,000	16,500	16,500		8,500	11,200	16,800	16,800		
9+18+18+18	7,400	14,900	14,900	14,900		7,600	15,200	15,200	15,200		
12+12+12+12	12,000	12,000	12,000	12,000		12,300	12,300	12,300	12,300		
12+12+12+18	11,600	11,600	11,600	17,500		11,800	11,800	11,800	17,900		
12+12+12+24	10,400	10,400	10,400	20,900		10,600	10,600	10,600	21,300		
12+12+18+18	10,400	10,400	15,700	15,700		10,600	10,600	16,000	16,000		

	NO. ZONES	COOLING CAPACITY (BTU/H)					HEATING CAPACITY (BTU/H)				
		ZONE 1	ZONE 2	ZONE 3	ZONE 4	ZONE 5	ZONE 1	ZONE 2	ZONE 3	ZONE 4	ZONE 5
48R - Regular Heat											
6+30	2 - Zone	6,000	30,000				6,000	30,000			
6+36		6,000	36,000				6,000	36,000			
9+18		10,600	21,100				10,600	21,100			
9+24		9,000	24,000				9,000	24,000			
9+30		9,000	30,000				9,000	30,000			
9+36		9,000	36,000				9,000	36,000			
12+12		15,900	15,900				15,900	15,900			
12+18		12,700	19,000				12,700	19,000			
12+24		12,000	24,000				12,000	24,000			
12+30		12,000	30,000				12,000	30,000			
12+36		12,000	36,000				12,000	36,000			
18+18		18,000	18,000				18,000	18,000			
18+24		18,000	24,000				18,000	24,000			
18+30		18,000	30,000				18,000	30,000			
18+36		18,000	36,000				18,000	36,000			
24+24		24,000	24,000				24,000	24,000			
24+30		24,000	30,000				24,000	30,000			
24+36		24,000	36,000				24,000	36,000			
30+30		30,000	30,000				30,000	30,000			

	NO. ZONES	COOLING CAPACITY (BTU/H)					HEATING CAPACITY (BTU/H)				
		ZONE 1	ZONE 2	ZONE 3	ZONE 4	ZONE 5	ZONE 1	ZONE 2	ZONE 3	ZONE 4	ZONE 5
6+6+24	3 - Zone	6,000	6,000	24,000			6,000	6,000	24,000		
6+6+30		6,000	6,000	30,000			6,000	6,000	30,000		
6+6+36		6,000	6,000	36,000			6,000	6,000	36,000		
6+9+12		7,000	10,600	14,100			7,000	10,600	14,100		
6+9+18		6,000	9,000	18,000			6,000	9,000	18,000		
6+9+24		6,000	9,000	24,000			6,000	9,000	24,000		
6+9+30		6,000	9,000	30,000			6,000	9,000	30,000		
6+9+36		6,000	9,000	36,000			6,000	9,000	36,000		
6+12+18		6,000	12,000	18,000			6,000	12,000	18,000		
6+12+24		6,000	12,000	24,000			6,000	12,000	24,000		
6+12+30		6,000	12,000	30,000			6,000	12,000	30,000		
6+12+36		6,000	12,000	36,000			6,000	12,000	36,000		
6+18+18		6,000	18,000	18,000			6,000	18,000	18,000		
6+18+24		6,000	18,000	24,000			6,000	18,000	24,000		
6+18+30		6,000	18,000	30,000			6,000	18,000	30,000		
6+18+36		6,000	18,000	36,000			6,000	18,000	36,000		
6+24+24		6,000	24,000	24,000			6,000	24,000	24,000		
6+24+30		6,000	24,000	30,000			6,000	24,000	30,000		
9+9+9		10,600	10,600	10,600			10,600	10,600	10,600		
9+9+12		9,500	9,500	12,700			9,500	9,500	12,700		
9+9+18		9,000	9,000	18,000			9,000	9,000	18,000		
9+9+24		9,000	9,000	24,000			9,000	9,000	24,000		
9+9+30		9,000	9,000	30,000			9,000	9,000	30,000		
9+9+36		9,000	9,000	36,000			9,000	9,000	36,000		
9+12+12		9,000	12,000	12,000			9,000	12,000	12,000		
9+12+18		9,000	12,000	18,000			9,000	12,000	18,000		
9+12+24		9,000	12,000	24,000			9,000	12,000	24,000		
9+12+30		9,000	12,000	30,000			9,000	12,000	30,000		
9+12+36		9,000	12,000	36,000			9,000	12,000	36,000		
9+18+18		9,000	18,000	18,000			9,000	18,000	18,000		
9+18+24		9,000	18,000	24,000			9,000	18,000	24,000		
9+18+30		9,000	18,000	30,000			9,000	18,000	30,000		
9+18+36	9,000	18,000	36,000			9,000	18,000	36,000			
9+24+24	9,000	24,000	24,000			9,000	24,000	24,000			
12+12+12	12,000	12,000	12,000			12,000	12,000	12,000			
12+12+18	12,000	12,000	18,000			12,000	12,000	18,000			
12+12+24	12,000	12,000	24,000			12,000	12,000	24,000			
12+12+30	12,000	12,000	30,000			12,000	12,000	30,000			
12+12+36	12,000	12,000	36,000			12,000	12,000	36,000			
12+18+18	12,000	16,500	16,500			12,000	16,500	16,500			
12+18+24	12,000	18,000	24,000			12,000	18,000	24,000			
12+18+30	12,000	18,000	30,000			12,000	18,000	30,000			
12+24+24	12,000	24,000	24,000			12,000	24,000	24,000			
18+18+18	18,000	18,000	18,000			18,000	18,000	18,000			
18+18+24	18,000	18,000	24,000			18,000	18,000	24,000			

	NO. ZONES	COOLING CAPACITY (BTU/H)					HEATING CAPACITY (BTU/H)				
		ZONE 1	ZONE 2	ZONE 3	ZONE 4	ZONE 5	ZONE 1	ZONE 2	ZONE 3	ZONE 4	ZONE 5
6+6+6+18	4-Zone	6,000	6,000	6,000	18,000		6,000	6,000	6,000	18,000	
6+6+6+24		6,000	6,000	6,000	24,000		6,000	6,000	6,000	24,000	
6+6+6+30		6,000	6,000	6,000	30,000		6,000	6,000	6,000	30,000	
6+6+6+36		6,000	6,000	6,000	36,000		6,000	6,000	6,000	36,000	
6+6+9+12		6,000	6,000	9,000	12,000		6,000	6,000	9,000	12,000	
6+6+9+18		6,000	6,000	9,000	18,000		6,000	6,000	9,000	18,000	
6+6+9+24		6,000	6,000	9,000	24,000		6,000	6,000	9,000	24,000	
6+6+9+30		6,000	6,000	9,000	30,000		6,000	6,000	9,000	30,000	
6+6+9+36		6,000	6,000	9,000	36,000		6,000	6,000	9,000	36,000	
6+6+12+12		6,000	6,000	12,000	12,000		6,000	6,000	12,000	12,000	
6+6+12+18		6,000	6,000	12,000	18,000		6,000	6,000	12,000	18,000	
6+6+12+24		6,000	6,000	12,000	24,000		6,000	6,000	12,000	24,000	
6+6+12+30		6,000	6,000	12,000	30,000		6,000	6,000	12,000	30,000	
6+6+12+36		6,000	6,000	12,000	36,000		6,000	6,000	12,000	36,000	
6+6+18+18		6,000	6,000	18,000	18,000		6,000	6,000	18,000	18,000	
6+6+18+24		6,000	6,000	18,000	24,000		6,000	6,000	18,000	24,000	
6+6+18+30		6,000	6,000	18,000	30,000		6,000	6,000	18,000	30,000	
6+6+24+24		6,000	6,000	24,000	24,000		6,000	6,000	24,000	24,000	
6+9+9+9		6,000	9,000	9,000	9,000		6,000	9,000	9,000	9,000	
6+9+9+12		6,000	9,000	9,000	12,000		6,000	9,000	9,000	12,000	
6+9+9+18		6,000	9,000	9,000	18,000		6,000	9,000	9,000	18,000	
6+9+9+24		6,000	9,000	9,000	24,000		6,000	9,000	9,000	24,000	
6+9+9+30		6,000	9,000	9,000	30,000		6,000	9,000	9,000	30,000	
6+9+9+36		6,000	9,000	9,000	36,000		6,000	9,000	9,000	36,000	
6+9+12+12		6,000	9,000	12,000	12,000		6,000	9,000	12,000	12,000	
6+9+12+18		6,000	9,000	12,000	18,000		6,000	9,000	12,000	18,000	
6+9+12+24		6,000	9,000	12,000	24,000		6,000	9,000	12,000	24,000	
6+9+12+30		6,000	9,000	12,000	30,000		6,000	9,000	12,000	30,000	
6+9+12+36		6,000	9,000	12,000	36,000		6,000	9,000	12,000	36,000	
6+9+18+18		6,000	9,000	18,000	18,000		6,000	9,000	18,000	18,000	
6+9+18+24		6,000	9,000	18,000	24,000		6,000	9,000	18,000	24,000	
6+9+18+30		6,000	9,000	18,000	30,000		6,000	9,000	18,000	30,000	
6+9+24+24		6,000	9,000	24,000	24,000		6,000	9,000	24,000	24,000	
6+12+12+12		6,000	12,000	12,000	12,000		6,000	12,000	12,000	12,000	
6+12+12+18		6,000	12,000	12,000	18,000		6,000	12,000	12,000	18,000	
6+12+12+24		6,000	12,000	12,000	24,000		6,000	12,000	12,000	24,000	
6+12+12+30		6,000	12,000	12,000	30,000		6,000	12,000	12,000	30,000	
6+12+18+18		6,000	12,000	18,000	18,000		6,000	12,000	18,000	18,000	
6+12+18+24		6,000	12,000	18,000	24,000		6,000	12,000	18,000	24,000	
6+18+18+18		6,000	18,000	18,000	18,000		6,000	18,000	18,000	18,000	
9+9+9+9		9,000	9,000	9,000	9,000		9,000	9,000	9,000	9,000	
9+9+9+12		9,000	9,000	9,000	12,000		9,000	9,000	9,000	12,000	
9+9+9+18	9,000	9,000	9,000	18,000		9,000	9,000	9,000	18,000		
9+9+9+24	9,000	9,000	9,000	24,000		9,000	9,000	9,000	24,000		
9+9+9+30	9,000	9,000	9,000	30,000		9,000	9,000	9,000	30,000		
9+9+9+36	9,000	9,000	9,000	36,000		9,000	9,000	9,000	36,000		
9+9+12+12	9,000	9,000	12,000	12,000		9,000	9,000	12,000	12,000		
9+9+12+18	9,000	9,000	12,000	18,000		9,000	9,000	12,000	18,000		
9+9+12+24	9,000	9,000	12,000	24,000		9,000	9,000	12,000	24,000		
9+9+12+30	9,000	9,000	12,000	30,000		9,000	9,000	12,000	30,000		
9+9+18+18	9,000	9,000	18,000	18,000		9,000	9,000	18,000	18,000		
9+9+18+24	9,000	9,000	18,000	24,000		9,000	9,000	18,000	24,000		
9+12+12+12	9,000	12,000	12,000	12,000		9,000	12,000	12,000	12,000		
9+12+12+18	9,000	12,000	12,000	18,000		9,000	12,000	12,000	18,000		
9+12+12+24	9,000	12,000	12,000	24,000		9,000	12,000	12,000	24,000		
9+12+18+18	9,000	12,000	18,000	18,000		9,000	12,000	18,000	18,000		
9+18+18+18	9,000	18,000	18,000	18,000		9,000	18,000	18,000	18,000		
12+12+12+12	12,000	12,000	12,000	12,000		12,000	12,000	12,000	12,000		
12+12+12+18	12,000	12,000	12,000	18,000		12,000	12,000	12,000	18,000		
12+12+12+24	12,000	12,000	12,000	24,000		12,000	12,000	12,000	24,000		
12+12+18+18	12,000	12,000	18,000	18,000		12,000	12,000	18,000	18,000		

	NO. ZONES	COOLING CAPACITY (BTU/H)					HEATING CAPACITY (BTU/H)				
		ZONE 1	ZONE 2	ZONE 3	ZONE 4	ZONE 5	ZONE 1	ZONE 2	ZONE 3	ZONE 4	ZONE 5
6+6+6+6+6	5-Zone	6,400	6,400	6,400	6,400	6,400	6,400	6,400	6,400	6,400	6,400
6+6+6+6+9		6,000	6,000	6,000	6,000	9,000	6,000	6,000	6,000	6,000	9,000
6+6+6+6+12		6,000	6,000	6,000	6,000	12,000	6,000	6,000	6,000	6,000	12,000
6+6+6+6+18		6,000	6,000	6,000	6,000	18,000	6,000	6,000	6,000	6,000	18,000
6+6+6+6+24		6,000	6,000	6,000	6,000	24,000	6,000	6,000	6,000	6,000	24,000
6+6+6+6+30		6,000	6,000	6,000	6,000	30,000	6,000	6,000	6,000	6,000	30,000
6+6+6+6+36		6,000	6,000	6,000	6,000	36,000	6,000	6,000	6,000	6,000	36,000
6+6+6+9+9		6,000	6,000	6,000	9,000	9,000	6,000	6,000	6,000	9,000	9,000
6+6+6+9+12		6,000	6,000	6,000	9,000	12,000	6,000	6,000	6,000	9,000	12,000
6+6+6+9+18		6,000	6,000	6,000	9,000	18,000	6,000	6,000	6,000	9,000	18,000
6+6+6+9+24		6,000	6,000	6,000	9,000	24,000	6,000	6,000	6,000	9,000	24,000
6+6+6+9+30		6,000	6,000	6,000	9,000	30,000	6,000	6,000	6,000	9,000	30,000
6+6+6+9+36		6,000	6,000	6,000	9,000	36,000	6,000	6,000	6,000	9,000	36,000
6+6+6+12+12		6,000	6,000	6,000	12,000	12,000	6,000	6,000	6,000	12,000	12,000
6+6+6+12+18		6,000	6,000	6,000	12,000	18,000	6,000	6,000	6,000	12,000	18,000
6+6+6+12+24		6,000	6,000	6,000	12,000	24,000	6,000	6,000	6,000	12,000	24,000
6+6+6+12+30		6,000	6,000	6,000	12,000	30,000	6,000	6,000	6,000	12,000	30,000
6+6+6+18+18		6,000	6,000	6,000	18,000	18,000	6,000	6,000	6,000	18,000	18,000
6+6+6+18+24		6,000	6,000	6,000	18,000	24,000	6,000	6,000	6,000	18,000	24,000
6+6+9+9+9		6,000	6,000	9,000	9,000	9,000	6,000	6,000	9,000	9,000	9,000
6+6+9+9+12		6,000	6,000	9,000	9,000	12,000	6,000	6,000	9,000	9,000	12,000
6+6+9+9+18		6,000	6,000	9,000	9,000	18,000	6,000	6,000	9,000	9,000	18,000
6+6+9+9+24		6,000	6,000	9,000	9,000	24,000	6,000	6,000	9,000	9,000	24,000
6+6+9+9+30		6,000	6,000	9,000	9,000	30,000	6,000	6,000	9,000	9,000	30,000
6+6+9+12+12		6,000	6,000	9,000	12,000	12,000	6,000	6,000	9,000	12,000	12,000
6+6+9+12+18		6,000	6,000	9,000	12,000	18,000	6,000	6,000	9,000	12,000	18,000
6+6+9+12+24		6,000	6,000	9,000	12,000	24,000	6,000	6,000	9,000	12,000	24,000
6+6+9+12+30		6,000	6,000	9,000	12,000	30,000	6,000	6,000	9,000	12,000	30,000
6+6+9+18+18		6,000	6,000	9,000	18,000	18,000	6,000	6,000	9,000	18,000	18,000
6+6+9+18+24		6,000	6,000	9,000	18,000	24,000	6,000	6,000	9,000	18,000	24,000
6+6+12+12+12		6,000	6,000	12,000	12,000	12,000	6,000	6,000	12,000	12,000	12,000
6+6+12+12+18		6,000	6,000	12,000	12,000	18,000	6,000	6,000	12,000	12,000	18,000
6+6+12+12+24		6,000	6,000	12,000	12,000	24,000	6,000	6,000	12,000	12,000	24,000
6+6+12+18+18		6,000	6,000	12,000	18,000	18,000	6,000	6,000	12,000	18,000	18,000
6+9+9+9+9		6,000	9,000	9,000	9,000	9,000	6,000	9,000	9,000	9,000	9,000
6+9+9+9+12		6,000	9,000	9,000	9,000	12,000	6,000	9,000	9,000	9,000	12,000
6+9+9+9+18		6,000	9,000	9,000	9,000	18,000	6,000	9,000	9,000	9,000	18,000
6+9+9+9+24		6,000	9,000	9,000	9,000	24,000	6,000	9,000	9,000	9,000	24,000
6+9+9+9+30		6,000	9,000	9,000	9,000	24,000	6,000	9,000	9,000	9,000	24,000
6+9+9+12+12		6,000	9,000	9,000	12,000	12,000	6,000	9,000	9,000	12,000	12,000
6+9+9+12+18		6,000	9,000	9,000	12,000	18,000	6,000	9,000	9,000	12,000	18,000
6+9+9+12+24		6,000	9,000	9,000	12,000	24,000	6,000	9,000	9,000	12,000	24,000
6+9+9+18+18	6,000	9,000	9,000	18,000	18,000	6,000	9,000	9,000	18,000	18,000	
6+9+12+12+12	6,000	9,000	12,000	12,000	12,000	6,000	9,000	12,000	12,000	12,000	
6+9+12+12+18	6,000	9,000	12,000	12,000	18,000	6,000	9,000	12,000	12,000	18,000	
6+9+12+12+24	6,000	9,000	12,000	12,000	24,000	6,000	9,000	12,000	12,000	24,000	
6+9+12+18+18	6,000	9,000	12,000	18,000	18,000	6,000	9,000	12,000	18,000	18,000	
6+12+12+12+12	6,000	12,000	12,000	12,000	12,000	6,000	12,000	12,000	12,000	12,000	
6+12+12+12+18	6,000	12,000	12,000	12,000	18,000	6,000	12,000	12,000	12,000	18,000	
9+9+9+9+9	9,000	9,000	9,000	9,000	9,000	9,000	9,000	9,000	9,000	9,000	
9+9+9+9+12	9,000	9,000	9,000	9,000	12,000	9,000	9,000	9,000	9,000	12,000	
9+9+9+9+18	9,000	9,000	9,000	9,000	18,000	9,000	9,000	9,000	9,000	18,000	
9+9+9+9+24	9,000	9,000	9,000	9,000	24,000	9,000	9,000	9,000	9,000	24,000	
9+9+9+12+12	9,000	9,000	9,000	12,000	12,000	9,000	9,000	9,000	12,000	12,000	
9+9+9+12+18	9,000	9,000	9,000	12,000	18,000	9,000	9,000	9,000	12,000	18,000	
9+9+9+18+18	9,000	9,000	9,000	18,000	18,000	9,000	9,000	9,000	18,000	18,000	
9+9+12+12+12	9,000	9,000	12,000	12,000	12,000	9,000	9,000	12,000	12,000	12,000	
9+9+12+12+18	9,000	9,000	12,000	12,000	18,000	9,000	9,000	12,000	12,000	18,000	
9+12+12+12+12	9,000	12,000	12,000	12,000	12,000	9,000	12,000	12,000	12,000	12,000	
9+12+12+12+18	9,000	12,000	12,000	12,000	18,000	9,000	12,000	12,000	12,000	18,000	
12+12+12+12+12	12,000	12,000	12,000	12,000	12,000	12,000	12,000	12,000	12,000	12,000	

	NO. ZONES	COOLING CAPACITY (BTU/H)					HEATING CAPACITY (BTU/H)				
		ZONE 1	ZONE 2	ZONE 3	ZONE 4	ZONE 5	ZONE 1	ZONE 2	ZONE 3	ZONE 4	ZONE 5
48HH - High Heat											
6+30	2-Zone	6,000	30,000				6,100	30,600			
6+36		6,000	36,000				6,100	36,800			
9+18		10,600	21,100				10,900	21,800			
9+24		9,000	24,000				9,200	24,500			
9+30		9,000	30,000				9,200	30,600			
9+36		9,000	36,000				9,200	36,800			
12+12		15,900	15,900				16,200	16,200			
12+18		12,700	19,000				13,000	19,400			
12+24		12,000	24,000				12,300	24,500			
12+30		12,000	30,000				12,300	30,600			
12+36		12,000	36,000				12,300	36,800			
18+18		18,000	18,000				18,400	18,400			
18+24		18,000	24,000				18,400	24,500			
18+30		18,000	30,000				18,400	30,600			
18+36		18,000	36,000				18,400	36,800			
24+24		24,000	24,000				24,500	24,500			
24+30		24,000	30,000				24,500	30,600			
24+36		24,000	36,000				24,500	36,800			
30+30		30,000	30,000				30,600	30,600			

	NO. ZONES	COOLING CAPACITY (BTU/H)					HEATING CAPACITY (BTU/H)				
		ZONE 1	ZONE 2	ZONE 3	ZONE 4	ZONE 5	ZONE 1	ZONE 2	ZONE 3	ZONE 4	ZONE 5
6+6+24	3-Zone	6,000	6,000	24,000			6,100	6,100	24,500		
6+6+30		6,000	6,000	30,000			6,100	6,100	30,600		
6+6+36		6,000	6,000	36,000			6,100	6,100	36,800		
6+9+12		7,000	10,600	14,100			7,200	10,900	14,600		
6+9+18		6,000	9,000	18,000			6,100	9,200	18,400		
6+9+24		6,000	9,000	24,000			6,100	9,200	24,500		
6+9+30		6,000	9,000	30,000			6,100	9,200	30,600		
6+9+36		6,000	9,000	36,000			6,100	9,200	36,800		
6+12+18		6,000	12,000	18,000			6,100	12,300	18,400		
6+12+24		6,000	12,000	24,000			6,100	12,300	24,500		
6+12+30		6,000	12,000	30,000			6,100	12,300	30,600		
6+12+36		6,000	12,000	36,000			6,100	12,300	36,800		
6+18+18		6,000	18,000	18,000			6,100	18,400	18,400		
6+18+24		6,000	18,000	24,000			6,100	18,400	24,500		
6+18+30		6,000	18,000	30,000			6,100	18,400	30,600		
6+18+36		6,000	18,000	36,000			6,100	18,400	36,800		
6+24+24		6,000	24,000	24,000			6,100	24,500	24,500		
6+24+30		6,000	24,000	30,000			6,100	24,500	30,600		
9+9+9		10,600	10,600	10,600			10,800	10,800	10,800		
9+9+12		9,500	9,500	12,700			9,700	9,700	13,000		
9+9+18		9,000	9,000	18,000			9,200	9,200	18,400		
9+9+24		9,000	9,000	24,000			9,200	9,200	24,500		
9+9+30		9,000	9,000	30,000			9,200	9,200	30,600		
9+9+36		9,000	9,000	36,000			9,200	9,200	36,800		
9+12+12		9,000	12,000	12,000			9,200	12,300	12,300		
9+12+18		9,000	12,000	18,000			9,200	12,300	18,400		
9+12+24		9,000	12,000	24,000			9,200	12,300	24,500		
9+12+30		9,000	12,000	30,000			9,200	12,300	30,600		
9+12+36		9,000	12,000	36,000			9,200	12,300	36,800		
9+18+18		9,000	18,000	18,000			9,200	18,400	18,400		
9+18+24	9,000	18,000	24,000			9,200	18,400	24,500			
9+18+30	9,000	18,000	30,000			9,200	18,400	30,600			
9+18+36	9,000	18,000	36,000			9,200	18,400	36,800			
9+24+24	9,000	24,000	24,000			9,200	24,500	24,500			
12+12+12	12,000	12,000	12,000			12,300	12,300	12,300			
12+12+18	12,000	12,000	18,000			12,300	12,300	18,400			
12+12+24	12,000	12,000	24,000			12,300	12,300	24,500			
12+12+30	12,000	12,000	30,000			12,300	12,300	30,600			
12+12+36	12,000	12,000	36,000			12,300	12,300	36,800			
12+18+18	12,000	16,500	16,500			12,300	16,800	16,800			
12+18+24	12,000	18,000	24,000			12,300	18,400	24,500			
12+18+30	12,000	18,000	30,000			12,300	18,400	30,600			
12+24+24	12,000	24,000	24,000			12,300	24,500	24,500			
18+18+18	18,000	18,000	18,000			18,400	18,400	18,400			
18+18+24	18,000	18,000	24,000			18,400	18,400	24,500			

	NO. ZONES	COOLING CAPACITY (BTU/H)					HEATING CAPACITY (BTU/H)				
		ZONE 1	ZONE 2	ZONE 3	ZONE 4	ZONE 5	ZONE 1	ZONE 2	ZONE 3	ZONE 4	ZONE 5
6+6+6+18	4-Zone	6,000	6,000	6,000	18,000		6,100	6,100	6,100	18,400	
6+6+6+24		6,000	6,000	6,000	24,000		6,100	6,100	6,100	24,500	
6+6+6+30		6,000	6,000	6,000	30,000		6,100	6,100	6,100	30,600	
6+6+6+36		6,000	6,000	6,000	36,000		6,100	6,100	6,100	36,800	
6+6+9+12		6,000	6,000	9,000	12,000		6,100	6,100	9,200	12,300	
6+6+9+18		6,000	6,000	9,000	18,000		6,100	6,100	9,200	18,400	
6+6+9+24		6,000	6,000	9,000	24,000		6,100	6,100	9,200	24,500	
6+6+9+30		6,000	6,000	9,000	30,000		6,100	6,100	9,200	30,600	
6+6+9+36		6,000	6,000	9,000	36,000		6,100	6,100	9,200	36,800	
6+6+12+12		6,000	6,000	12,000	12,000		6,100	6,100	12,300	12,300	
6+6+12+18		6,000	6,000	12,000	18,000		6,100	6,100	12,300	18,400	
6+6+12+24		6,000	6,000	12,000	24,000		6,100	6,100	12,300	24,500	
6+6+12+30		6,000	6,000	12,000	30,000		6,100	6,100	12,300	30,600	
6+6+12+36		6,000	6,000	12,000	36,000		6,100	6,100	12,300	36,800	
6+6+18+18		6,000	6,000	18,000	18,000		6,100	6,100	18,400	18,400	
6+6+18+24		6,000	6,000	18,000	24,000		6,100	6,100	18,400	24,500	
6+6+18+30		6,000	6,000	18,000	30,000		6,100	6,100	18,400	30,600	
6+6+24+24		6,000	6,000	24,000	24,000		6,100	6,100	24,500	24,500	
6+9+9+9		6,000	9,000	9,000	9,000		6,100	9,200	9,200	9,200	
6+9+9+12		6,000	9,000	9,000	12,000		6,100	9,200	9,200	12,300	
6+9+9+18		6,000	9,000	9,000	18,000		6,100	9,200	9,200	18,400	
6+9+9+24		6,000	9,000	9,000	24,000		6,100	9,200	9,200	24,500	
6+9+9+30		6,000	9,000	9,000	30,000		6,100	9,200	9,200	30,600	
6+9+9+36		6,000	9,000	9,000	36,000		6,100	9,200	9,200	36,800	
6+9+12+12		6,000	9,000	12,000	12,000		6,100	9,200	12,300	12,300	
6+9+12+18		6,000	9,000	12,000	18,000		6,100	9,200	12,300	18,400	
6+9+12+24		6,000	9,000	12,000	24,000		6,100	9,200	12,300	24,500	
6+9+12+30		6,000	9,000	12,000	30,000		6,100	9,200	12,300	30,600	
6+9+12+36		6,000	9,000	12,000	36,000		6,100	9,200	12,300	36,800	
6+9+18+18		6,000	9,000	18,000	18,000		6,100	9,200	18,400	18,400	
6+9+18+24		6,000	9,000	18,000	24,000		6,100	9,200	18,400	24,500	
6+9+18+30		6,000	9,000	18,000	30,000		6,100	9,200	18,400	30,600	
6+9+24+24		6,000	9,000	24,000	24,000		6,100	9,200	24,500	24,500	
6+12+12+12		6,000	12,000	12,000	12,000		6,100	12,300	12,300	12,300	
6+12+12+18		6,000	12,000	12,000	18,000		6,100	12,300	12,300	18,400	
6+12+12+24		6,000	12,000	12,000	24,000		6,100	12,300	12,300	24,500	
6+12+12+30		6,000	12,000	12,000	30,000		6,100	12,300	12,300	30,600	
6+12+18+18		6,000	12,000	18,000	18,000		6,100	12,300	18,400	18,400	
6+12+18+24		6,000	12,000	18,000	24,000		6,100	12,300	18,400	24,500	
6+18+18+18		6,000	18,000	18,000	18,000		6,100	18,400	18,400	18,400	
9+9+9+9		9,000	9,000	9,000	9,000		9,200	9,200	9,200	9,200	
9+9+9+12		9,000	9,000	9,000	12,000		9,200	9,200	9,200	12,300	
9+9+9+18		9,000	9,000	9,000	18,000		9,200	9,200	9,200	18,400	
9+9+9+24		9,000	9,000	9,000	24,000		9,200	9,200	9,200	24,500	
9+9+9+30		9,000	9,000	9,000	30,000		9,200	9,200	9,200	30,600	
9+9+9+36		9,000	9,000	9,000	36,000		9,200	9,200	9,200	36,800	
9+9+12+12		9,000	9,000	12,000	12,000		9,200	9,200	12,300	12,300	
9+9+12+18		9,000	9,000	12,000	18,000		9,200	9,200	12,300	18,400	
9+9+12+24	9,000	9,000	12,000	24,000		9,200	9,200	12,300	24,500		
9+9+12+30	9,000	9,000	12,000	30,000		9,200	9,200	12,300	30,600		
9+9+18+18	9,000	9,000	18,000	18,000		9,200	9,200	18,400	18,400		
9+9+18+24	9,000	9,000	18,000	24,000		9,200	9,200	18,400	24,500		
9+12+12+12	9,000	12,000	12,000	12,000		9,200	12,300	12,300	12,300		
9+12+12+18	9,000	12,000	12,000	18,000		9,200	12,300	12,300	18,400		
9+12+12+24	9,000	12,000	12,000	24,000		9,200	12,300	12,300	24,500		
9+12+18+18	9,000	12,000	18,000	18,000		9,200	12,300	18,400	18,400		
9+18+18+18	9,000	18,000	18,000	18,000		9,200	18,400	18,400	18,400		
12+12+12+12	12,000	12,000	12,000	12,000		12,300	12,300	12,300	12,300		
12+12+12+18	12,000	12,000	12,000	18,000		12,300	12,300	12,300	18,400		
12+12+12+24	12,000	12,000	12,000	24,000		12,300	12,300	12,300	24,500		
12+12+18+18	12,000	12,000	18,000	18,000		12,300	12,300	18,400	18,400		

	NO. ZONES	COOLING CAPACITY (BTU/H)					HEATING CAPACITY (BTU/H)				
		ZONE 1	ZONE 2	ZONE 3	ZONE 4	ZONE 5	ZONE 1	ZONE 2	ZONE 3	ZONE 4	ZONE 5
6+6+6+6+6	5-Zone	6,400	6,400	6,400	6,400	6,400	6,500	6,500	6,500	6,500	6,500
6+6+6+6+9		6,000	6,000	6,000	6,000	9,000	6,100	6,100	6,100	6,100	9,200
6+6+6+6+12		6,000	6,000	6,000	6,000	12,000	6,100	6,100	6,100	6,100	12,300
6+6+6+6+18		6,000	6,000	6,000	6,000	18,000	6,100	6,100	6,100	6,100	18,400
6+6+6+6+24		6,000	6,000	6,000	6,000	24,000	6,100	6,100	6,100	6,100	24,500
6+6+6+6+30		6,000	6,000	6,000	6,000	30,000	6,100	6,100	6,100	6,100	30,600
6+6+6+6+36		6,000	6,000	6,000	6,000	36,000	6,100	6,100	6,100	6,100	36,800
6+6+6+9+9		6,000	6,000	6,000	9,000	9,000	6,100	6,100	6,100	9,200	9,200
6+6+6+9+12		6,000	6,000	6,000	9,000	12,000	6,100	6,100	6,100	9,200	12,300
6+6+6+9+18		6,000	6,000	6,000	9,000	18,000	6,100	6,100	6,100	9,200	18,400
6+6+6+9+24		6,000	6,000	6,000	9,000	24,000	6,100	6,100	6,100	9,200	24,500
6+6+6+9+30		6,000	6,000	6,000	9,000	30,000	6,100	6,100	6,100	9,200	30,600
6+6+6+9+36		6,000	6,000	6,000	9,000	36,000	6,100	6,100	6,100	9,200	36,800
6+6+6+12+12		6,000	6,000	6,000	12,000	12,000	6,100	6,100	6,100	12,300	12,300
6+6+6+12+18		6,000	6,000	6,000	12,000	18,000	6,100	6,100	6,100	12,300	18,400
6+6+6+12+24		6,000	6,000	6,000	12,000	24,000	6,100	6,100	6,100	12,300	24,500
6+6+6+12+30		6,000	6,000	6,000	12,000	30,000	6,100	6,100	6,100	12,300	30,600
6+6+6+18+18		6,000	6,000	6,000	18,000	18,000	6,100	6,100	6,100	18,400	18,400
6+6+6+18+24		6,000	6,000	6,000	18,000	24,000	6,100	6,100	6,100	18,400	24,500
6+6+9+9+9		6,000	6,000	9,000	9,000	9,000	6,100	6,100	9,200	9,200	9,200
6+6+9+9+12		6,000	6,000	9,000	9,000	12,000	6,100	6,100	9,200	9,200	12,300
6+6+9+9+18		6,000	6,000	9,000	9,000	18,000	6,100	6,100	9,200	9,200	18,400
6+6+9+9+24		6,000	6,000	9,000	9,000	24,000	6,100	6,100	9,200	9,200	24,500
6+6+9+9+30		6,000	6,000	9,000	9,000	30,000	6,100	6,100	9,200	9,200	30,600
6+6+9+12+12		6,000	6,000	9,000	12,000	12,000	6,100	6,100	9,200	12,300	12,300
6+6+9+12+18		6,000	6,000	9,000	12,000	18,000	6,100	6,100	9,200	12,300	18,400
6+6+9+12+24		6,000	6,000	9,000	12,000	24,000	6,100	6,100	9,200	12,300	24,500
6+6+9+12+30		6,000	6,000	9,000	12,000	30,000	6,100	6,100	9,200	12,300	30,600
6+6+9+18+18		6,000	6,000	9,000	18,000	18,000	6,100	6,100	9,200	18,400	18,400
6+6+9+18+24		6,000	6,000	9,000	18,000	24,000	6,100	6,100	9,200	18,400	24,500
6+6+12+12+12		6,000	6,000	12,000	12,000	12,000	6,100	6,100	12,300	12,300	12,300
6+6+12+12+18		6,000	6,000	12,000	12,000	18,000	6,100	6,100	12,300	12,300	18,400
6+6+12+12+24		6,000	6,000	12,000	12,000	24,000	6,100	6,100	12,300	12,300	24,500
6+6+12+18+18		6,000	6,000	12,000	18,000	18,000	6,100	6,100	12,300	18,400	18,400
6+9+9+9+9		6,000	9,000	9,000	9,000	9,000	6,100	9,200	9,200	9,200	9,200
6+9+9+9+12		6,000	9,000	9,000	9,000	12,000	6,100	9,200	9,200	9,200	12,300
6+9+9+9+18		6,000	9,000	9,000	9,000	18,000	6,100	9,200	9,200	9,200	18,400
6+9+9+9+24		6,000	9,000	9,000	9,000	24,000	6,100	9,200	9,200	9,200	24,500
6+9+9+9+30		6,000	9,000	9,000	9,000	30,000	6,100	9,200	9,200	9,200	30,600
6+9+9+12+12		6,000	9,000	9,000	12,000	12,000	6,100	9,200	9,200	12,300	12,300
6+9+9+12+18		6,000	9,000	9,000	12,000	18,000	6,100	9,200	9,200	12,300	18,400
6+9+9+12+24		6,000	9,000	9,000	12,000	24,000	6,100	9,200	9,200	12,300	24,500
6+9+9+18+18		6,000	9,000	9,000	18,000	18,000	6,100	9,200	9,200	18,400	18,400
6+9+12+12+12		6,000	9,000	12,000	12,000	12,000	6,100	9,200	12,300	12,300	12,300
6+9+12+12+18		6,000	9,000	12,000	12,000	18,000	6,100	9,200	12,300	12,300	18,400
6+9+12+12+24		6,000	9,000	12,000	12,000	24,000	6,100	9,200	12,300	12,300	24,500
6+9+12+18+18		6,000	9,000	12,000	18,000	18,000	6,100	9,200	12,300	18,400	18,400
6+12+12+12+12		6,000	12,000	12,000	12,000	12,000	6,100	12,300	12,300	12,300	12,300
6+12+12+12+18	6,000	12,000	12,000	12,000	18,000	6,100	12,300	12,300	12,300	18,400	
9+9+9+9+9	9,000	9,000	9,000	9,000	9,000	9,200	9,200	9,200	9,200	9,200	
9+9+9+9+12	9,000	9,000	9,000	9,000	12,000	9,200	9,200	9,200	9,200	12,300	
9+9+9+9+18	9,000	9,000	9,000	9,000	18,000	9,200	9,200	9,200	9,200	18,400	
9+9+9+9+24	9,000	9,000	9,000	9,000	24,000	9,200	9,200	9,200	9,200	24,500	
9+9+9+12+12	9,000	9,000	9,000	12,000	12,000	9,200	9,200	9,200	12,300	12,300	
9+9+9+12+18	9,000	9,000	9,000	12,000	18,000	9,200	9,200	9,200	12,300	18,400	
9+9+9+18+18	9,000	9,000	9,000	18,000	18,000	9,200	9,200	9,200	18,400	18,400	
9+9+12+12+12	9,000	9,000	12,000	12,000	12,000	9,200	9,200	12,300	12,300	12,300	
9+9+12+12+18	9,000	9,000	12,000	12,000	18,000	9,200	9,200	12,300	12,300	18,400	
9+12+12+12+12	9,000	12,000	12,000	12,000	12,000	9,200	12,300	12,300	12,300	12,300	
9+12+12+12+18	9,000	12,000	12,000	12,000	18,000	9,200	12,300	12,300	12,300	18,400	
12+12+12+12+12	12,000	12,000	12,000	12,000	12,000	12,300	12,300	12,300	12,300	12,300	

UNIT MOUNTING (OUTDOOR)

Refer to the unit’s installation instructions for further details.

Support – A location which can bear the weight of outdoor unit.

See “” on page 9 for weights, and “DIMENSIONS” on page 5.

Unit Leveling – For reliable operation, units should be level in all planes.

Clearances – Minimum clearances (See Figs. 8 and 9 on page 9), must be provided for airflow. The outdoor units are designed for free-blow applications. Air inlets and outlets should not be restricted.

Unit location – A location which is convenient to installation and not exposed to strong wind.

NOTE: Do not install the indoor or outdoor units in a location with special environmental conditions. For those applications, contact your sales representative.

System Operating Conditions

	COOLING	HEATING
Outdoor DB	-22 / 122°F (30/ 50°C)	-22 / 75°F (-30 / 24°C)

Metering Devices

The outdoor unit has multiple electronic expansion valves to manage the refrigerant flow to the different indoor fan coils connected to that unit.

WIRING

All wires must be sized per NEC (National Electrical Code) or CEC (Canadian Electrical Code) and local codes. Use Electrical Data table MCA (minimum circuit amps) and MOCP (maximum over current protection) to correctly size the wires and the disconnect fuse or breakers respectively.

RECOMMENDED CONNECTION METHOD FOR POWER AND COMMUNICATION WIRING:

The main power is supplied to the outdoor unit. The field supplied 14/3 stranded wire with ground with a 600 volt insulation rating, power/communication wiring from the outdoor unit to indoor unit consists of four (4) wires and provides the power for the indoor unit. Two wires are line voltage AC power, one is communication wiring (S) and the other is a ground wire. Wiring between indoor and outdoor unit is polarity sensitive. The use of BX wire is **NOT** recommended.

If installed in a high Electromagnetic field (EMF) area and communication issues exists, a 14/2 stranded shielded wire can be used to replace L2 and (S) between outdoor unit and indoor unit landing the shield onto ground in the outdoor unit only.

CABLE	CABLE SIZE	REMARKS
Connection Cable	14AWG	3 wire + Ground 1 ϕ 208/230 V



WARNING

EQUIPMENT DAMAGE HAZARD

Failure to follow this caution may result in equipment damage or improper operation.
Wires should be sized based on NEC and local codes.



WARNING

EQUIPMENT DAMAGE HAZARD

Failure to follow this caution may result in equipment damage or improper operation.
Be sure to comply with local codes while running wire from the indoor unit to the outdoor unit.
Every wire must be connected firmly. Loose wiring may cause the terminal to overheat or result in unit malfunction. A fire hazard may also exist. Ensure all wiring is tightly connected.
No wire should touch the refrigerant tubing, compressor or any moving parts.
Disconnecting means must be provided and shall be located within sight and readily accessible from the air conditioner.
Follow Local Codes.
Connecting cable with conduit shall be routed through the hole in the conduit panel.

PIPING REQUIREMENTS

IMPORTANT: Both refrigerant lines must be insulated separately.

The minimum refrigerant line length between the indoor and outdoor units is 10 ft. (3 m). The following lengths are allowed. The following **Refrigerant Piping Table** lists the pipe sizes for the outdoor unit. For the indoor unit pipe sizes refer to the indoor unit installation instructions.

Refrigerant Piping:

Line sets to be sized based on the connection size of the indoor unit. Each pipe should be insulated individually.

DLCMRBH / DLCMHBH SIZE		18R	24HH	30HH	36R	36HH	48R	48HH
(208/230 V)								
Min. Piping Length per each indoor unit	ft. (m)	10 (3)						
Standard Piping Length per each indoor unit	ft. (m)	25 (7.5)						
Max. outdoor-indoor height difference (OU higher than IU)	ft. (m)	49(15)	49(15)	49(15)	49(15)	65(20)	65(20)	65(20)
Max. outdoor-indoor height difference (IU higher than OU)	ft. (m)	49(15)	49(15)	49(15)	49(15)	65(20)	65(20)	65(20)
Max. height different between indoor units	ft. (m)	32 (10)						
Max. Length per each indoor unit	ft. (m)	82 (25)	98 (30)	115(35)	115(35)	115(35)	115 (35)	115 (35)
Max. Piping Length with no additional refrigerant charge per System (Standard Piping length x No. of Zones)	ft. (m)	50 (15)	75 (22)	100 (30)	100 (30)	100 (30)	125 (37.5)	125 (37.5)
Total Maximum Piping Length per system	ft. (m)	131(40)	197(60)	262(80)	262(80)	262(80)	328(100)	328(100)
Additional refrigerant charge (between Standard – Max piping length)	Oz/ft (g/m)	0.16 (15)						
Number of IDU		2	3	4	4	4	5	5
Suction Pipe (size - connection type)	in	3/8*2	3/8*3	1/2 *1+ 3/8*3	1/2 *1+ 3/8*3	1/2 *2+ 3/8*2	1/2 *2+ 3/8*3	1/2 *2+ 3/8*3
	(mm)	9.52*2	9.52*3	12.7*1+9.52*3	12.7*1+9.52*3	12.7*2+9.52*2	12.7*2+9.52*3	12.7*2+9.52*3
Liquid Pipe (size - connection type)	in	1/4*2	1/4*3	1/4*4	1/4*4	1/4*4	1/4*5	1/4*5
	(mm)	6.35*2	6.35*3	6.35*4	6.35*4	6.35*4	6.35*5	6.35*5
Refrigerant Type		R410A						
Charge Amount	Lbs (kg)	4.08(1.85)	5.73(2.6)	8.38(3.8)	8.38(3.8)	10.14 (4.6)	10.14 (4.6)	10.14(4.6)

NOTE: For piping runs greater than the “Maximum Piping Length with no additional refrigerant charge per System”, see the Additional Refrigerant Charge note in the Long-Line Applications section.

NOTE: A maximum two (2) AHUs can be added to a MZ system. Refer to the application tables in the product data for allowed combinations. Regardless of size, when two (2) AHUs are connected to any MZ ODU, no other indoor units can be added to the system. If a 30K or 36K AHU is connected to a any outdoor unit, 500g (17.6 Oz) of additional refrigerant charge has to be added to the system. 30K or 36K indoor units are not compatible with phased out models.

General Guidelines:

1. The outdoor units are shipped with a full charge of R-410A refrigerant. For runs over the Maximum Piping Length with no additional refrigerant charge per system, consult “Refrigerant Piping:” on page 134 for proper charge adjustments.
2. Refrigerant lines should not be buried in the ground. If it is necessary to bury the lines, do not bury more than 36 inches (914 mm). Provide a minimum of 6 inch (152 mm) vertical rise to the service valves to prevent refrigerant migration.
3. Both lines must be insulated. Use a minimum of ½-inch (12.7 mm) thick insulation. Closed-cell insulation is recommended in all long-line applications.

4. Special consideration should be given to isolating the interconnecting tubing from the building structure. Isolate the tubing so vibration or noise does not transmit into the structure.

Long-Line Applications

No change in line sizing is required.

Drain Connections

Install drains that meet the local sanitation codes.

Control System

The **DLCMRBH** and **DLCMHBH** unit is equipped with a microprocessor control to operate the system and give optimum levels of comfort and operating efficiency. There are microprocessor boards and thermistors located in both the indoor and outdoor units. The thermistors monitor the system operation and control the operating mode.

Sequence of Operation

NOTE: Simultaneous heating and cooling is not allowed.

The **HEATING** mode is the system's primary mode and the mode controls the operation mode for the remaining indoor units connected to the same outdoor unit. If any unit in the system is set to the **HEATING** mode, the system switches to heat. If any unit is in the **COOLING** mode, while any unit in the system is set to the **HEATING** mode, the units set to **COOLING** enter the **CONFLICT** mode and an error message appears on the units in the **COOLING** mode.

All units must be set to the **COOLING** or **FAN** mode for the system to cool. When a unit is set to the **COOL**, **HEAT** or **DRY** mode, the electronic expansion valve is initialized first (closed) and then it is opened to a preset position.

SUPERHEAT heating for each fan coil (the ones that are energized) is monitored and the position of the electronic expansion valve is adjusted to ensure that each fan coil gets the appropriate amount of refrigerant to maintain the required superheat. In the **COOLING** mode, after the set point is satisfied, the electronic expansion valve remains open for a specified time to ensure the system pressures equalize. In the **HEATING** mode, after the set point is satisfied, the electronic expansion valve remains open to ensure proper oil flow back and to maintain a low pressure.

When the system is set for the **COOL**, **HEAT** or **DRY** mode, the compressor speed is varied by comparing the indoor air temperature with the set point and continuously adjusting the compressor speed (to keep the compressor running as long as possible) in an effort to maintain the greatest comfort possible.

The indoor fan can run in either the **MANUAL** or **AUTO** mode. When the fan runs in the **AUTO** mode, the speed is determined by comparing the room temperature to the set point.

For High Walls and Floor Console Fan Coils, when the set point is satisfied, the fan speed is reduced. For Cassettes and Ducted Fan Coils when the set point is satisfied, the fan continues to run. The Fan Coils are not de-energized.

When the unit goes through the defrost cycle, the indoor fans are de-energized and the refrigerant is circulated through all the fan coils (even if they are off or were in the standby mode before the defrost cycle) to maximize the heat transfer surface area available for defrost operation.



WARNING

AUTO mode is recommended for use on single zone applications **ONLY**. **AUTO** mode is **NOT** recommended for use on multi-zone applications.

Using **AUTO** changeover on multi-zone applications could set an indoor unit to **Standby** mode, indicated as (--) on the display, and turn off the indoor unit until all the indoor units are on the same mode (**COOLING** or **HEATING**).

HEATING mode is the priority for the system. Simultaneous **HEATING** and **COOLING** is not allowed.

AIRFLOW DATA

UNIT SIZE	18R	24HH	30HH	36R	36HH	48R	48HH
	(208/230V)						
OUTDOOR (CFM)	1765	2129	2147	2147	4500	4500	4500

SOUND PRESSURE

SYSTEM SIZE		18R	24HH	30HH	30R	36HH	48R	48HH
		(208/230 V)						
Outdoor Sound Pressure Level	dB(A)	58.5	61.0	63.0	63.0	64.0	64.0	65.0
Outdoor Sound Power Level	dB(A)	67.0	68.0	70.5	70.5	72.0	72.0	73.0

SOUND POWER IN OCTAVE BANDS

	Frequency (Hz)	63	125	250	500	1000	2000	4000	8000
2 ZONE 18R	Cooling dB(A)	53.6	60.4	54.8	53.3	50	44.4	39.8	36.5
	Heating dB(A)	56.3	63.5	59.2	55.8	55	48.2	43.9	40.8
3 ZONE 24HH (High Heat)	Cooling dB(A)	59.2	60.6	58.3	52.9	53.5	48.2	44.7	38.5
	Heating dB(A)	60.6	61.8	60.1	57.1	55.9	52.3	48	43.3
4 ZONE 30R (Standard) 30HH (High Heat) and 36R (Standard)	Cooling dB(A)	60.8	62.7	59.5	55.8	54.2	50.1	46.9	40.7
	Heating dB(A)	63.9	64.2	63	57.9	57.6	53.5	50.9	45.1
4 ZONE 36HH (High Heat)	Cooling dB(A)	47.4	49.8	52.2	53.4	56.9	52.3	48.5	45.1
	Heating dB(A)	47.4	46.1	50.1	57.7	57.2	51.8	47.6	45.5
5 ZONE 48R (Standard)	Cooling dB(A)	43.7	49.9	49.2	53.9	57.3	51.9	46.8	42.6
	Heating dB(A)	49.2	48.2	48.5	53.4	58.3	53.2	47.8	43.7
5 ZONE 48HH (High Heat)	Cooling dB(A)	62.4	62.0	57.1	57.1	53.8	47.7	44	39.9
	Heating dB(A)	68.5	65.2	67.6	59.2	58.6	53.3	49.8	45.9

OUTDOOR UNIT SOUND PRESSURE TEST CONDITIONS

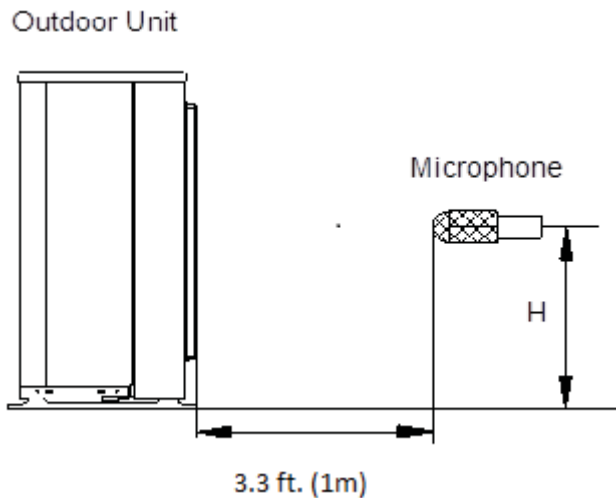


Fig. 1 — Outdoor Unit Sound Pressure Test Conditions

NOTE: H = 0.5 x Height of the outdoor unit.

	INDOOR CONDITION		OUTDOOR CONDITION	
	DB	WB	DB	WB
COOLING	80.6°F (27°C)	66.2°F (19°C)	95°F (35°C)	75.2°F (24°C)
HEATING	68°F (20°C)	59°F (15°C)	44.6°F (7°C)	42.8°F (6°C)

FAN AND MOTOR SPECIFICATIONS

38MG(R/H)		18R	24HH	30HH	36R	36HH	48R	48HH	
		(208/230 V)							
Outdoor Fan	Material	AS							
	Type	ZL-535*133*12-3KFN	ZL560*139*12-3KN	ZL560*139*12-3KN	ZL560*139*12-3KN	ZL554*148*12-3KFN	ZL554*148*12-3KFN	ZL554*148*12-3KFN	
	Diameter	inch 21(535)	22(560)	22(560)	22(560)	21.81(554)	21.81(554)	21.81(554)	
	Height	inch 5.24(133)	5.47(139)	5.47(139)	5.47(139)	5.83(148)	5.83(148)	5.83(148)	
Outdoor Fan Motor	Model	ZKFN-80-8-3	ZKFN-120-8-2	ZKFN-120-8-2	ZKFN-120-8-2	ZKFN-85-8-22-5	ZKFN-85-8-22-5	ZKFN-85-8-22-5	
	Volts	V	208/230						
	Phase		1						
	Hertz	Hz	60						
	FLA		1.0	1.7	1.0	1.0	2.5	2.5	2.0
	Rated HP	HP	0.1	0.16	0.16	0.16	0.11	0.11	0.11
	Output	W	80	120	120	120	85	85	85
	Type		DC						
	Insulation class		E						
	Safe class		IPX4						
	Input	W	88	156	156	156	108	108	108
	Range of current	Amps	0.73±10%	1.34±10%	1.34±10%	1.34±10%	0.92±10%	0.92±10%	0.92±10%
	Rated current	Amps	0.73	1.34	1.34	1.34	0.92	0.92	0.92
	Speed	rev/min	850~200	900~150	1000~150	1000~150	870~300	870~300	850~320
	Rated RPM	rev/min	750.0	850.0	900.0	900.0	800.0	800.0	800.0
Max. input	W	120.0	170.0	170.0	170.0	126.0	126.0	126.0	

ELECTRICAL DATA

Outdoor Unit		18R	24HH	30HH	36R	36HH	48R	48HH
MCA	A	18	24.5	25	25	40	40	40
MOCP	A	25	30	40	40	60	60	60
Voltage-Phase-Frequency		208/230-1-60						
Max – Min Voltage Range	V	253-187						
COOLING								
Running current	(A)	6.2	11	13.6	18	12	17.4	18
Power consumption	(W)	1355	2240	3125	3125	2660	3840	4150
Power factor	(%)	0.971	0.954	0.972	0.972	0.96	0.96	0.984
HEATING								
Running current range	(A)	6.3	10.5	13	13	12.7	17.7	17.8
Power consumption	(W)	1420	2200	3000	3000	2800	3900	4000
Power factor	(%)	0.971	0.954	0.972	0.972	0.96	0.96	0.984

*Permissible limits of the voltage range at which the unit operates satisfactorily.

LEGEND

FLA - Full Load Amps
MCA - Minimum Circuit Amps
MOCP - Maximum Over Current Protection
RLA - Rated Load Amps

WIRING DIAGRAMS

18R (Standard) - 2 Zone

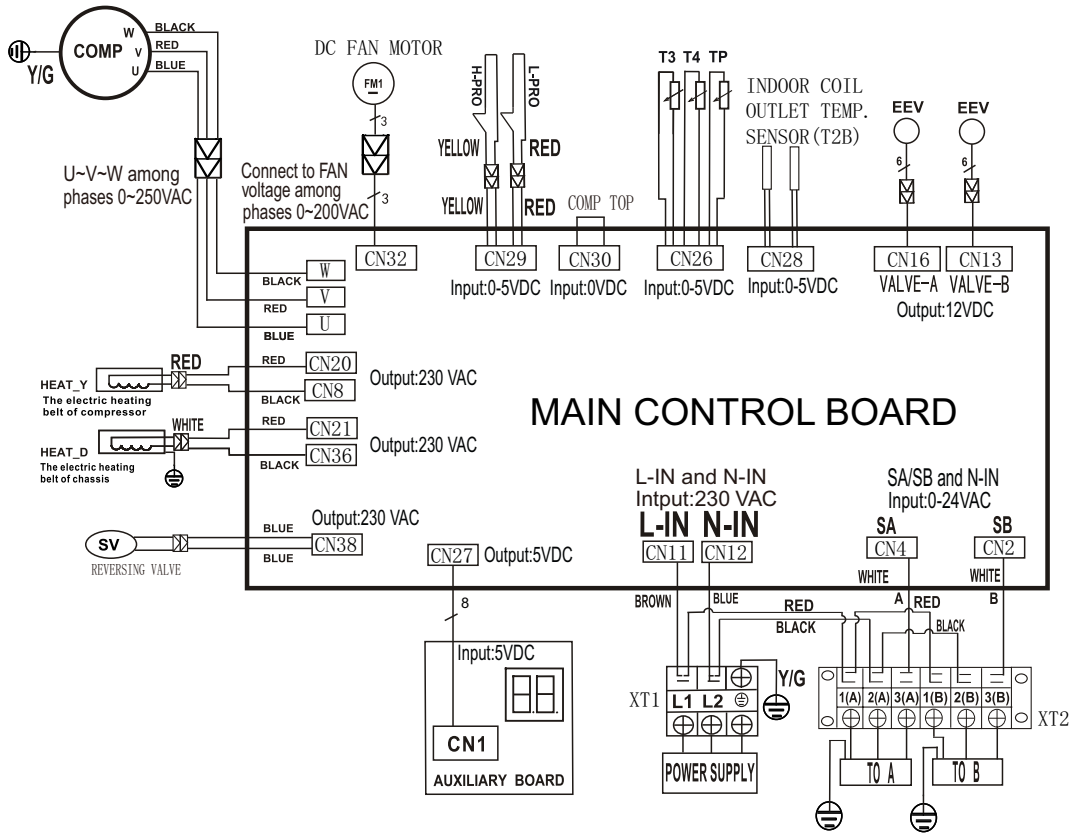


Fig. 2 — Wiring Diagram 18R (Standard) - 2 Zone

CODE	PART NAME
COMP	Compressor
EEV	Electric Expansion Valve
FM1	DC Fan Motor
HEAT_D	Chassis Heater
HEAT_Y	Crankcase Heater
H-PRO	High Pressure Switch
L-PRO	Low Pressure Switch
SV	Reversing Valve
TP	Comp. Discharge Temperature Sensor
T3	Outdoor Coil Temperature Sensor
T4	Outdoor Ambient Temperature Sensor
COMP TOP	Compressor TOP OLP Temperature Sensor

WIRING DIAGRAMS (CONT)

24HH (High Heat) - 3 Zone Max

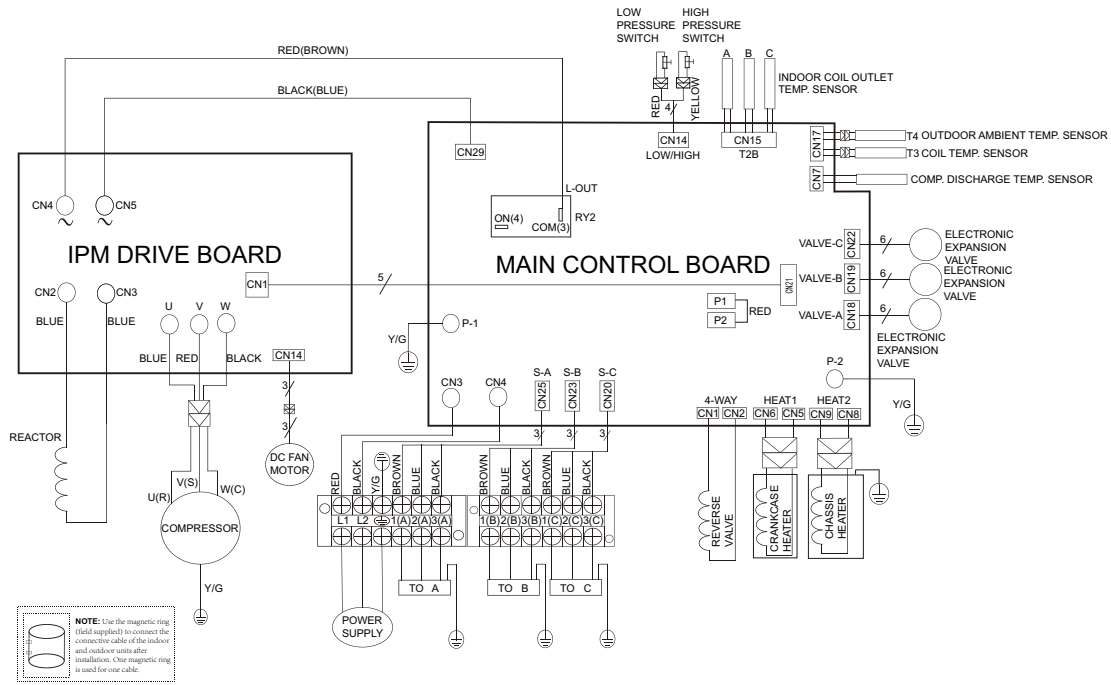


Fig. 3 — Wiring Diagram 24HH (High Heat) - 3 Zone

CODE	PART NAME
CN3~CN4	Input: 230VAC High voltage
CN20,CN23,CN25	Output: Pin1 (Connection of the high voltage)---"S" Pin2~Pin3 (230VAC High voltage)---"L1&L2"
P1~P2	Output: Short Circuit with Red Wire
CN1~CN2	Output: 230VAC High voltage --- 4 Way Valve
CN5~CN6	Output: 230VAC High voltage --- Compressor Crankcase Heater
CN8~CN9	Output: 230VAC High voltage --- Chassis Crankcase Heater
P-1~P-2	Ground wire
CN18,CN19,CN22	Output: Pin1-Pin4: Pulse waveform (0-12VDC), Pin5, Pin6 (12VDC)---EEV
CN7	Input: Pin1 (0-5VDC), Pin2 (5VDC) --- Discharge Sensor
CN17	Input: Pin3, Pin4 (5VDC), Pin2 (0VDC), Pin1, Pin5 (0-5VDC)-OUD Conditioner Temperature
CN15	Input: Pin1, Pin3, Pin5 (5VDC) Pin2, Pin4, Pin6 (0-5VDC) --- IDU Pipe Temp
CN14	Input: Pin2, Pin4 (0VDC), Pin1, Pin3 (0-5VDC) --- H/L Pressure Switch
CN12	Input: Pin1 (5VDC), Pin2 (0-5VDC) --- Compressor Temp
CN29~L-OUT	Output: 230VAC High voltage to IPM Board
CN21	Connect to the IPM BOARD

CODE	OUTDOOR UNIT IPM DRIVE BOARD
CN4~CN5	Input: 230VAC High voltage - from main board
CN2~CN3	Output: Connection of the REACTOR
U~V~W	Connect to compressor voltage among phases 0~200VAC
CN14	Connect to the DC FAN
CN1	Connect to the MAIN BOARD

WIRING DIAGRAMS (CONT)

30HH (High Heat), 36R (Standard) - 4 Zone

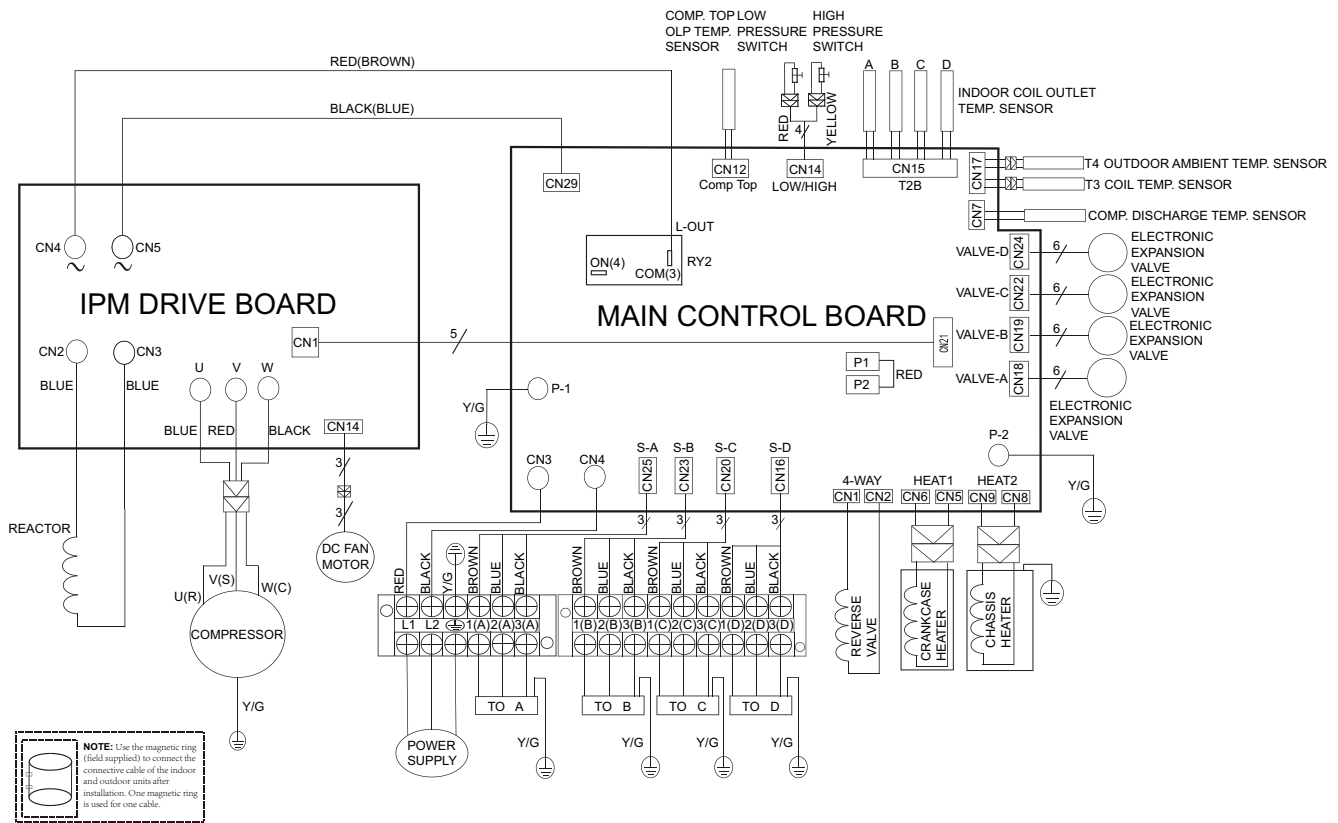


Fig. 4 — Wiring Diagram 30HH (High Heat), 36R (Standard) - 4 Zone

CODE	PART NAME
CN3~CN4	Input: 230VAC High voltage
CN16~CN20 CN23, CN25	Output: Pin1(Connection of the high voltage)---"S" Pin2~Pin3(230VAC High Voltage)---"L1&L2"
P-1~P2	Output: Short Circuit with RED WIRE
CN1~CN2	Output: 230VAC High voltage---4-WAY VALVE
CN5~CN6	Output: 230VAC High voltage -- COMPRESSOR CRANKCASE HEATER
CN8~CN9	Output: 230VAC High voltage -- CHASIS CRANKCASE HEATER
P-1~P-2	Connection to the earth
CN18,CN19, CN22,CN24	Output: Pin-Pin4:Pulse waveform (0-12VDC),Pin5,Pin6(12VDC)--EEV
CN7	Input: Pin1 (0-5VDC)--Discharge Sensor
CN17	Input:Pin3,Pin4(5VDC),Pin5(0-5VDC)---OUD Cond. Temperature
CN15	Input:Pin1,Pin3,Pin5,Pin7(5VDC)Pin2,Pin4,Pin6Pin8,(0-5VDC)---IDO PIPE TEMP
CN14	Input:Pin2,Pin4(0-5VDC,Pin1,Pin3(0VDC)---H/L Pressure Switch
CN12	Input:Pin1(5VDC),Pin2(0-5VDC)---Compressor Temp.
CN29-L-OUT	Output:230VAC High Voltage--To IPM Board
CN21	Connect to IPM Board

CODE	OUTDOOR UNIT PFC AND IPM BOARD
CN4~CN5	Input: 230VAC High voltage---From Main Board
CN2~CN3	Output: Connection to the REACTOR
U~V~W	Connect to compressor voltage among phases 0~200VAC
CN14	Connection the DC FAN
CN1	Connection to MAIN BOARD

WIRING DIAGRAMS (CONT)

36HH (High Heat) - 4 Zone

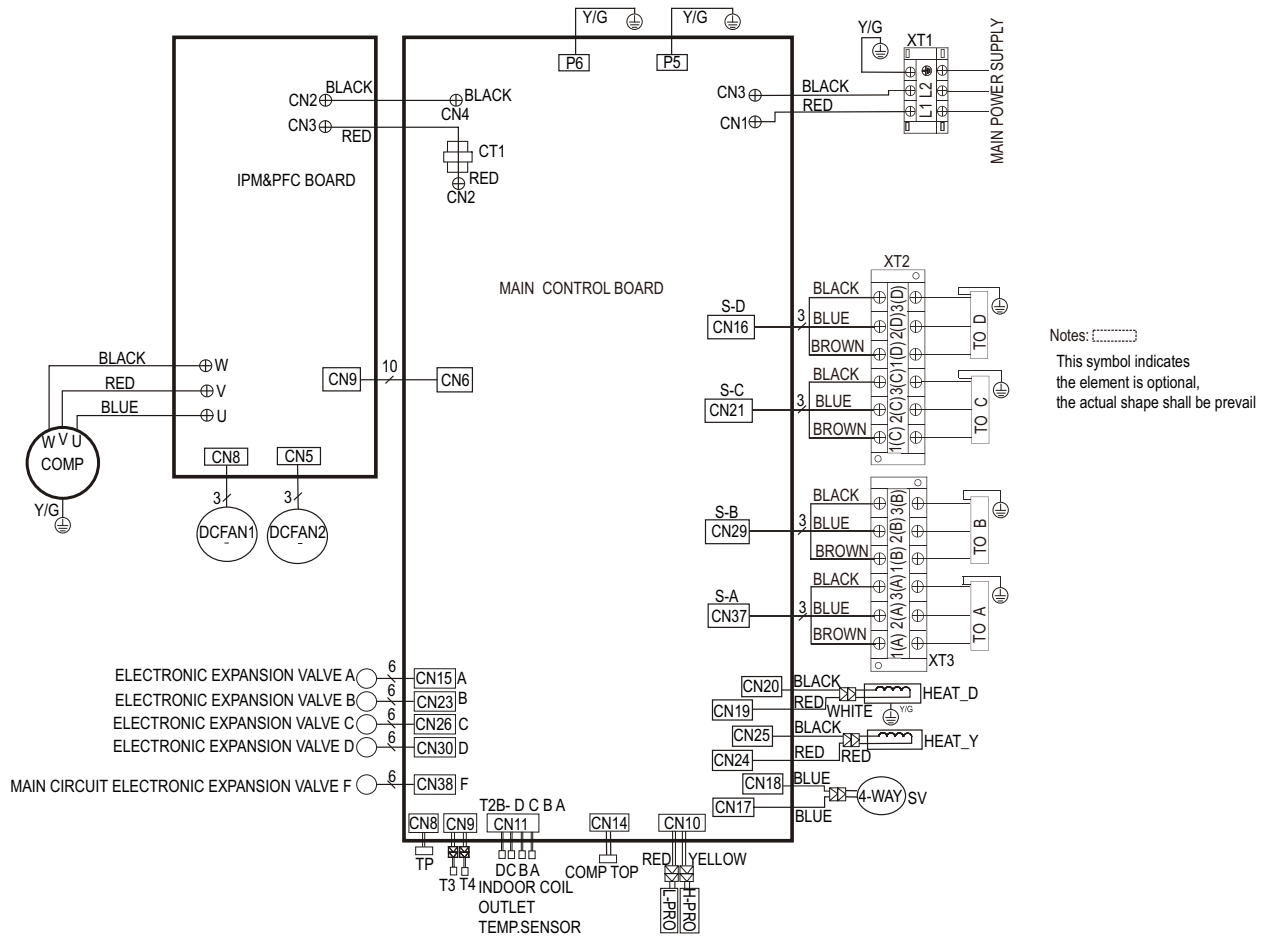


Fig. 5 — Wiring Diagram 36HH (High Heat) - 4 Zone Max

CODE	OUTDOOR UNIT MAIN BOARD SIZE 36R
CN1~ CN3	Input: 230VAC High voltage
CN16, CN21, CN29, CN37	Output: Pin1(Connection of the high voltage) "S" Pin2~ Pin3 (230VAC High voltage)"L1 & L2"
P5, P6	Connection to the earth
CN17~ CN18	Output: 230VAC High voltage --- REVERSING VALVE
CN24~CN25	Output: 230VAC High voltage --- CRANKCASE HEATER
CN19~ CN20	Output: 230VAC High voltage --- CHASSIS HEATER
CN11	Input: Pin1, Pin3, Pin5, Pin7, Pin9 (5VDC) Pin2, Pin4, Pin6, Pin8, Pin10 (0-5VDC) indoor coil outlet TEMP. SENSOR
CN8	Input: Pin1 (0-5VDC), Pin2 (5VDC)
CN9	Input: Pin3, Pin4 (5VDC), Pin2 (0VDC), Pin1, Pin5 (0-5VDC)
CN15, CN23, CN26 CN30, CN33, CN38	Output: Pin1-Pin4: Pulse waveform (0-12VDC), Pin5, Pin6 (12VDC) to EEV
CN6	Communication: Pin1-Pin6: Pulse waveform (0-5VDC), Pin7, Pin9 (0VDC) Pin8 (0-5VDC), Pin10 (5VDC)--to IPM & PFC board
CN2~ CN4	Output: 230VAC High voltage to IPM & PFC Board
CN10	Input: Pin2, Pin4 (0VDC), Pin1, Pin3 (0-5VDC)--H/L Pressure switch
CN14	Input:Pin1(5VDC),Pin2(0-5VDC--COMP. TOP OLP TEMP SENSOR

CODE	OUTDOOR UNIT PFC AND IPM BOARD SIZE 36R
CN2~CN3	Input230VAC High voltage
CN9	Communication: Pin1-Pin6: Pulse waveform (0-5VDC), Pin7, Pin9 (0VDC), Pin10 (5VDC) to outdoor main control board
U~V~W	Connect to compressor voltage among phases 0~250VAC
CN8, CN5	Connect to DCFAN voltage among phases 0~200VAC

WIRING DIAGRAM (CONT)

48R (Standard) - 5 Zone Max

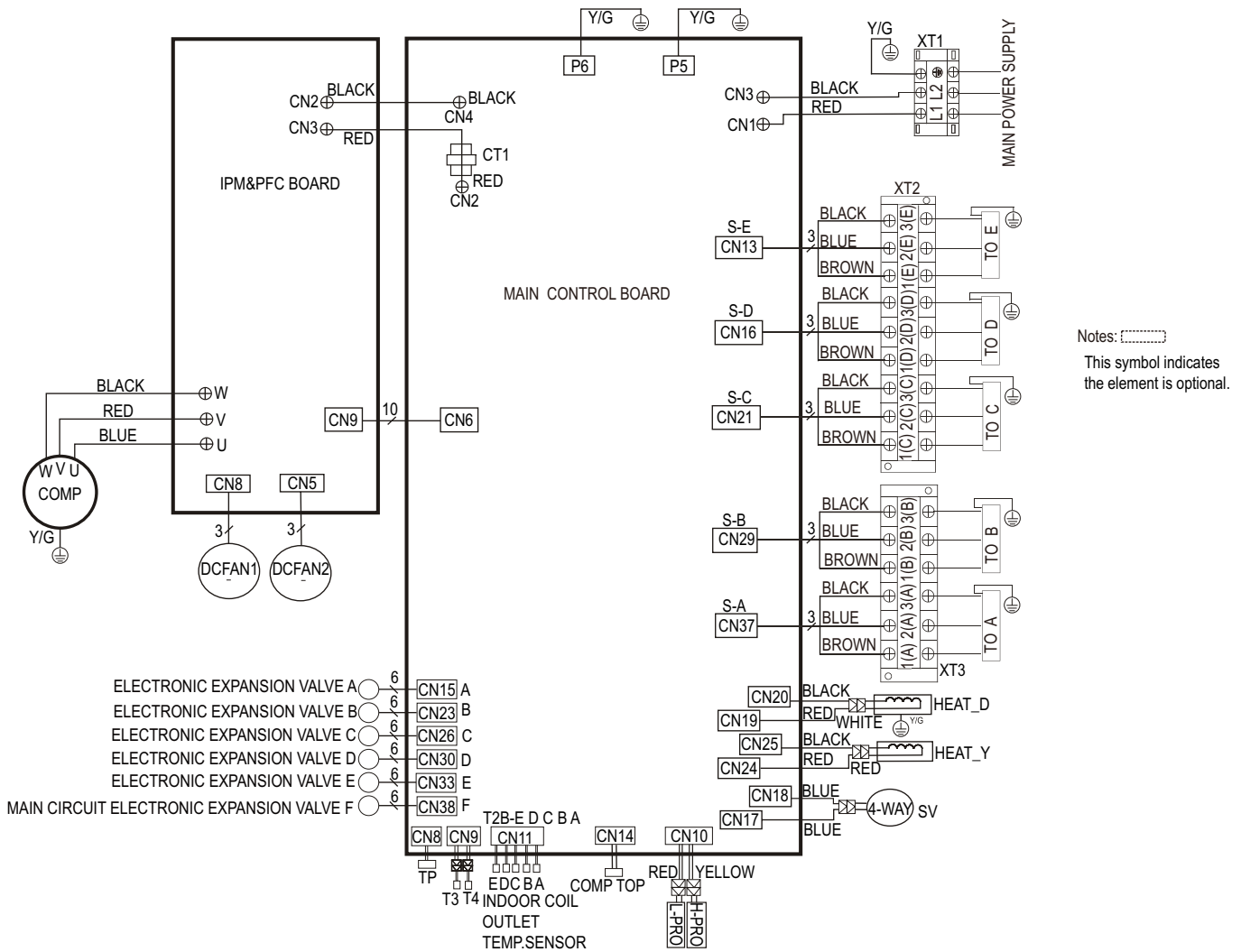


Fig. 6 — Wiring Diagram 48R (Standard) - 5 Zone Max

CODE	OUTDOOR UNIT MAIN BOARD SIZE 48R
CN1~CN3	Input: 230VAC High voltage
CN13,CN16,CN21,CN29,CN37	Output: Pin1 (Connection of the high voltage) "S" Pin2~Pin3 (230VAC High voltage) "L1 & L2"
P5,P6,P9	Connection to the earth
CN17~CN18	Output: 230VAC High voltage --- REVERSING VALUE
CN24~CN25	Output: 230VAC High voltage --- CRANKCASE HEATER
CN19~CN20	Output: 230VAC High voltage --- CHASSIS HEATER
CN11	Input: Pin1, Pin3, Pin5, Pin7, Pin9 (5VDC) Pin2, Pin4, Pin6, Pin8, Pin10 (0-5VDC) indoor coil outlet sensor
CN8	Input: Pin1 (0-5VDC), Pin2 (5VDC)
CN9	Input: Pin3, Pin4 (5VDC), Pin2 (0VDC), Pin1, Pin5 (0-5VDC)
CN15,CN23,CN26 CN30,CN33,CN38	Output: Pin1-Pin4: Pulse waveform (0-12VDC), Pin5, Pin6 (12VDC) to EEV
CN6	Communication: Pin1-Pin6: Pulse waveform (0-5VDC), Pin7, Pin9 (0VDC) Pin8 (0-5VDC), Pin10 (5VDC)--to IPM & PFC board
CN2~CN4	Output: 230VAC High voltage to IPM & PFC Board
CN10	Input: Pin2, Pin4 (0VDC), Pin1, Pin3 (0-5VDC)--H/L Pressure switch
CN14	Input:Pin1(5VDC),Pin2(0-4VDC)--COMP.TOP OLP TEMP.SENSOR

WIRING DIAGRAM (CONT)**48R (Standard) - 5 Zone Max**

CODE	OUTDOOR UNIT PFC AND IPM BOARD SIZE 48R
CN2~CN6	Output: 224-380VDC High voltage
CN9	Communication: Pin1-Pin6: Pulse waveform (0-5VDC), Pin7, Pin9 (0VDC), Pin8 (0-5VDC), Pin10 (5VDC) to the main board
U~V~W	Connect to compressor voltage among phases 0~250VAC
CN8 CN5	Connect to DC FAN voltage among phases 0-200VAC

CODE	PART NAME
COMP	COMPRESSOR
EEV	ELECTRONIC EXPANSION VALVE
DCFAN1, DCFAN2	OUTDOOR DC FAN MOTOR
HEAT_D	CHASSIS HEATER
HEAT_Y	CRANKCASE HEATER
H-PRO	HIGH PRESSURE SWITCH
L-PRO	LOW PRESSURE SWITCH
SV	REVERSING VALVE
TP	COMP. DISCHARGE TEMP. SENSOR
T3	COIL DISCHARGE SENSOR
T4	OUTDOOR AMBIENT TEMP. SENSOR
COMP TOP	COMP.TOP OLP TEMP. SENSOR
T2B	INDOOR COIL OUTLET TEMP SENSOR

WIRING DIAGRAMS (CONT)

Size 48HH (High Heat) - 5 Zone Max

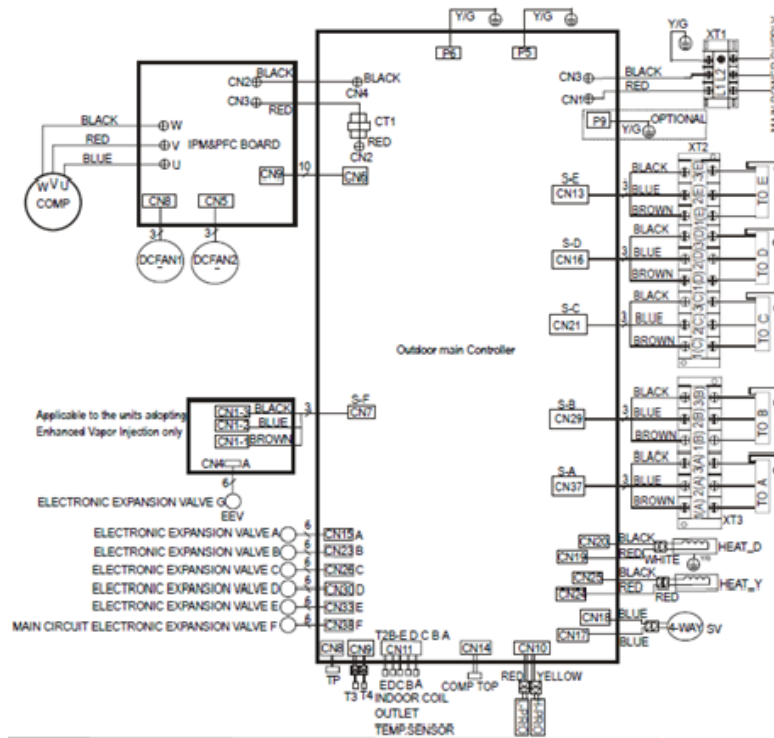


Fig. 7 — Wiring Diagram 48HH (High Heat) - 5 Zone Max

CODE	OUTDOOR UNIT MAIN BOARD SIZE 48R
CN1~CN3	Input: 230VAC High voltage
CN13,CN16,CN21,CN29,CN37	Output: Pin1 (Connection of the high voltage) "S" Pin2~Pin3 (230VAC High voltage) "L1 & L2"
P5,P6,P9	Connection to the earth
CN17~CN18	Output: 230VAC High voltage --- REVERSING VALUE
CN24~CN25	Output: 230VAC High voltage --- CRANKCASE HEATER
CN19~CN20	Output: 230VAC High voltage --- CHASSIS HEATER
CN11	Input: Pin1, Pin3, Pin5, Pin7, Pin9 (5VDC) Pin2, Pin4, Pin6, Pin8, Pin10 (0-5VDC) indoor coil outlet sensor
CN8	Input: Pin1 (0-5VDC), Pin2 (5VDC)
CN9	Input: Pin3, Pin4 (5VDC), Pin2 (0VDC), Pin1, Pin5 (0-5VDC)
CN15,CN23,CN26 CN30,CN33,CN38	Output: Pin1-Pin4: Pulse waveform (0-12VDC), Pin5, Pin6 (12VDC) to EEV
CN6	Communication: Pin1-Pin6: Pulse waveform (0-5VDC), Pin7, Pin9 (0VDC) Pin8 (0-5VDC), Pin10 (5VDC)--to IPM & PFC board
CN2~CN4	Output: 230VAC High voltage to IPM & PFC Board
CN10	Input: Pin2, Pin4 (0VDC), Pin1, Pin3 (0-5VDC)--H/L Pressure switch
CN14	Input:Pin1(5VDC),Pin2(0-4VDC)--COMP.TOP OLP TEMP.SENSOR
CN7	OutputPin1(Connector of the high voltage) "S"Pin2-Pin3(230VAC) High voltage)"L1&L2"

CODE	OUTDOOR UNIT PFC AND IPM BOARD SIZE 48R
CN2~CN3	Input: 224-380VAC High voltage
CN9	Communication: Pin1-Pin6: Pulse waveform (0-5VDC), Pin7, Pin9 (0VDC), Pin8 (0-5VDC), Pin10 (5VDC) to the main board
U~V~W	Connect to compressor voltage among phases 0~250VAC
CN8 CN5	Connect to DC FAN voltage among phases 0-200VAC

CODE	EVI BOARD
CN1-1-CN1-2	Input: 230VAC High voltage
CN1-3	Input: (Connection of the high voltage) "S"
CN4	Output:Pin1,Pin4 Pulse waveform(0-12VDC),Pin5,Pin6(12VDC) to EEV

WIRING DIAGRAMS (CONT)**Size 48HH**

CODE	PART NAME
COMP	COMPRESSOR
CT1	AC CURRENT DETECTOR
EEV	ELECTRONIC EXPANSION VALVE
DC FAN1	OUTDOOR DC FAN MOTOR
HEAT_D	CHASSIS HEATER
HEAT_Y	CRANKCASE HEATER
H-PRO	HIGH PRESSURE SWITCH
L-PRO	LOW PRESSURE SWITCH
SV	REVERSING VALVE
TP	COMP. DISCHARGE TEMP. SENSOR
COMP TOP	COMP. TOP OLP TEMP SENSOR
T2B	INDOOR COIL OUTLET TEMP SENSOR

a.

MULTI-ZONE HEAT PUMP HORIZONTAL DISCHARGE OUTDOOR DUCTLESS SYSTEM

Size Range: 1 1/2, 2, 2 1/2, 3 and 4 Ton Nominal Cooling and Heating Capacity
Model Number: **DLCMRBH / DLCMHBH**

Part 1 - General

1.01 System Description

- a. Outdoor air-cooled split system compressor sections suitable for on-the-ground, rooftop, wall hung or balcony mounting. Units consist of a variable speed rotary compressor, an air-cooled coil, propeller-type draw-through outdoor fan, reversing valve, accumulator, electronic expansion valves, multiple service valves, and controls that allow multiple indoor units to be connected to the outdoor unit. Units discharge horizontally as shown on the contract drawings. Units function as the outdoor component of an air-to-air heat pump system.
- b. Units are designed for use in a refrigeration circuit matched to two, three, four, or five multi style heat pump fan coil units.

1.02 Agency Listings

- a. Unit construction complies with ANSI/ASHRAE 15, latest revision, and with the NEC.
- b. Units are evaluated in accordance with the UL standard 1995.
- c. Units are listed in CEC directory.
- d. Unit cabinet is capable of withstanding the 500-hour salt spray test per Federal Test Standard no. 141 (method 6061).
- e. Air-cooled condenser coils are leak tested at 550 psig.

1.03 Delivery, Storage, And Handling

Units are shipped in one piece and are stored and handled per the manufacturer's recommendations.

1.04 Warranty (For Inclusion By Specifying Engineer)

Part 2 - Products

2.01 Equipment

1. General:

Factory assembled, single piece, air-cooled outdoor unit. Contained within the enclosure are the factory wiring, piping, controls, and the compressor.

2. Unit Cabinet:

- a. The unit cabinet is constructed of galvanized steel, bonderized and coated with baked-enamel finish on the inside and outside.
- b. The unit access panel is removable and provides full access to the compressor, fan, and the control components.
- c. The outdoor compartment is isolated and has an acoustic lining to assure a quiet operation.

3. Fans:

- a. The outdoor fans are direct-drive propeller type, and discharge air horizontally. The fan draws air through the outdoor coil.
- b. Outdoor fan motors are multi-speed, totally-enclosed, single phase motors with permanently lubricated ball bearings. The motor is protected by internal thermal overload protection.
- c. The shaft has an inherent corrosion resistance.
- d. Outdoor fan openings are equipped with a metal/mesh PVC coated protection grille over the fan.

4. Compressor:

- a. The compressor is the fully hermetic variable speed rotary type.
- b. The compressor is inverter driven.
- c. The compressor is equipped with an oil system, operating oil charge, and motor.
- d. The motor is suitable for operation in a refrigerant and oil atmosphere.
- e. The compressor assembly is installed on rubber vibration isolators.
- f. The inverter and compressor are protected against over temperature and over current.

5. Outdoor Coil:

The coil is constructed of aluminum golden hydrophilic pre-coated fins mechanically bonded to seamless copper tubes, which are cleaned, dehydrated and sealed.

6. Refrigerant Components:

Refrigerant circuit components include multiple brass external liquid line service valves with a service gauge connection port, multiple suction line service valves with a service gage connection port, accumulator, reversing valve, and electronic expansion valves.

7. Safeties:

Operating safeties are factory selected, assembled, and tested. The minimum functions include the following:

- a. Compressor discharge over temperature protection.
- b. System low voltage protection.
- c. Compressor overload protection.
- d. Compressor over current protection.
- e. IPM module protection.

8. Electrical Requirements:

- a. Units operate on single-phase, 60 Hz power at 208/230v.
- b. The unit electrical power is a single point connection.
- c. All power and control wiring must be installed per NEC and all local electrical codes.
- d. Units have multiple terminal blocks to connect to multiple indoor units.